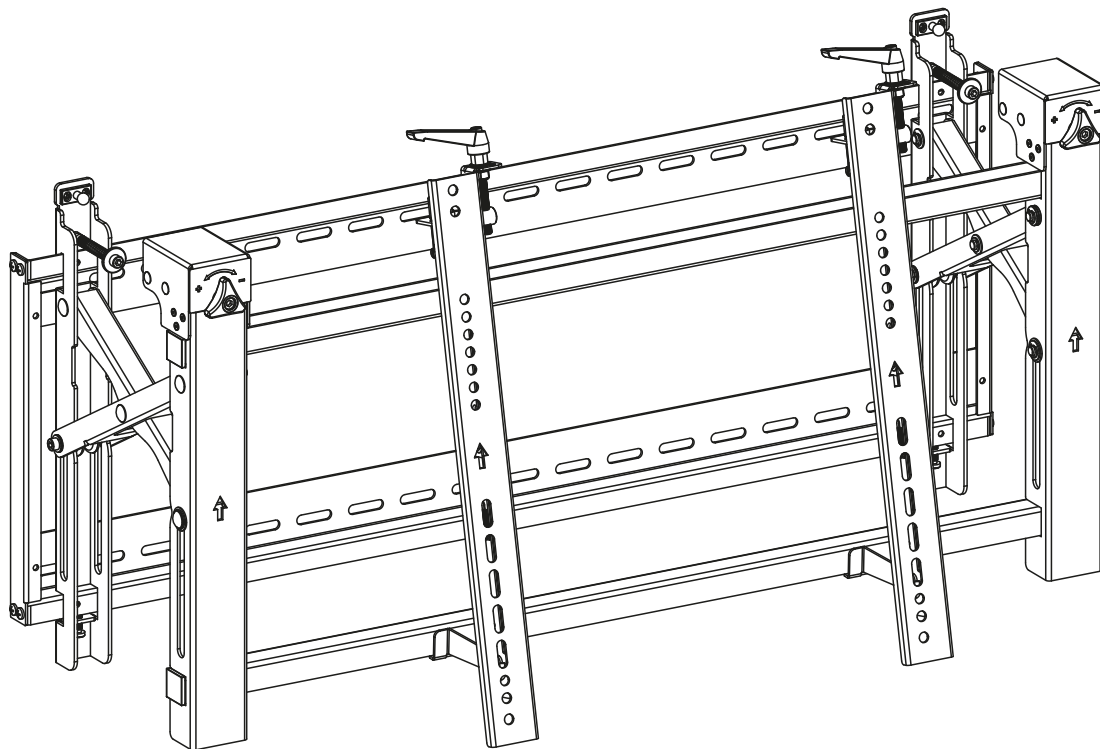



# MANUAL DE INSTALACIÓN



**SKU: VW246T**

**EN**  Read the entire instruction manual before you start installation and assembly. If you have any questions regarding any of the instructions or warnings, please contact your local distributor for assistance.



**CAUTION:** Use with products heavier than the rated weights indicated may result in instability causing possible injury.

• Mounts must be attached as specified in assembly instructions. Improper installation may result in damage or serious personal injury.

• Safety gear and proper tools must be used. This product should only be installed by professionals.

• Make sure that the supporting surface will safely support the combined weight of the equipment and all attached hardware and components.

• Use the mounting screws provided and DO NOT OVER TIGHTEN mounting screws.

• This product contains small items that could be a choking hazard if swallowed. Keep these items away from children.

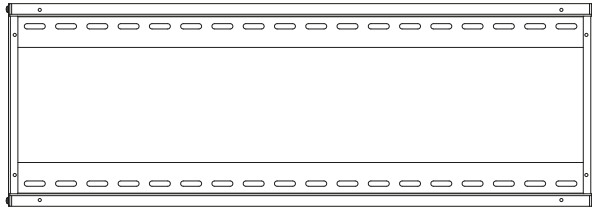
• This product is intended for indoor use only. Using this product outdoors could lead to product failure and personal injury.

**IMPORTANT:** Ensure that you have received all parts according to the component checklist prior to installation. If any parts are missing or faulty, telephone your local distributor for a replacement.

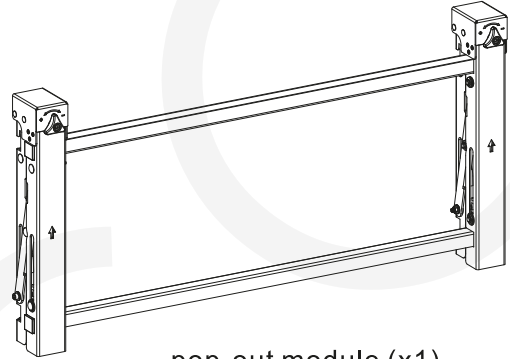
**MAINTENANCE:** Check that the bracket is secure and safe to use at regular intervals (at least every three months).

# Component Checklist

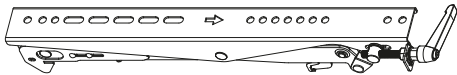
**IMPORTANT:** Ensure that you have received all parts according to the component checklist prior to installation. If any parts are missing or faulty, telephone your local distributor for a replacement.



wall plate (x1)  
A



pop-out module (x1)  
B



adapter bracket (x2)  
C



antiskid block (x2)  
D

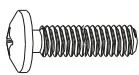


plastic locking piece (x2)  
E

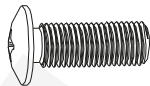


Allen key (x1)  
F

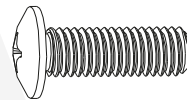
## Package M



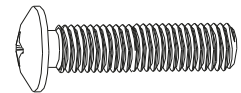
M5x14 (x4)  
M-A



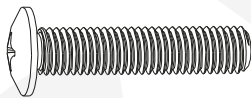
M6x14 (x4)  
M-B



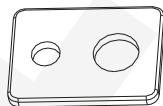
M8x20 (x4)  
M-C



M6x30 (x4)  
M-D



M8x30 (x4)  
M-E



washer (x4)  
M-F

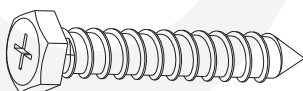


small spacer (x8)  
M-G

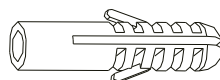


big spacer (x4)  
M-H

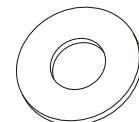
## Package W



ST6.3x55 (x6)  
W-A

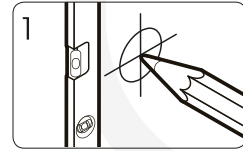
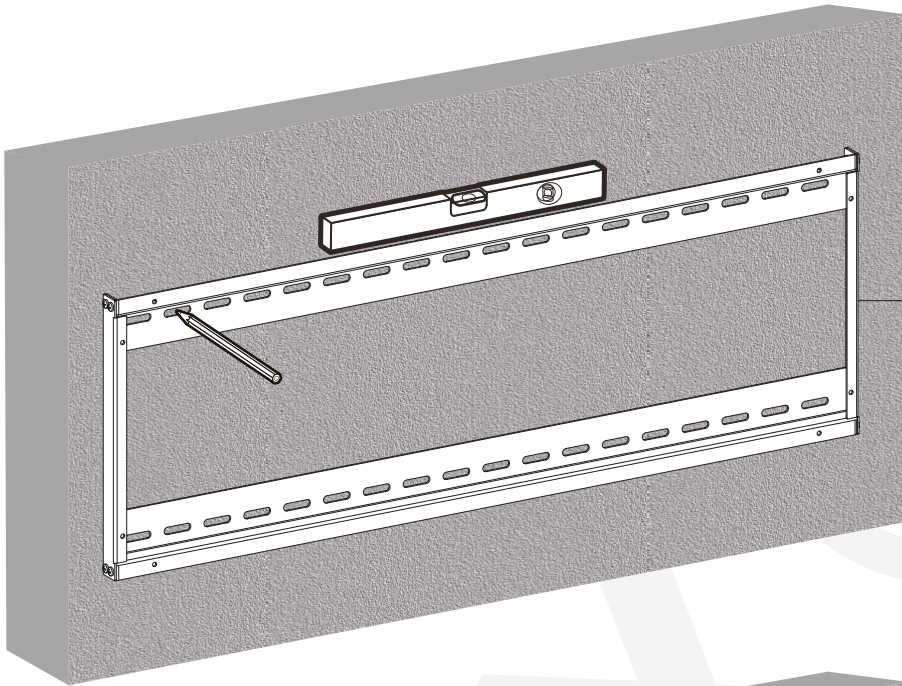
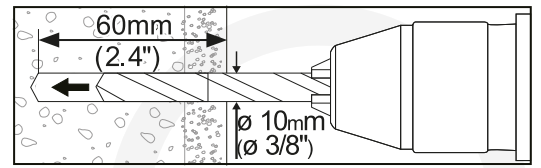
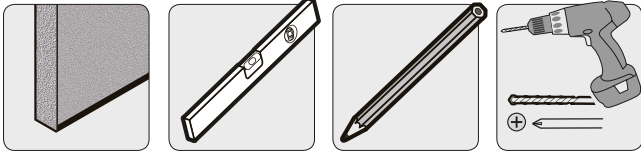


concrete anchor (x6)  
W-B

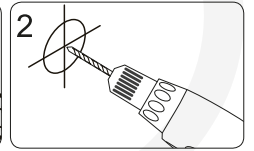


D6 washer (x6)  
W-C

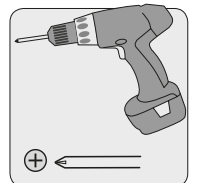
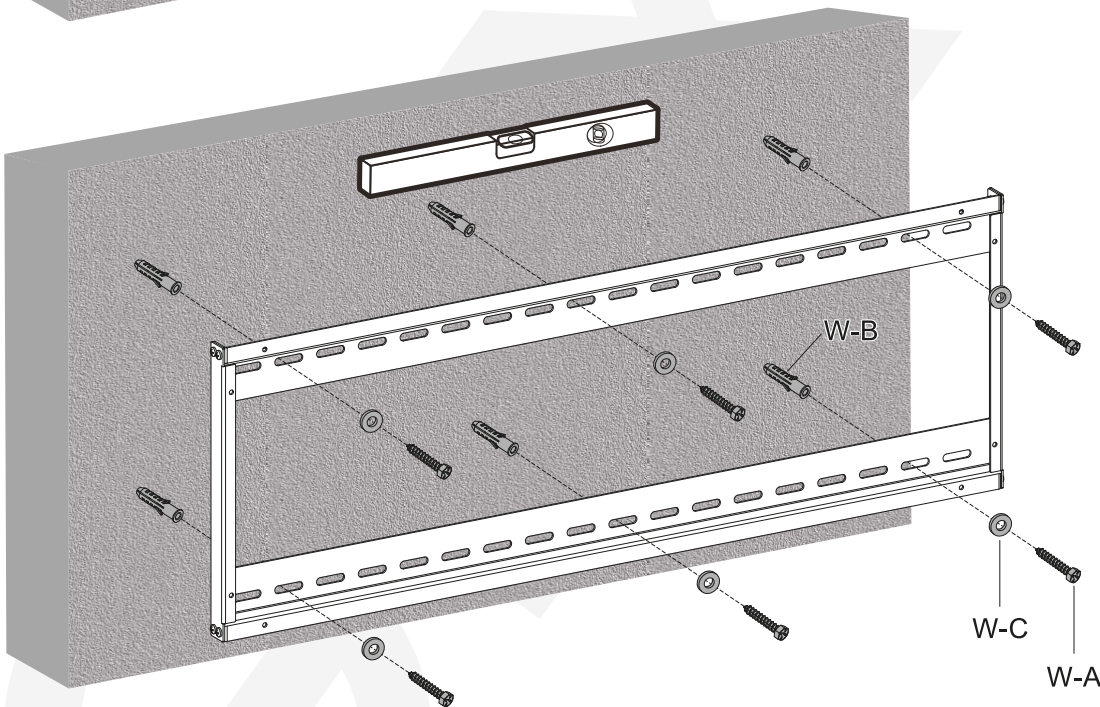
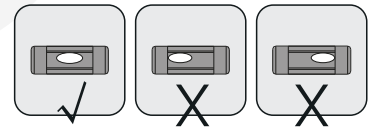
# 1. For Solid Brick and Concrete Wall Mounting



1  
Mark the exact location of mounting holes



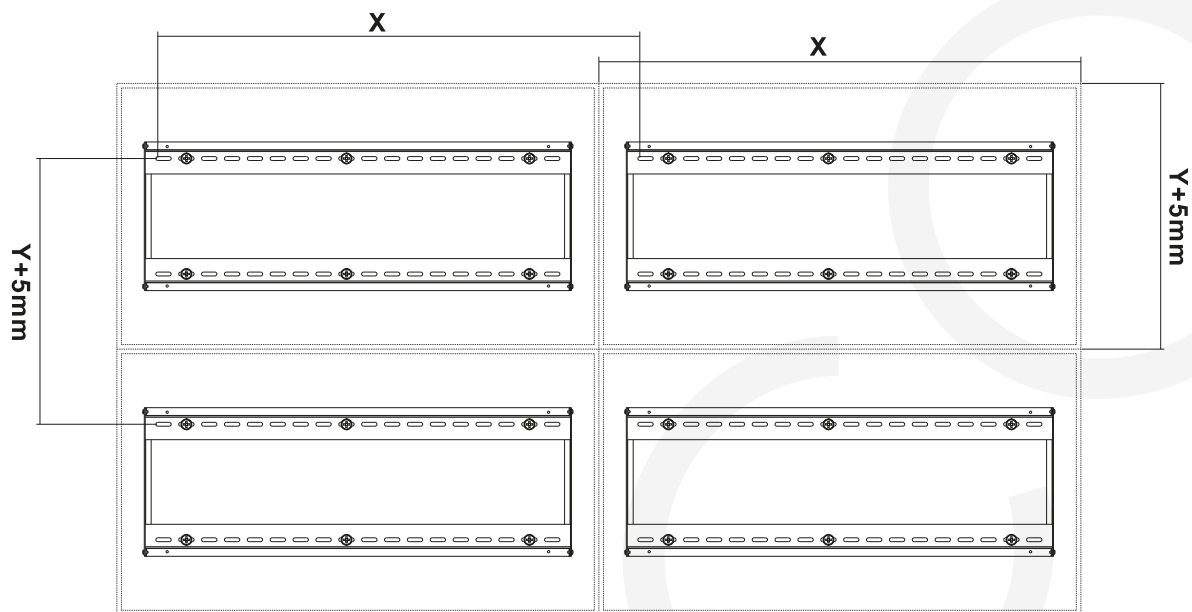
2  
Drill pilot holes



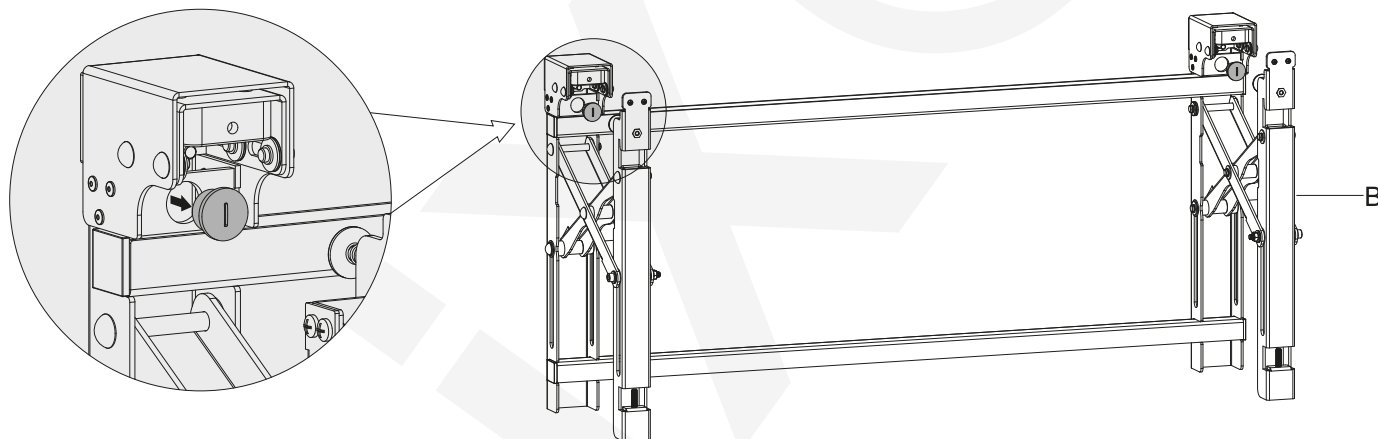
Screw the wall plate onto the wall

## 2. For Video Wall Installation (Mounting space as shown below)

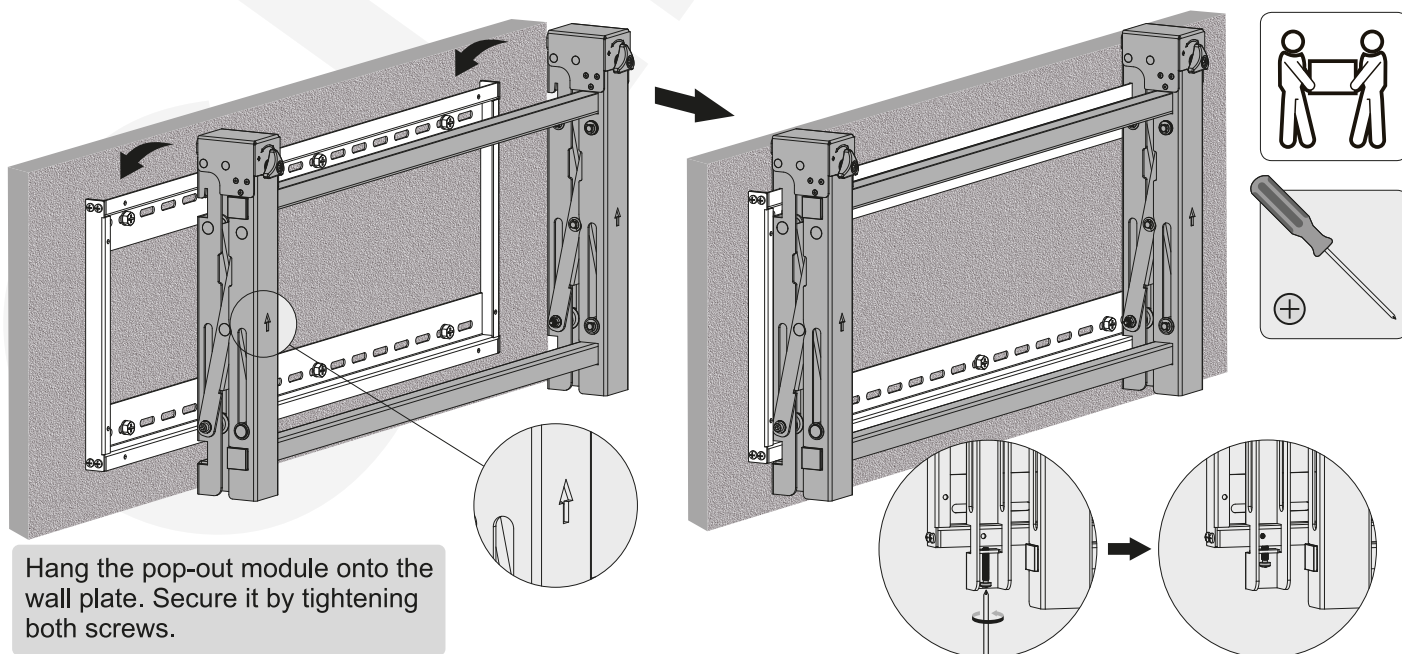
X=Length of display    Y=Height of display



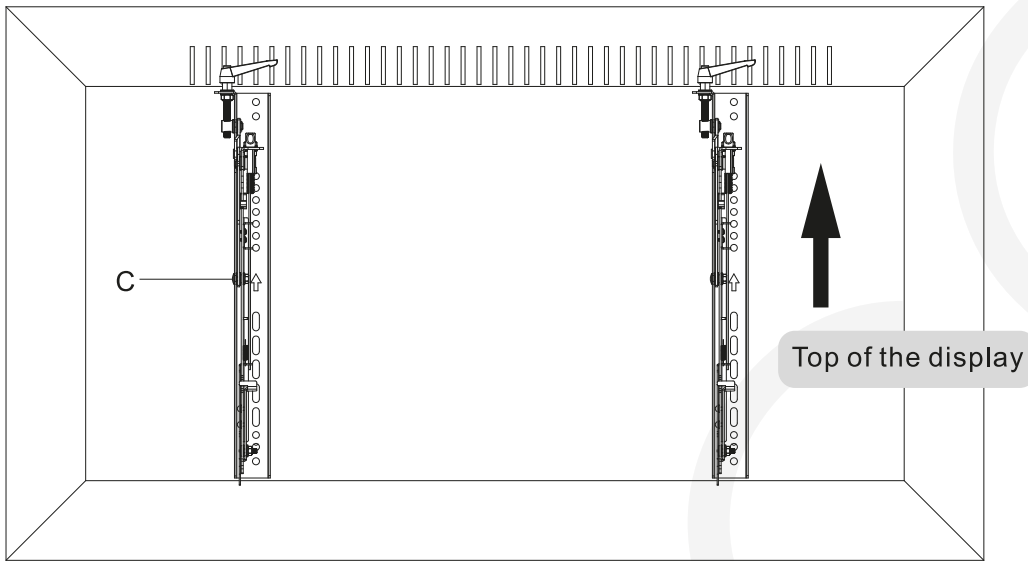
## 3. Installing the Pop-out Module



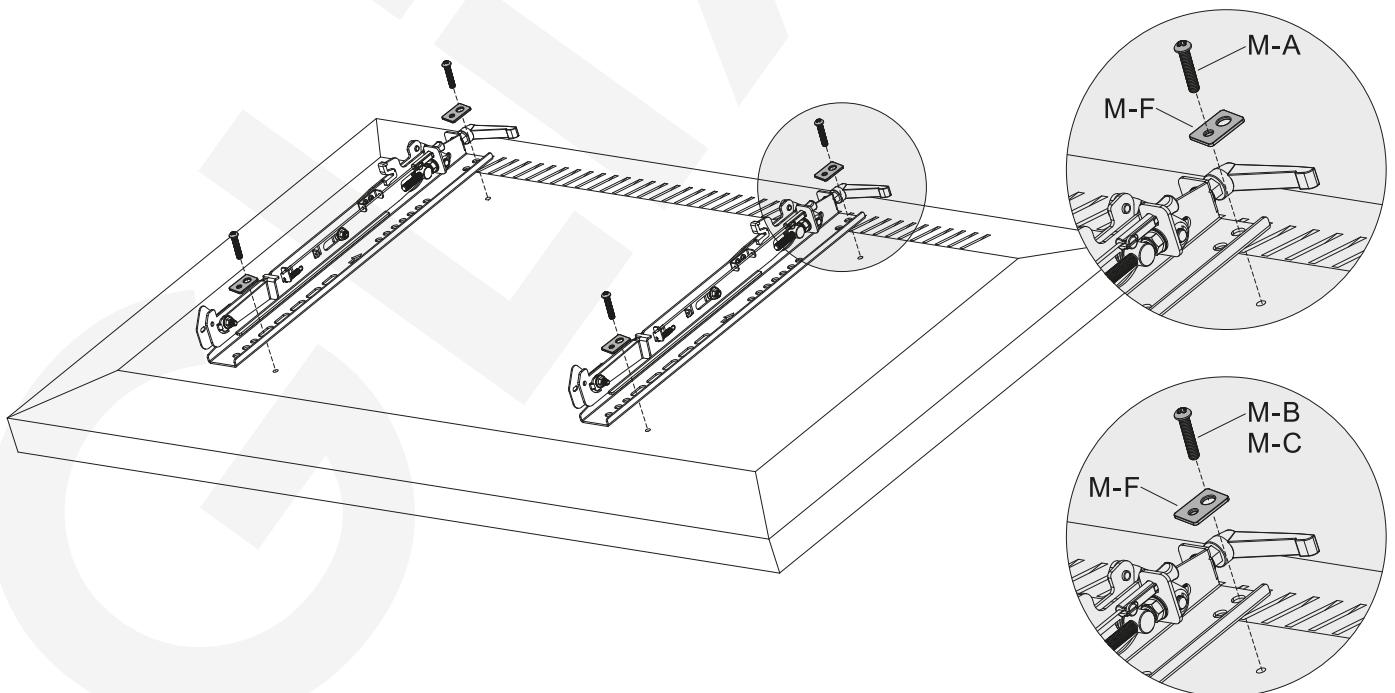
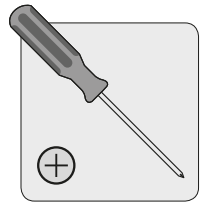
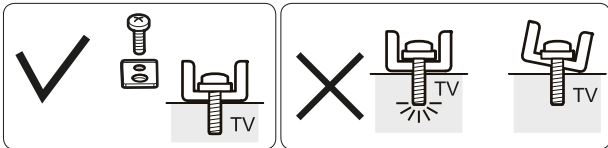
Please take off the caps before installing the pop-out module.



## 4. Installing the Adapter Brackets

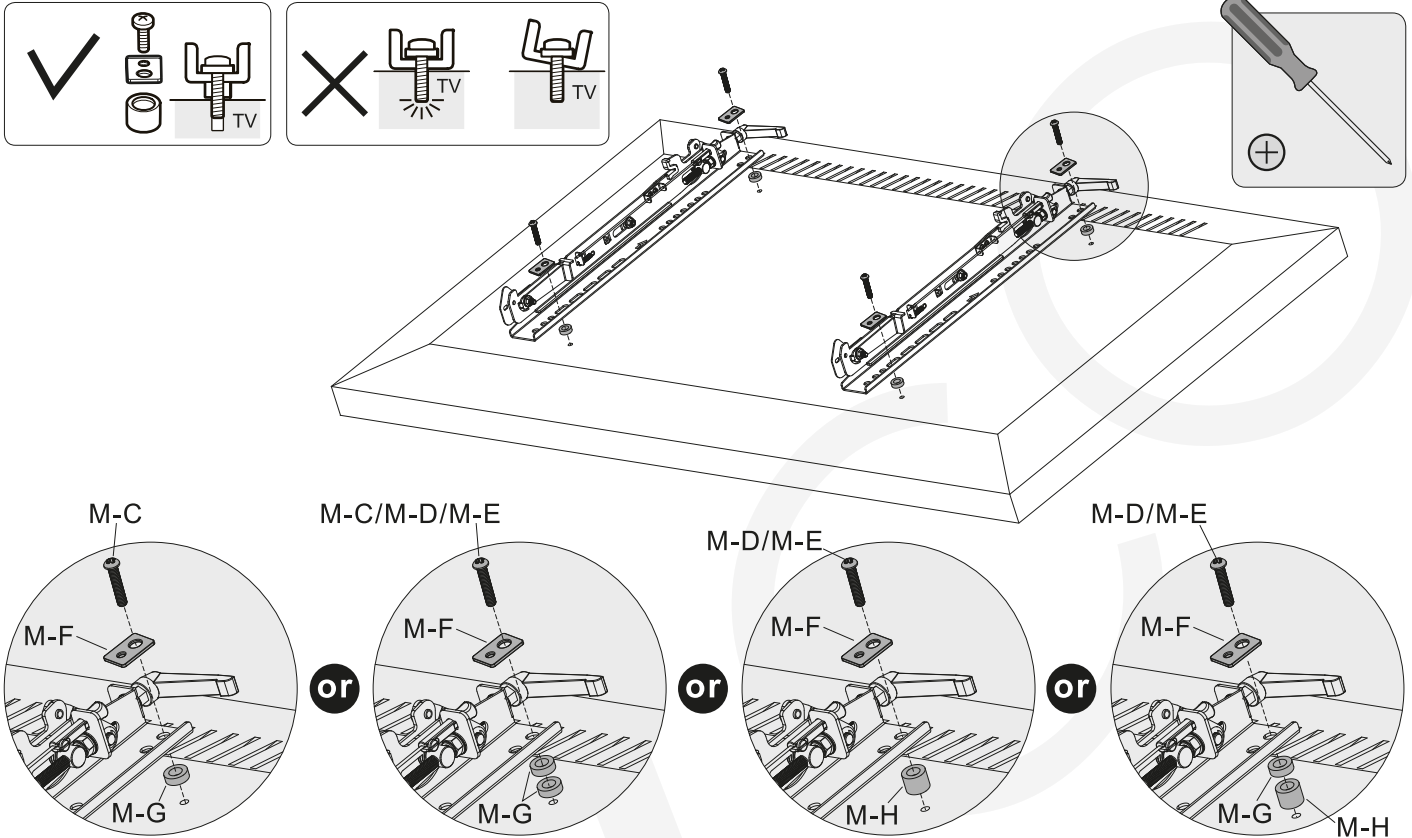


### 4-1 For Flat Back Screens





## 4-2. For Bump-out or Recessed Back Screens

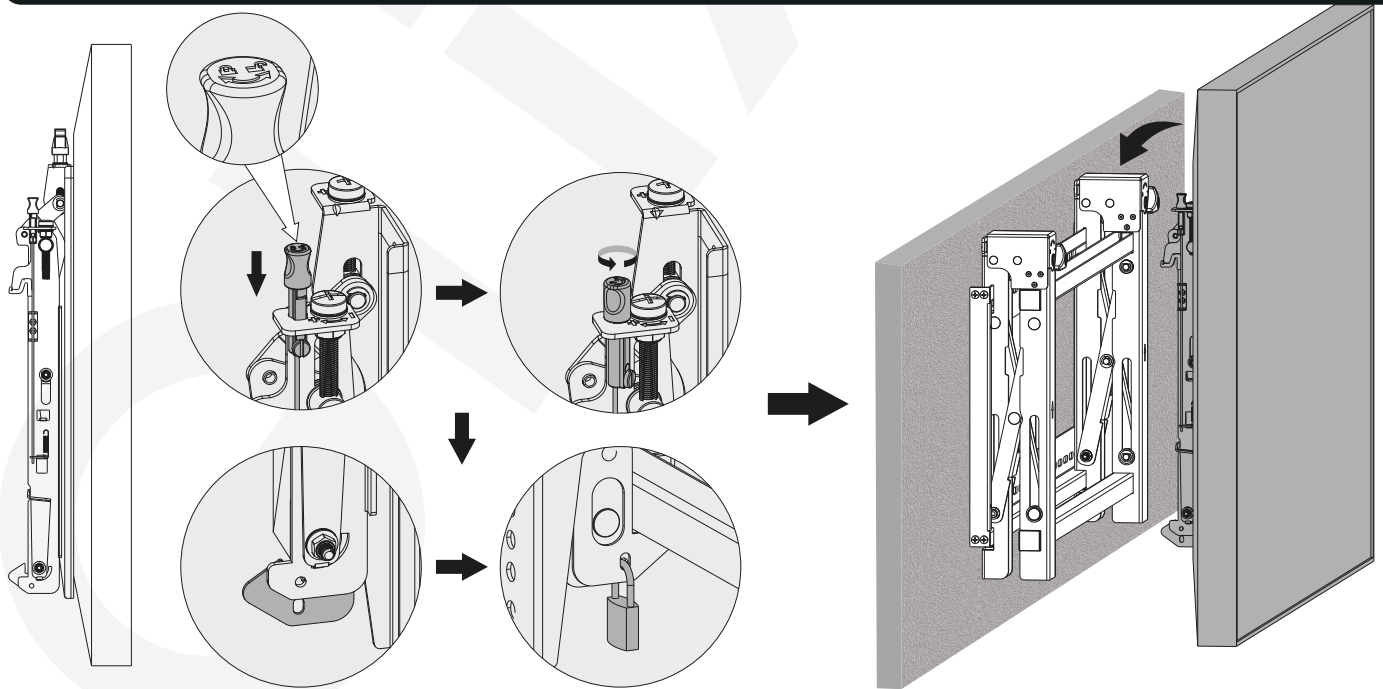


**Note:** Choose the appropriate screws, washers and spacers (if necessary) according to the type of screen.

- Position the adapter brackets as close as possible to the center of the display.
- Screw the adapter brackets onto the display.

 **Tighten all screws but do not over tighten.**

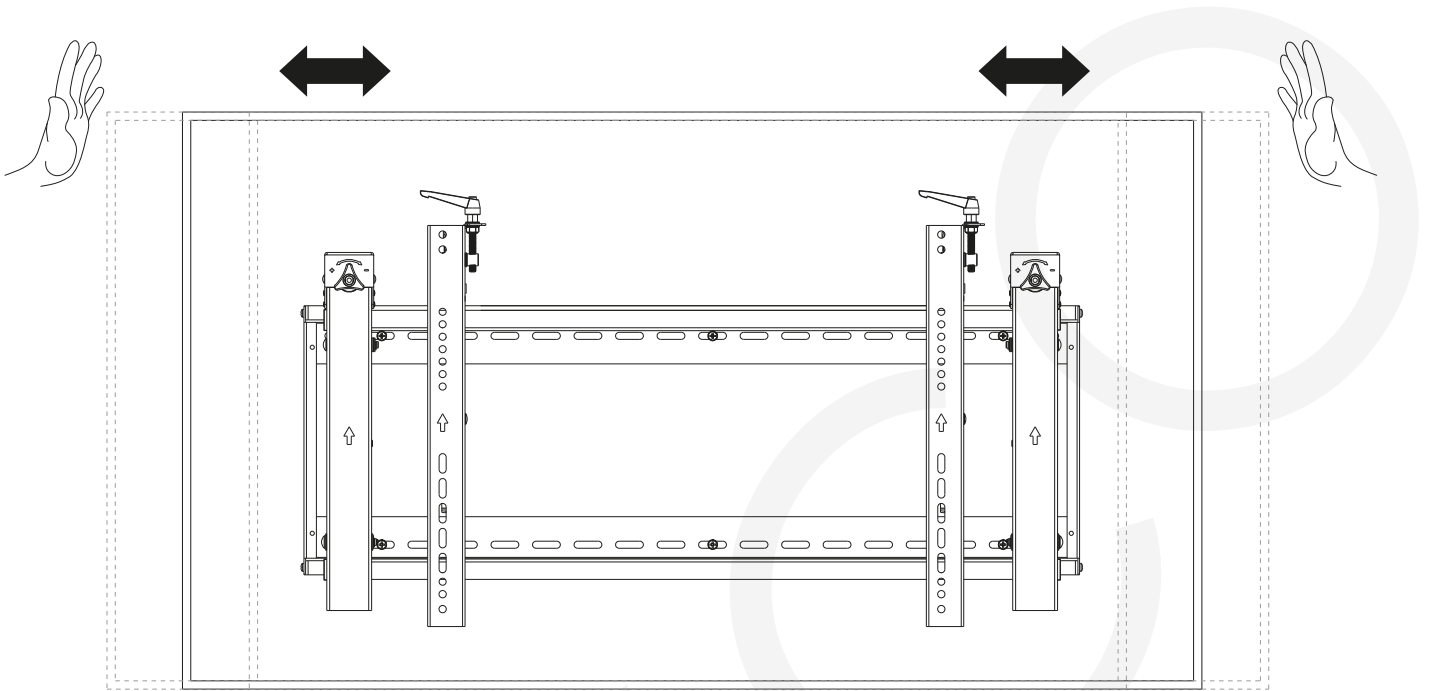
## 5. Hooking the Display onto the Pop-out Module



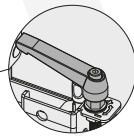
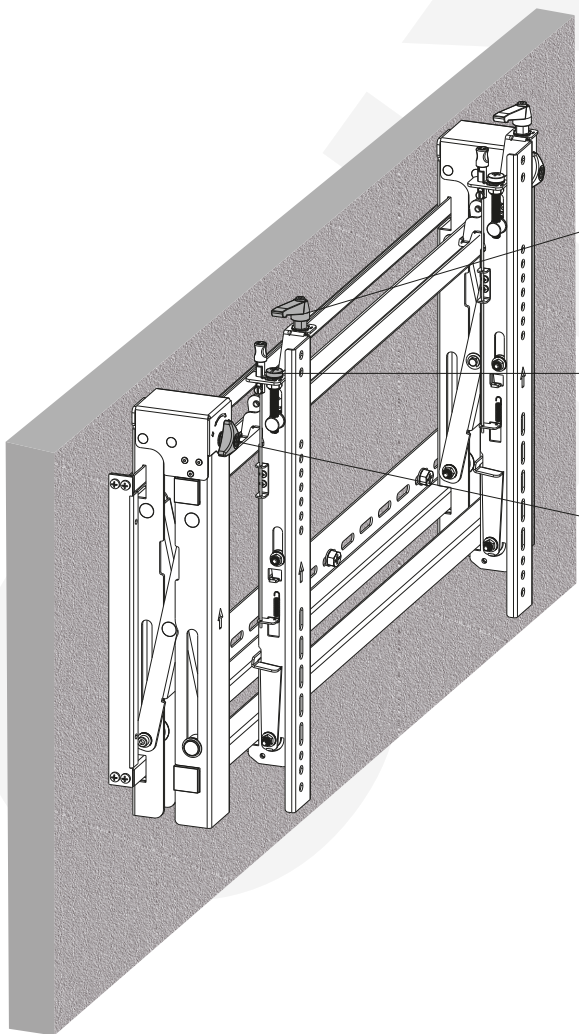
**Note:** Before hooking the display, make sure the knobs are rotated to the unlock position.

- Lift the display carefully and hook the display onto the pop-out module. Rotate the knobs to the lock position to secure the display.
- Use the padlock to prevent the display from being stolen. ( Padlock is not included)

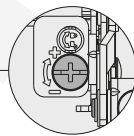
## 6. Adjustment



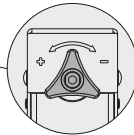
Push the display to left or right to enable fast alignment.



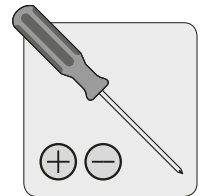
Handles for tilt adjustment.

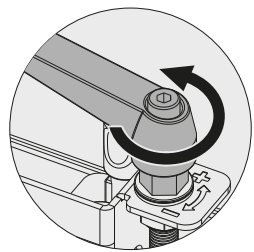


Screws for micro-adjustment of up and down.

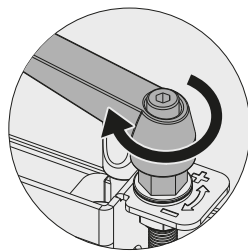
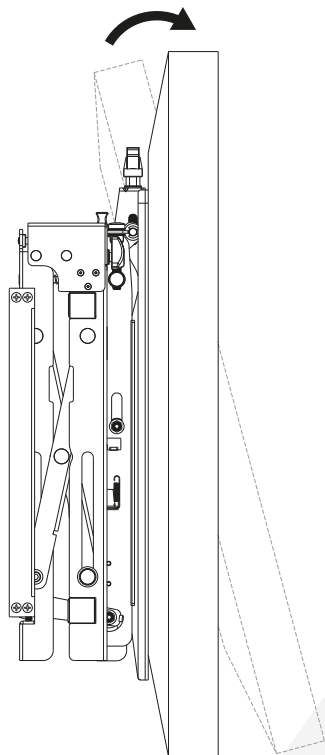


Knobs for micro-adjustment of in and out.

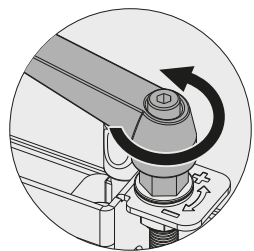
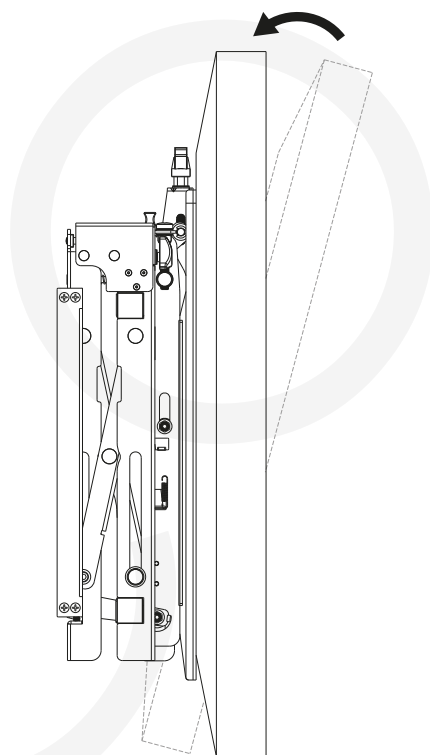




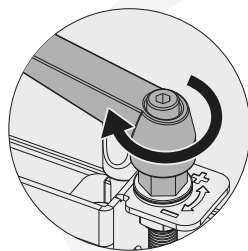
**Left**



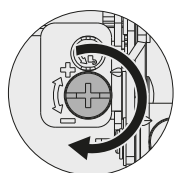
**Left**



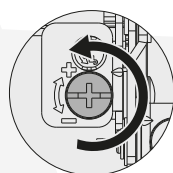
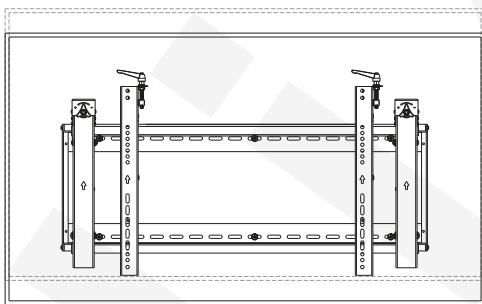
**Right**



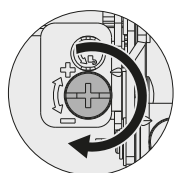
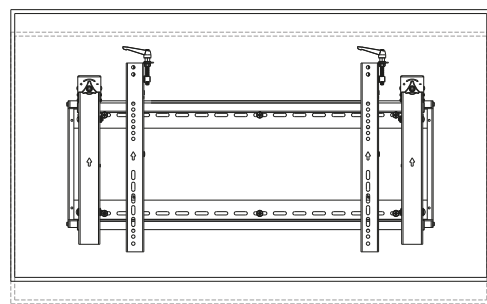
**Right**



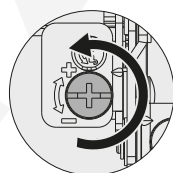
**Left**



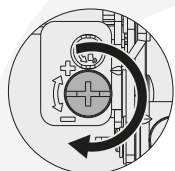
**Left**



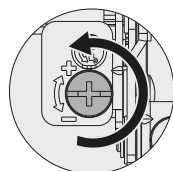
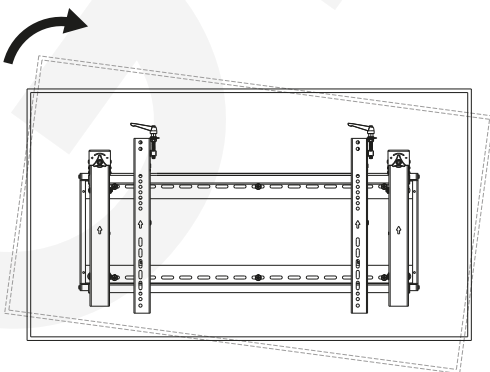
**Right**



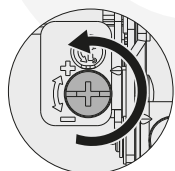
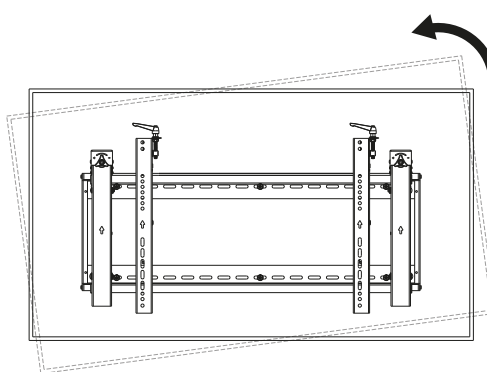
**Right**



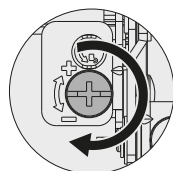
**Left**



**Left**

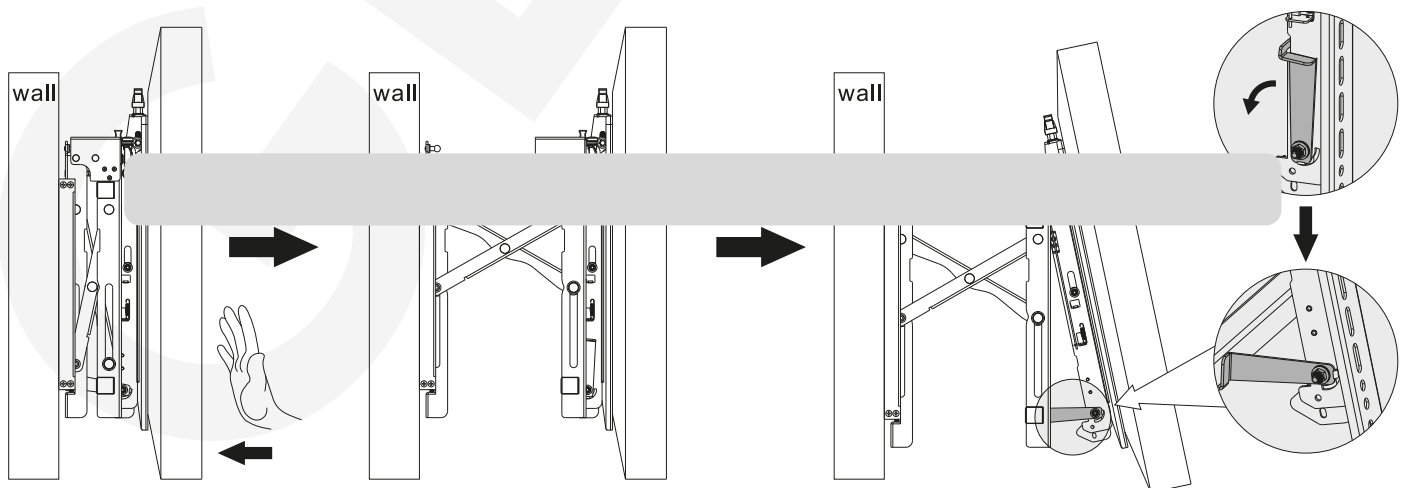
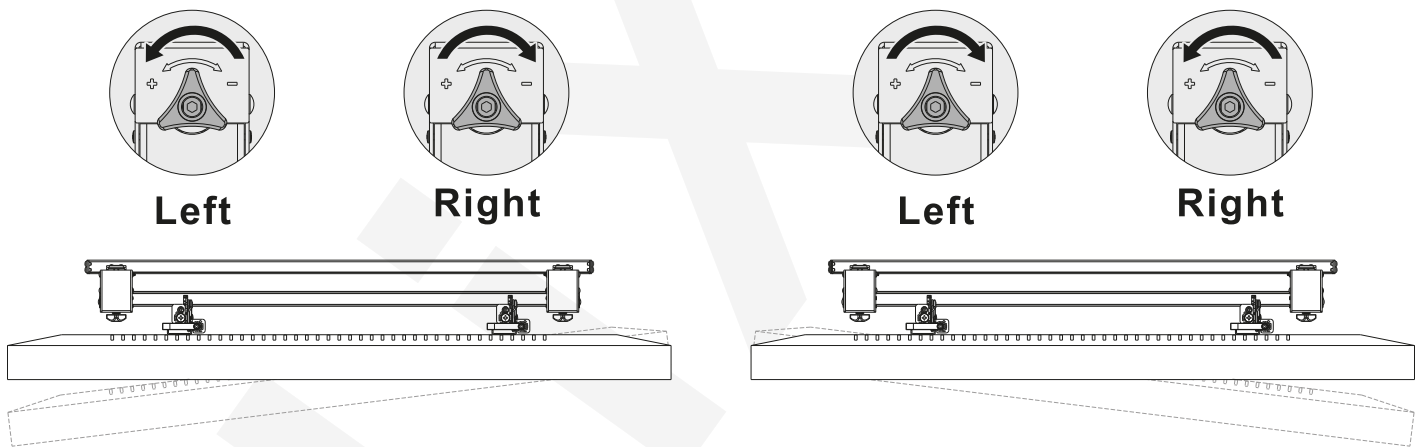
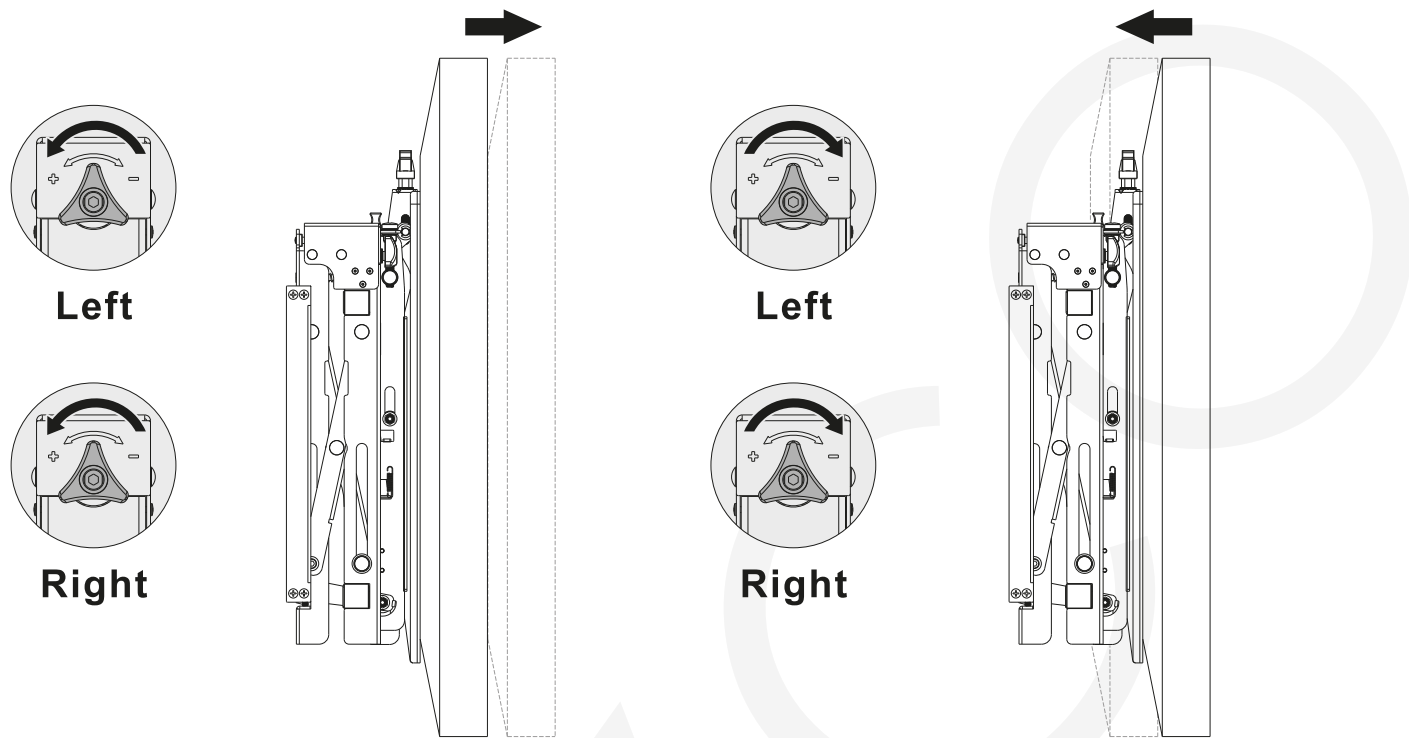


**Right**



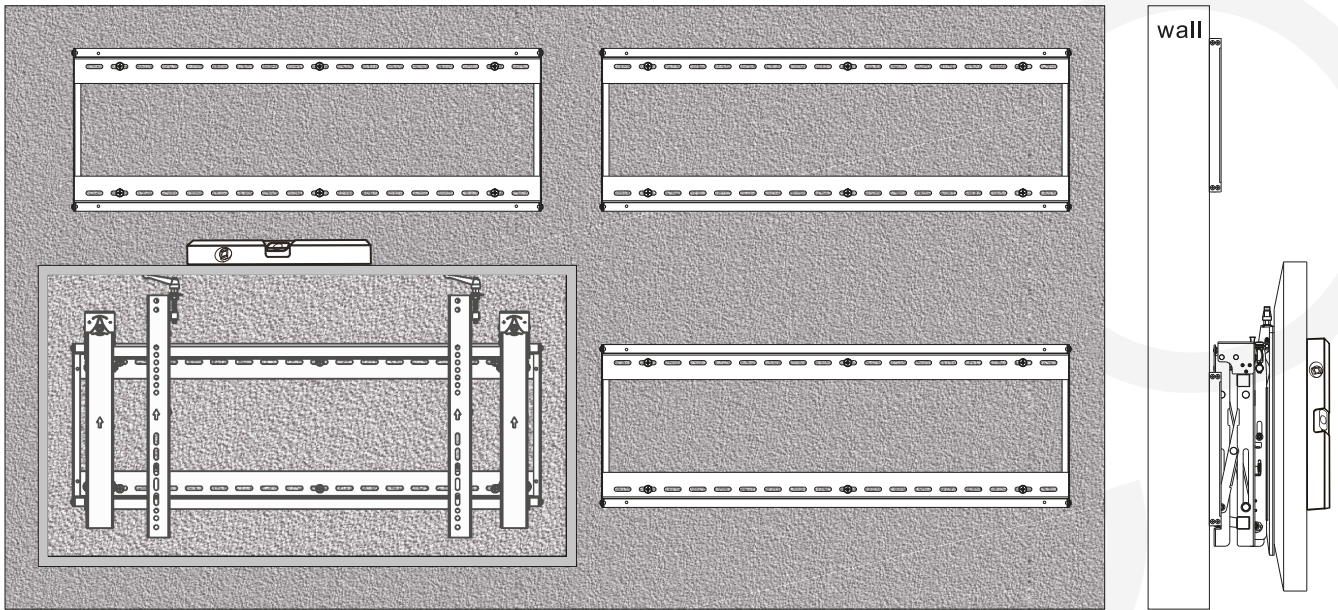
**Right**





Push the display inward and then release it, the display will be pop-out.  
 Kickstands provide tilt access for easy cables management and maintenance.

## 7. Level the Displays



Adjust the display to keep level in vertical and horizontal directions.

