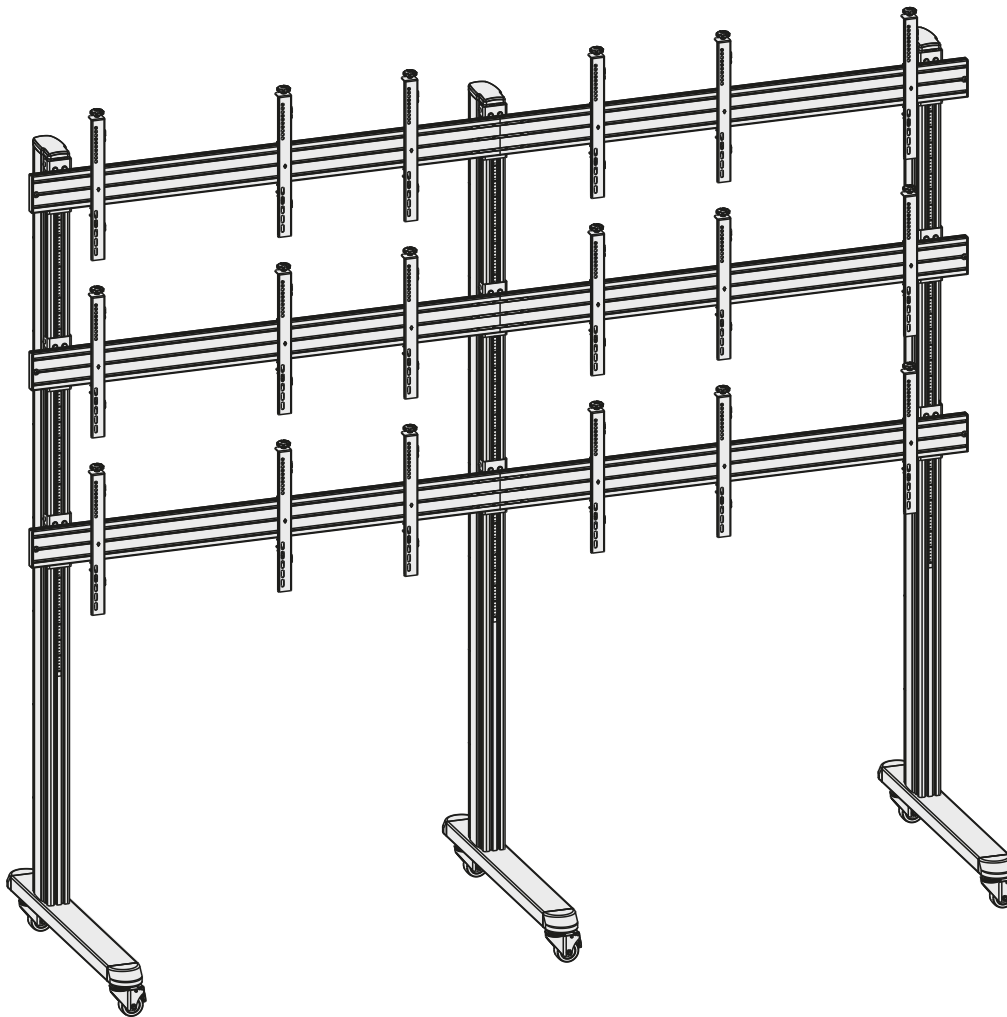



MANUAL DE INSTALACIÓN



SKU: VW02946FW

EN  Read the entire instruction manual before you start installation and assembly. If you have any questions regarding any of the instructions or warnings, please contact your local distributor for assistance.



CAUTION: Use with products heavier than the rated weights indicated may result in instability causing possible injury.

• Mounts must be attached as specified in assembly instructions. Improper installation may result in damage or serious personal injury.

• Safety gear and proper tools must be used. This product should only be installed by professionals.

• Make sure that the supporting surface will safely support the combined weight of the equipment and all attached hardware and components.

• Use the mounting screws provided and DO NOT OVER TIGHTEN mounting screws.

• This product contains small items that could be a choking hazard if swallowed. Keep these items away from children.

• This product is intended for indoor use only. Using this product outdoors could lead to product failure and personal injury.

IMPORTANT: Ensure that you have received all parts according to the component checklist prior to installation. If any parts are missing or faulty, telephone your local distributor for a replacement.

MAINTENANCE: Check that the bracket is secure and safe to use at regular intervals (at least every three months).

Component Checklist



mounting rail (x6)
A



connecting plate (x9)
B



cable clip (x18)
C



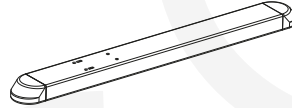
TV bracket (x18)
D



column (x3)
E



support stem (x3)
F



base (x3)
G



end cap (x6)
H



caster (x6)
I



cable cover (x24)
J



end cap (x3)
K



sliding nut (x78)
L



M8x90 (x12)
M



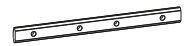
M8x12 (x72)
N



M8x10 (x6)
O



D8 washer (x6)
P



connecting bar (x9)
Q



M6 (x36)
R



3mm Allen Key (x1)
S



5mm Allen Key (x1)
T

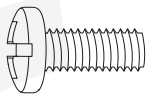


6mm Allen Key (x1)
U

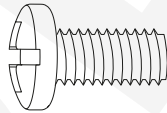


Hexagon Wrench (x1)
V

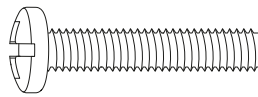
Package Mx9



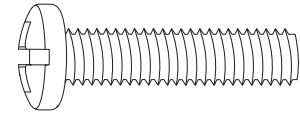
M6x14 (x4)
M-A



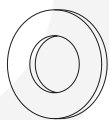
M8x16 (x4)
M-B



M6x30 (x4)
M-C



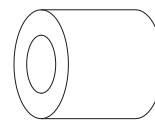
M8x35 (x4)
M-D



D8 (x4)
M-E

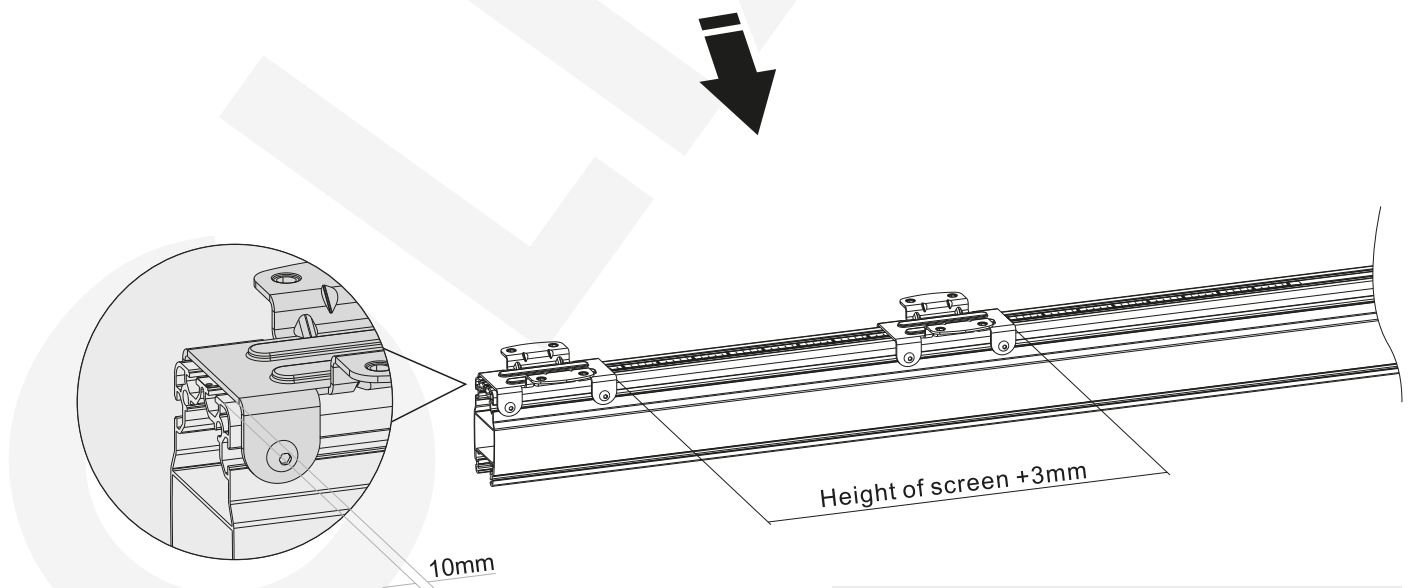
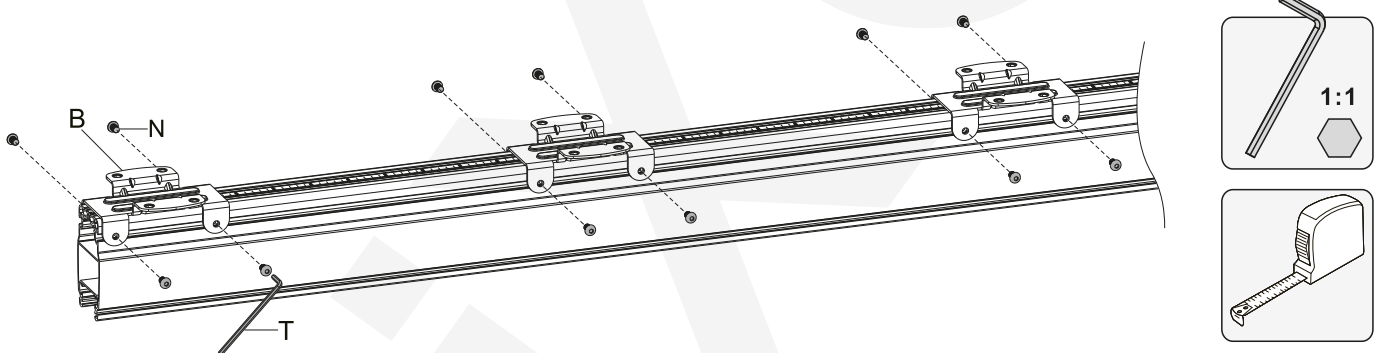
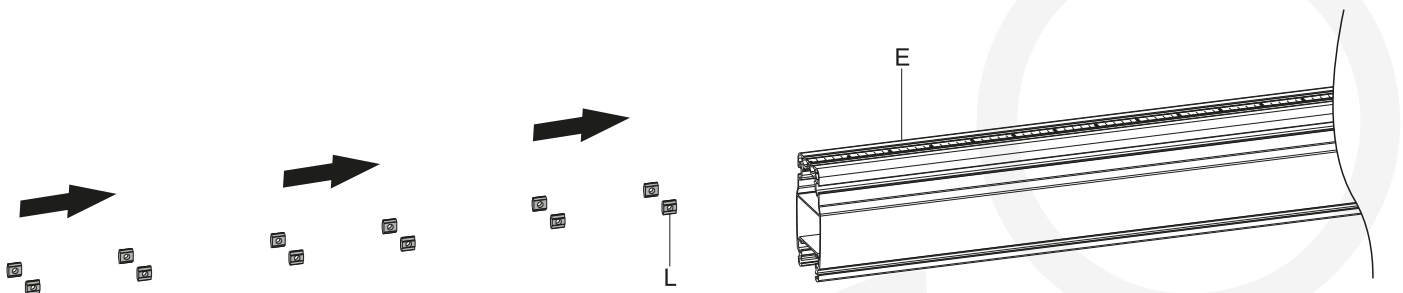


Ø15xØ8x5 (x4)
M-F



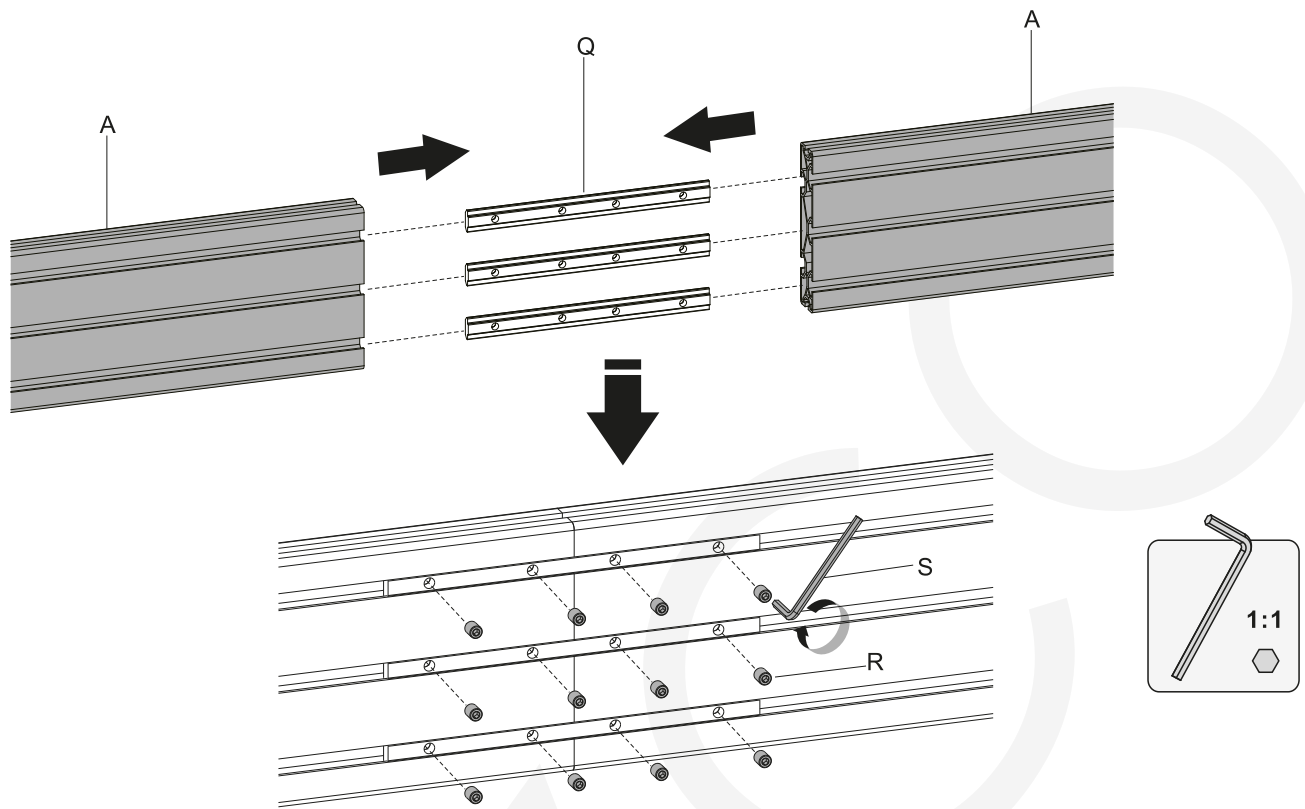
Ø15xØ8x15 (x4)
M-G

1. Attach Connecting Plate to the Column

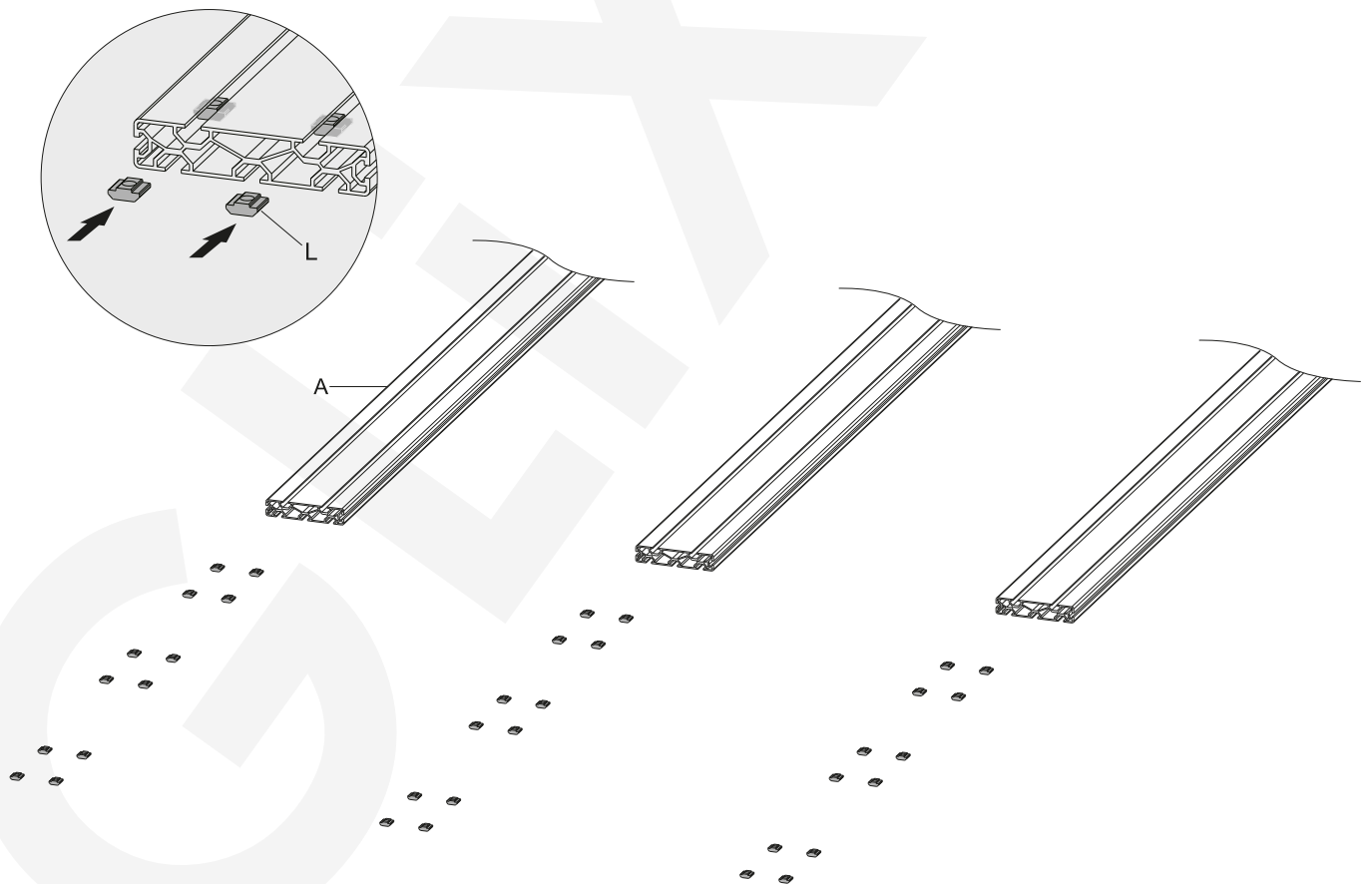


Note: The space apart the connect plates is the height of the screen plus and extra 3 mm.

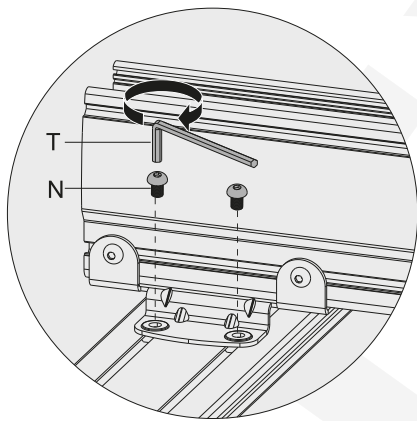
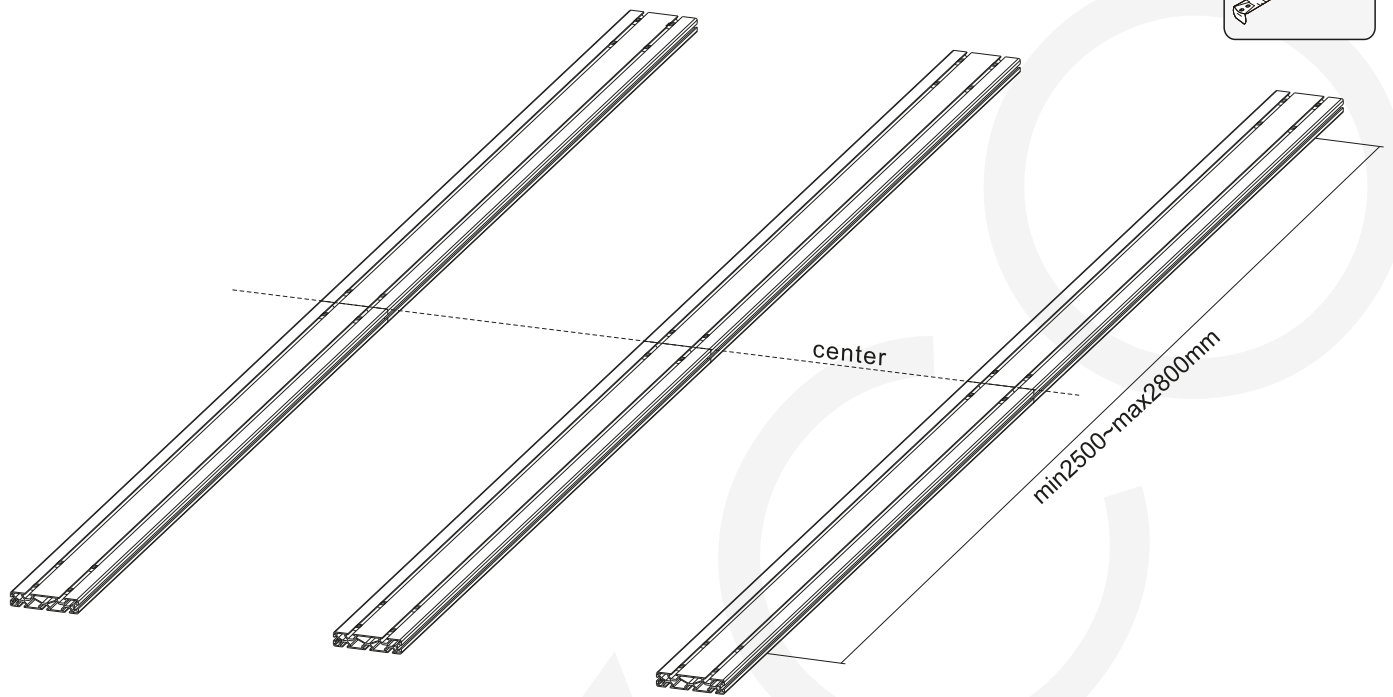
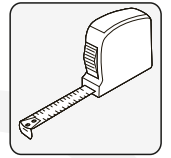
2. Extend the Mounting Rail



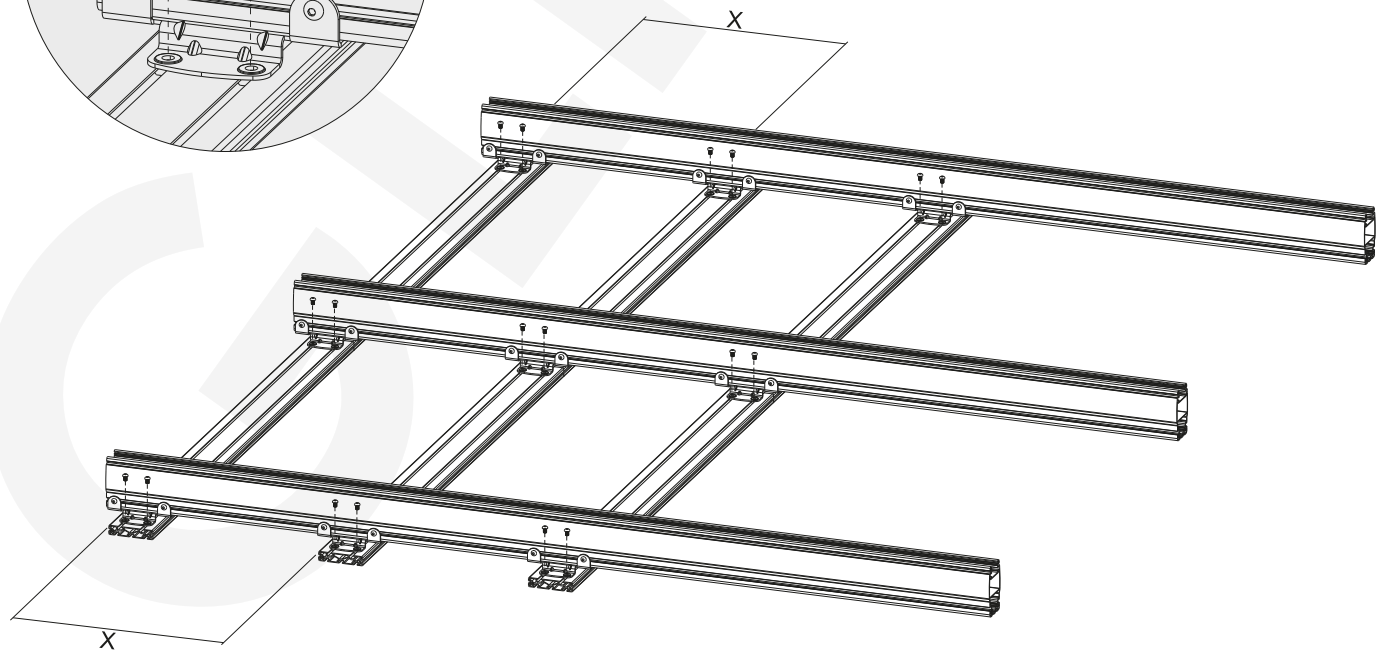
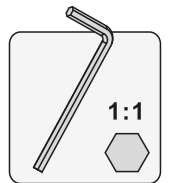
3. Attach Column to the Mounting Rail



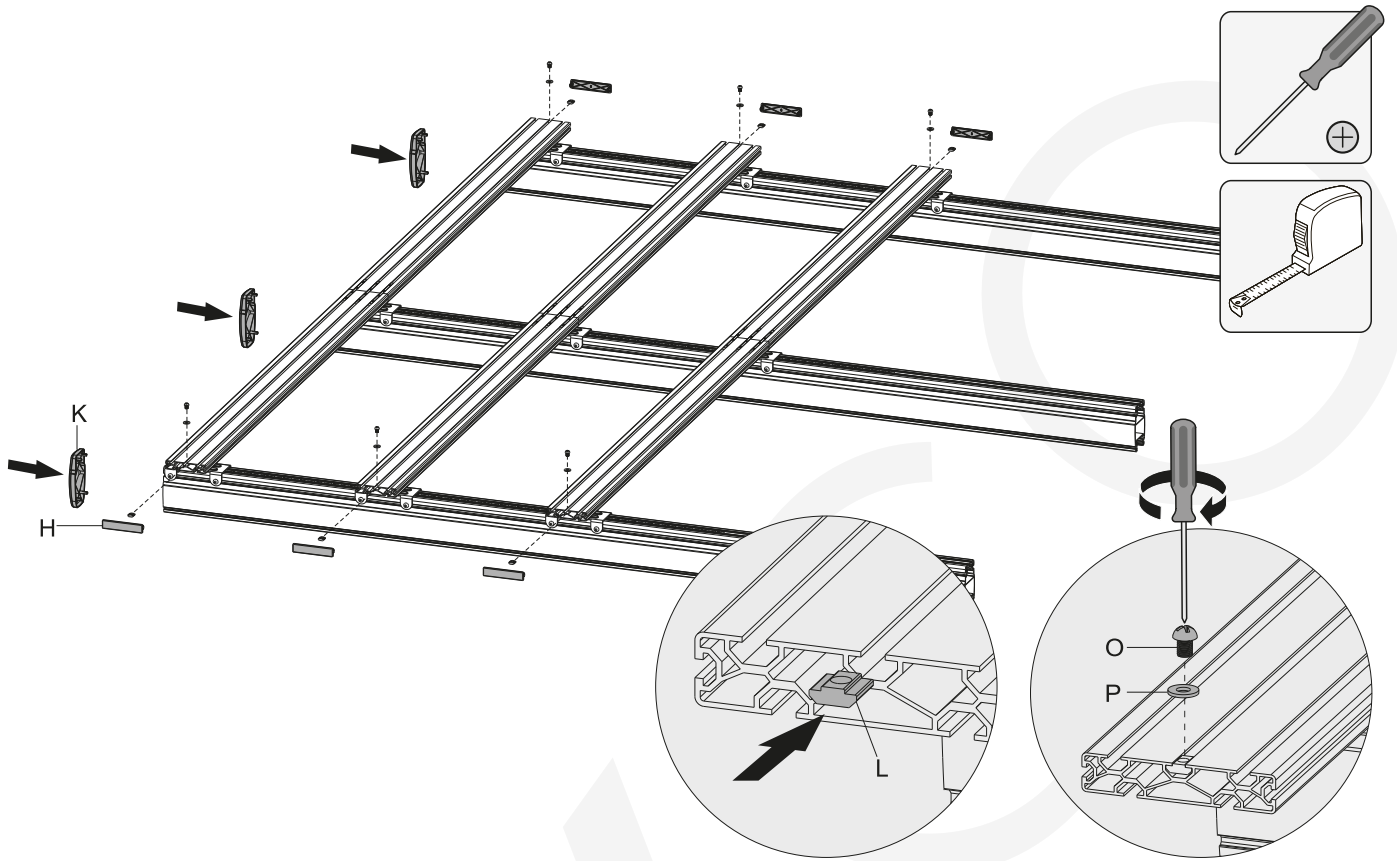
Note: Ensure the gap between the nuts halves on both sides are equal.



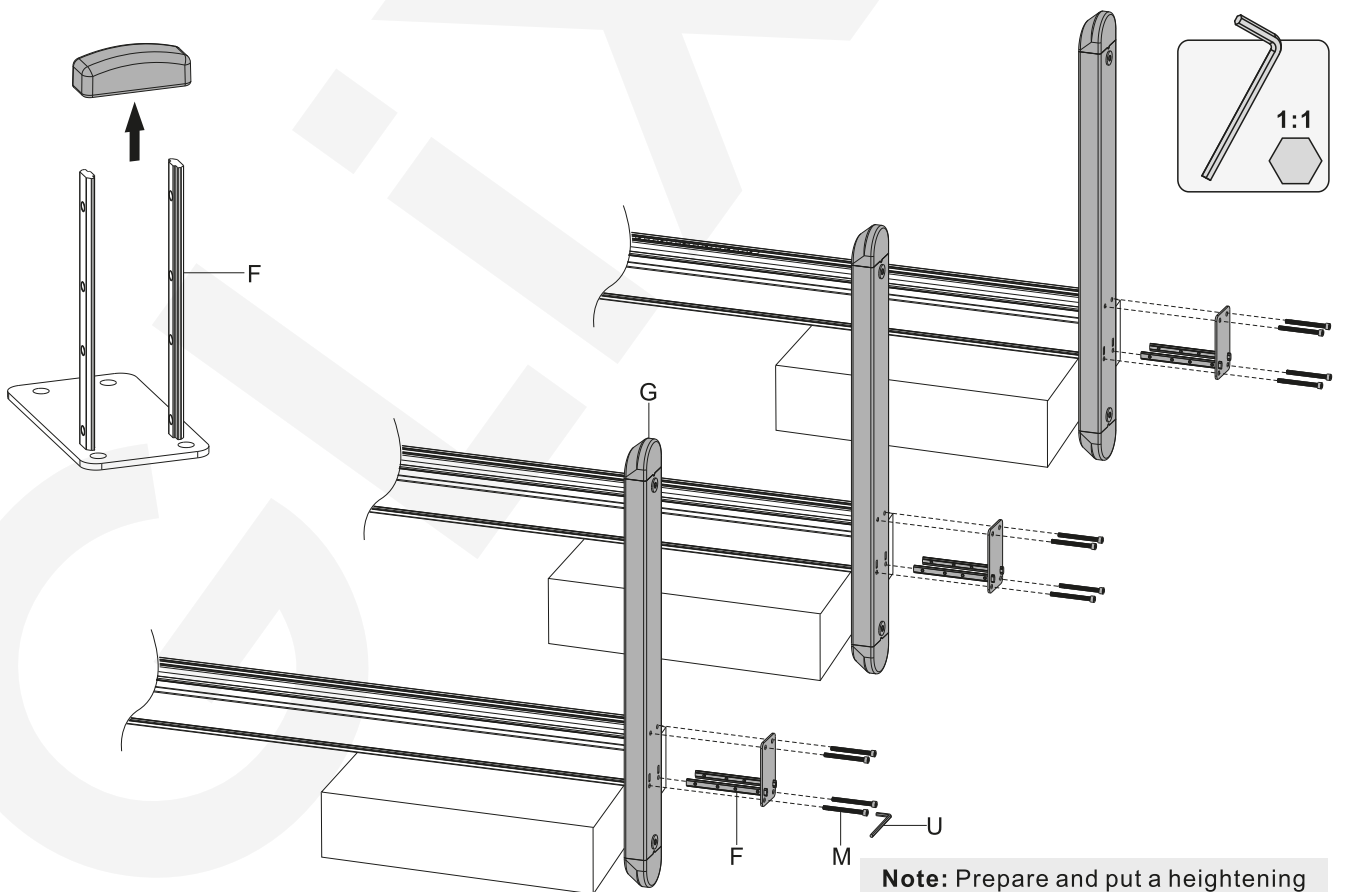
Note: Make sure the position of mounting rails are parallel before any AV equipment is fitted.

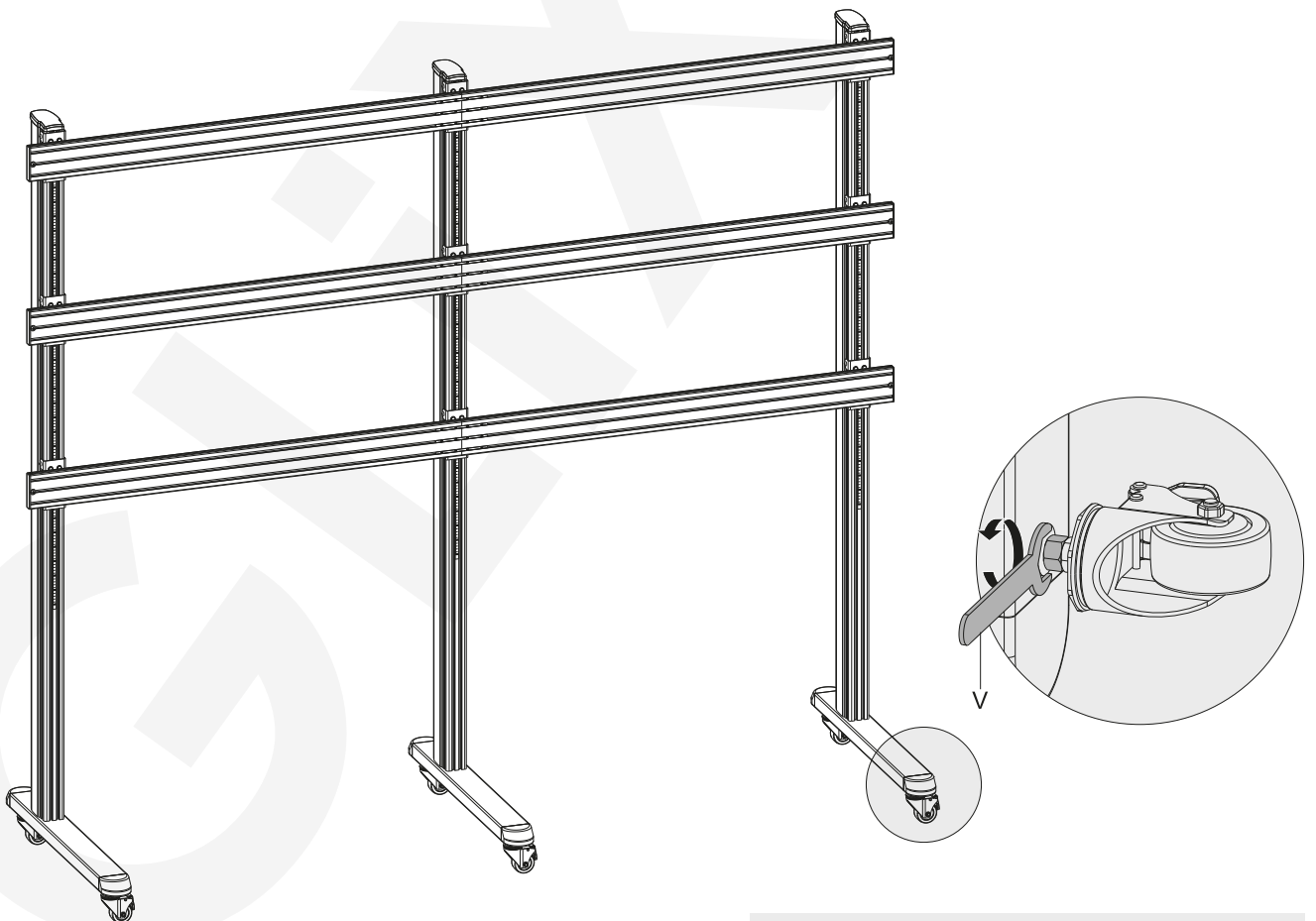
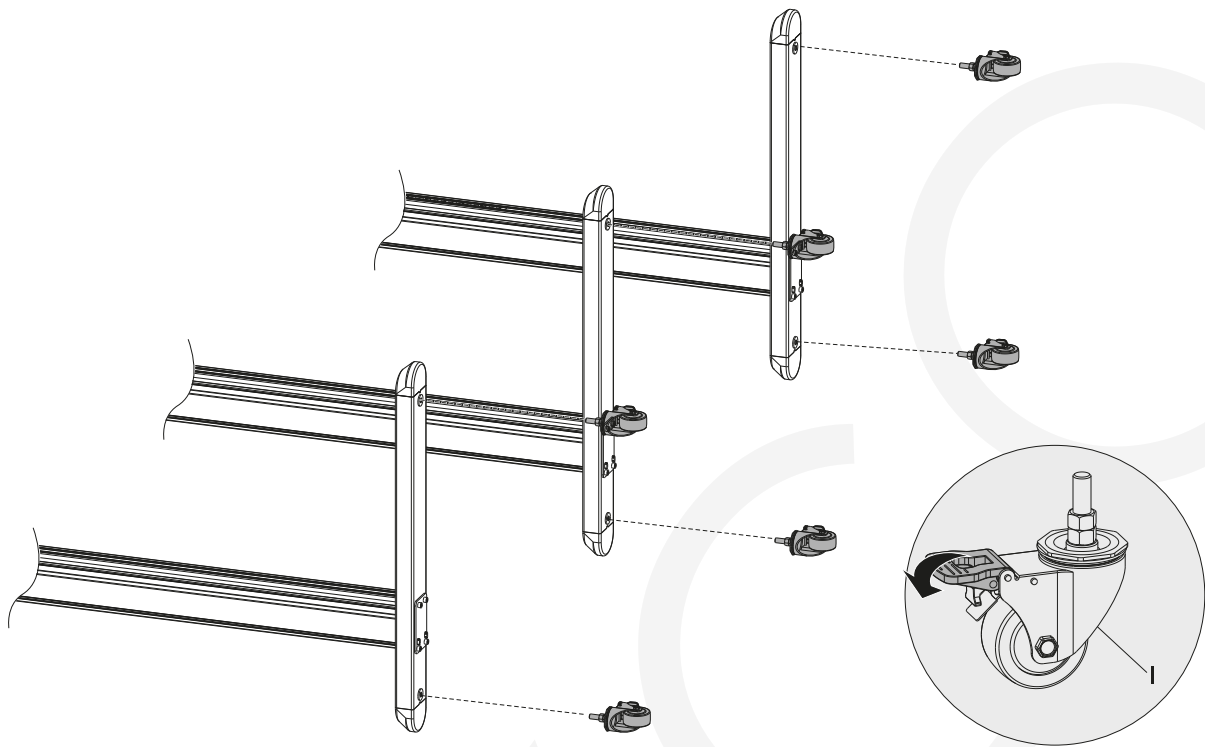


4. Install the End Cap



5. Assemble the Base

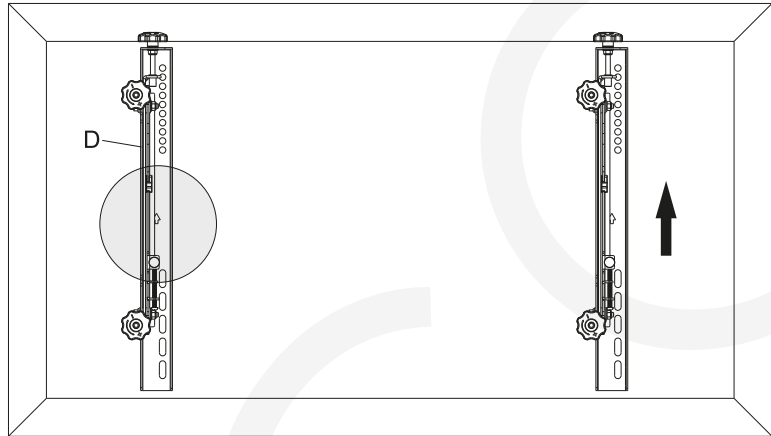
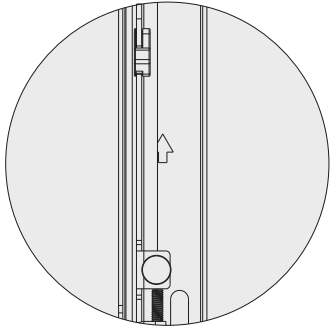




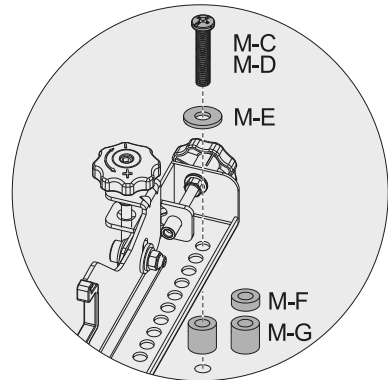
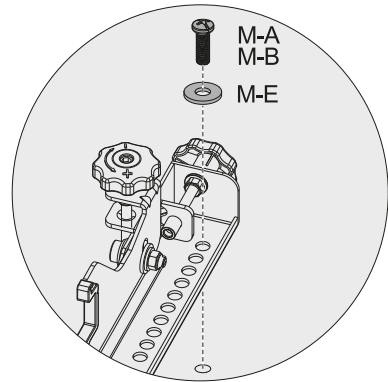
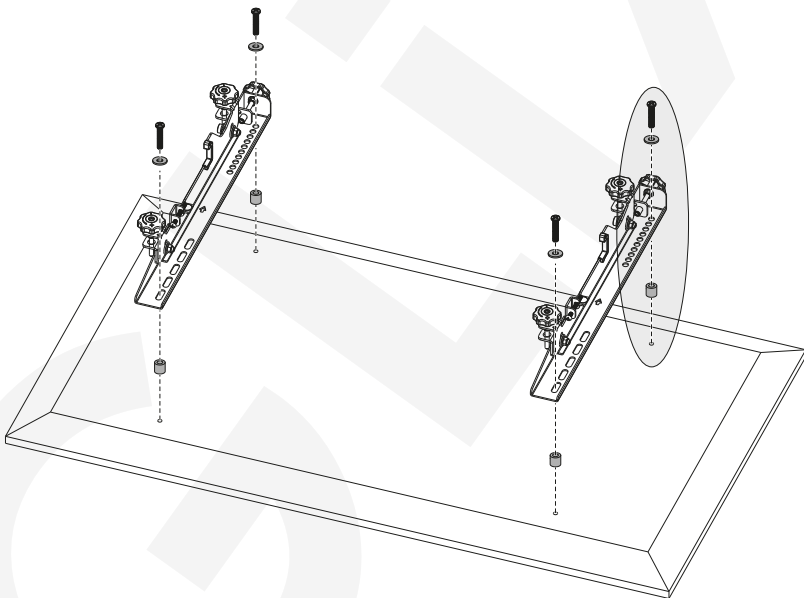
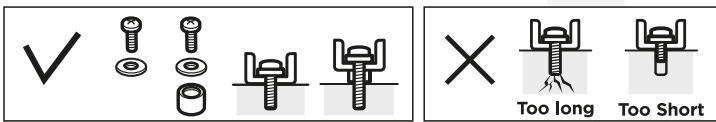
Note: Lock the brakes on the casters to avoid any sudden movements during installation.

6. Attach TV Bracket

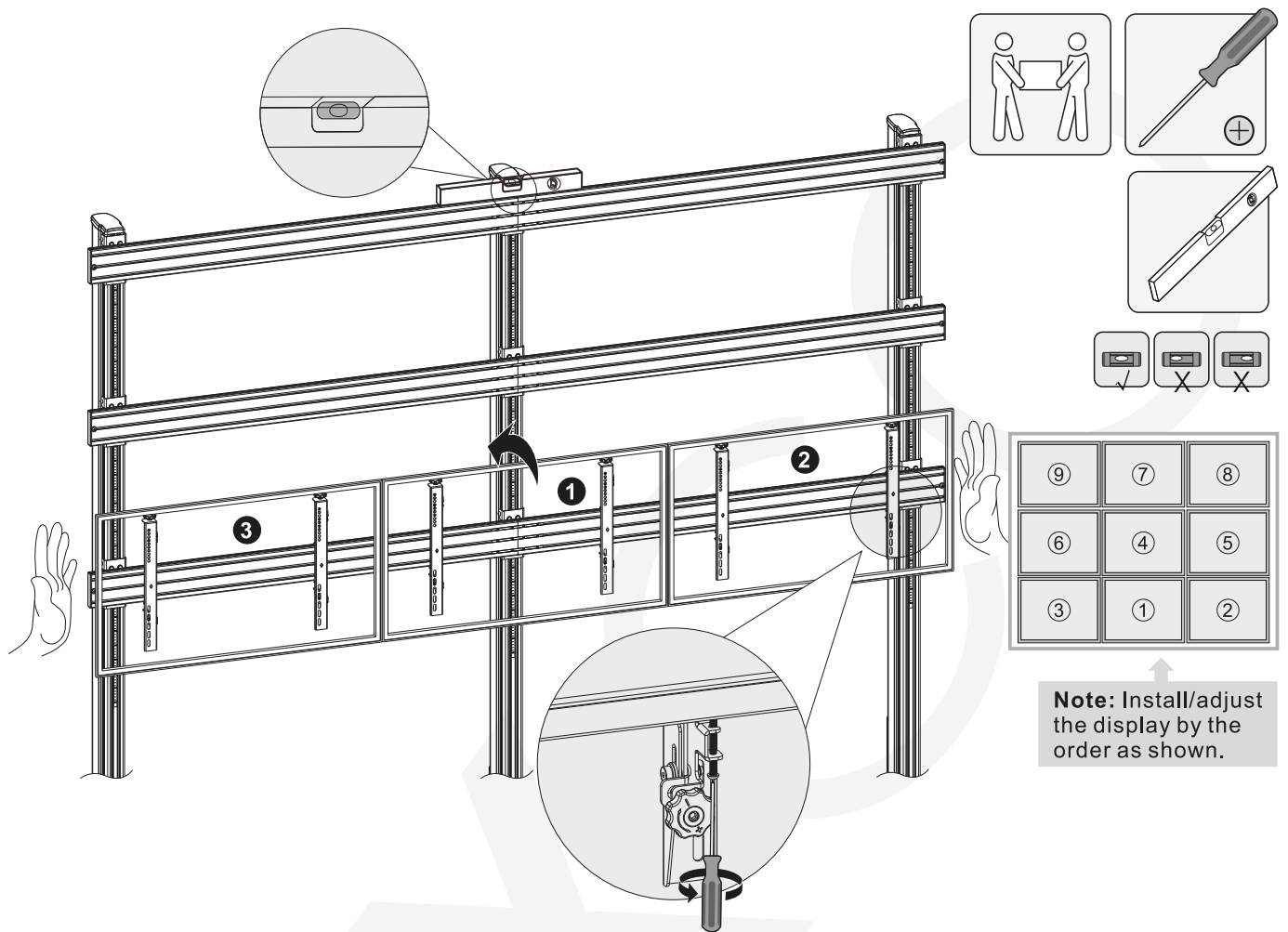
With the arrow pointing up.



Attach TV Bracket to Screen

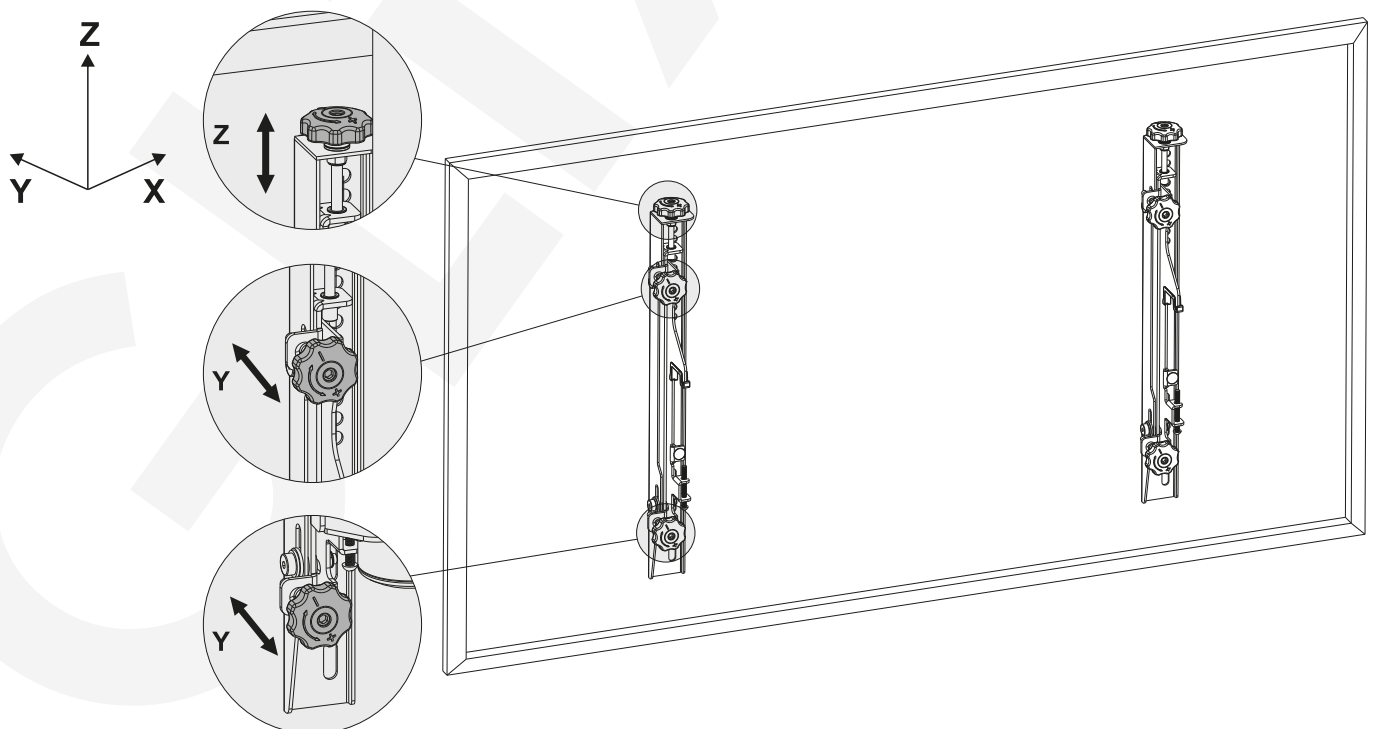


7. Hang the Screen

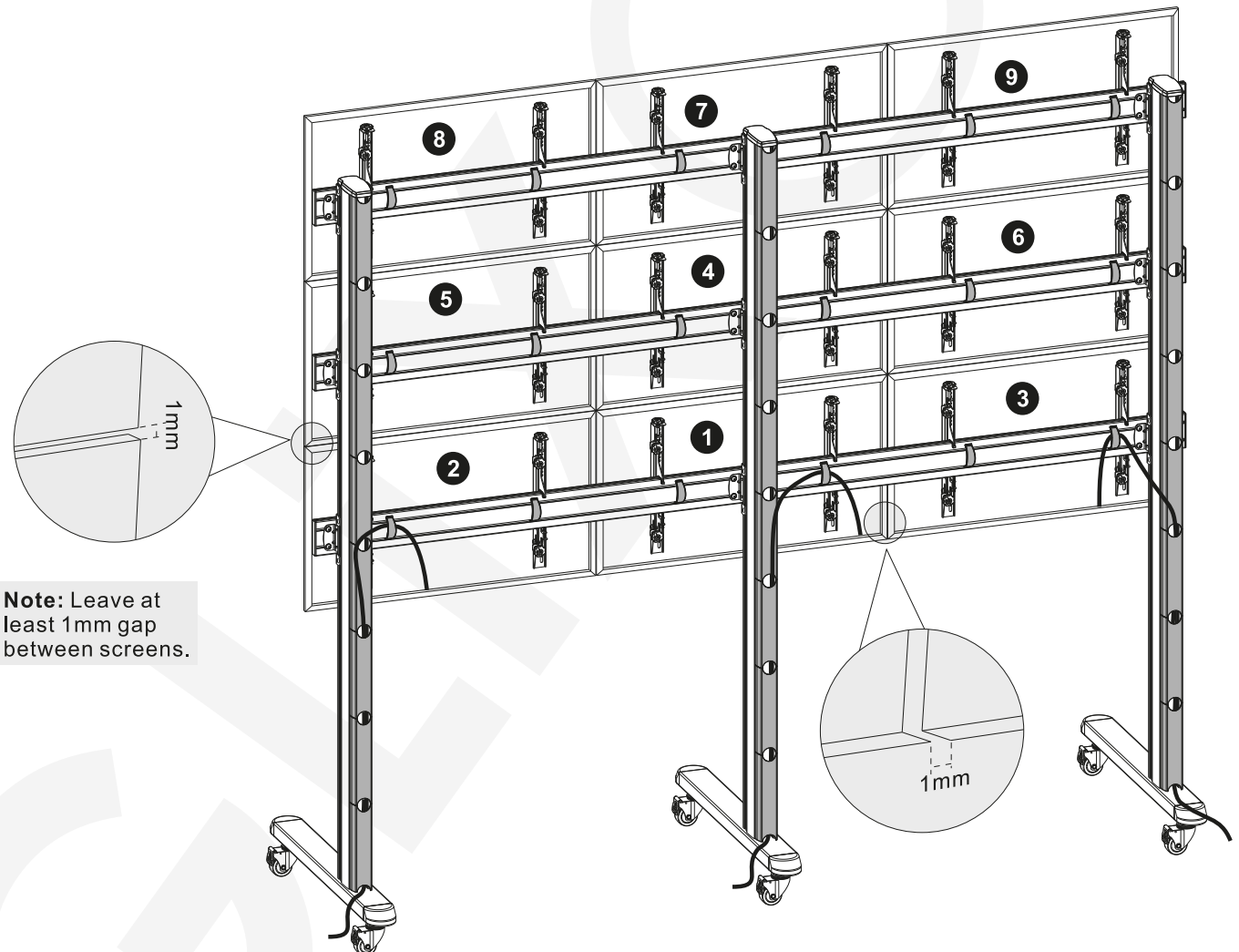
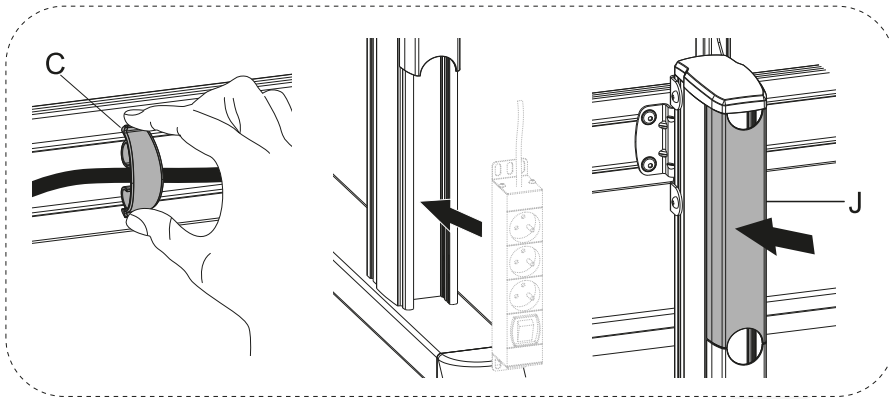


8. Precise Display Alignment

Z AXIS Adjustment Knob for Height Adjustment / Screen Leveling
Y AXIS Adjustment Knob for Depth Adjustment



9. Cable Management



Note: Leave at least 1mm gap between screens.

Maintenance

- Check that the bracket is secure and safe to use at regular intervals(at least every three months).
- Please contact your distributor if you have any questions.