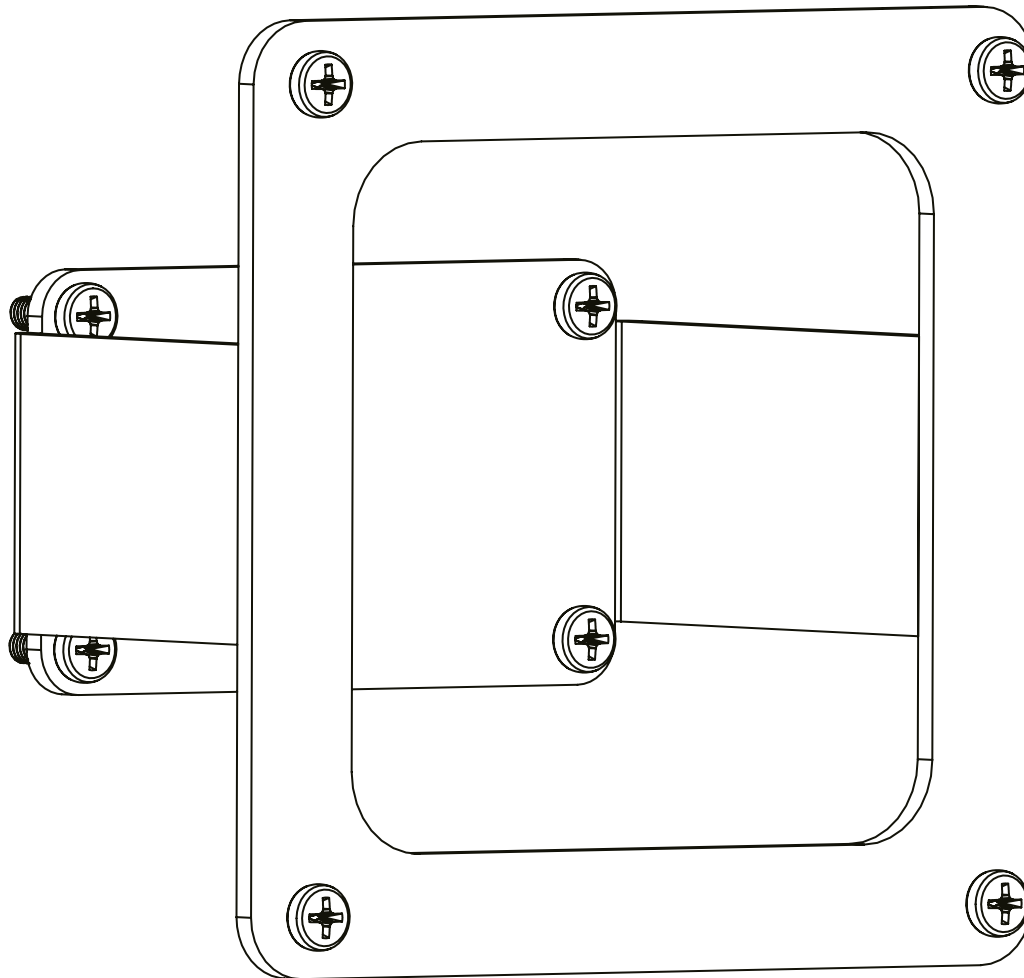




MANUAL DE INSTALACIÓN

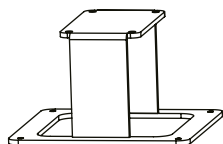


SKU: **VESA23**

- EN  Read the entire instruction manual before you start installation and assembly. If you have any questions regarding any of the instructions or warnings, please contact your local distributor for assistance.
-  **CAUTION:** Use with products heavier than the rated weights indicated may result in instability causing possible injury.
- Mounts must be attached as specified in assembly instructions. Improper installation may result in damage or serious personal injury.
 - Safety gear and proper tools must be used. This product should only be installed by professionals.
 - Make sure that the supporting surface will safely support the combined weight of the equipment and all attached hardware and components.
 - Use the mounting screws provided and DO NOT OVER TIGHTEN mounting screws.
 - This product contains small items that could be a choking hazard if swallowed. Keep these items away from children.
 - This product is intended for indoor use only. Using this product outdoors could lead to product failure and personal injury.
- IMPORTANT:** Ensure that you have received all parts according to the component checklist prior to installation. If any parts are missing or faulty, telephone your local distributor for a replacement.
- MAINTENANCE:** Check that the bracket is secure and safe to use at regular intervals (at least every three months).

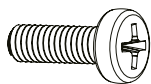
CONTENIDO DEL PAQUETE

HERRAMIENTAS NECESARIAS



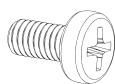
A (x1)

Adaptador
VESA23



M-A (x4)

M4x15mm
Perno



S-A (x4)

M4x12mm
Perno



M-C (x4)

Arandela

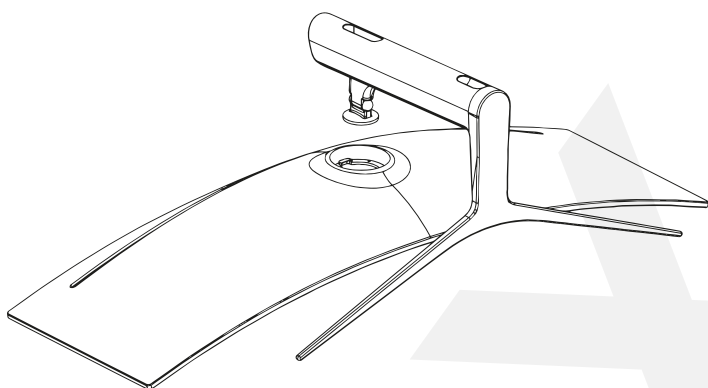


Destornillador
Phillips (Estrella)

PASOS DE ENSAMBLADO

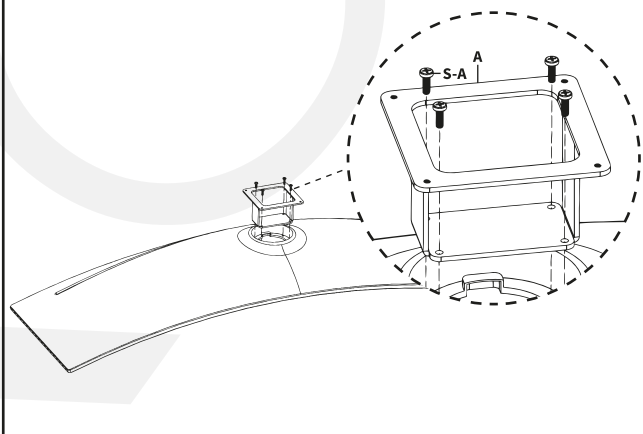
PASO 1

Retire el soporte del monitor siguiendo las instrucciones de desamblado el fabricante.



PASO 2

Instale el adaptador VESA23 (A) al monitor usando los pernos M4x12mm (S-A) y un destornillador Phillips (Estrella).



PASO 3

Fije su placa VESA (no incluido) al adaptador VESA23 utilizando tornillos M4x15mm (M-A), Arandela (M-C) y un destornillador Phillips (Estrella).

