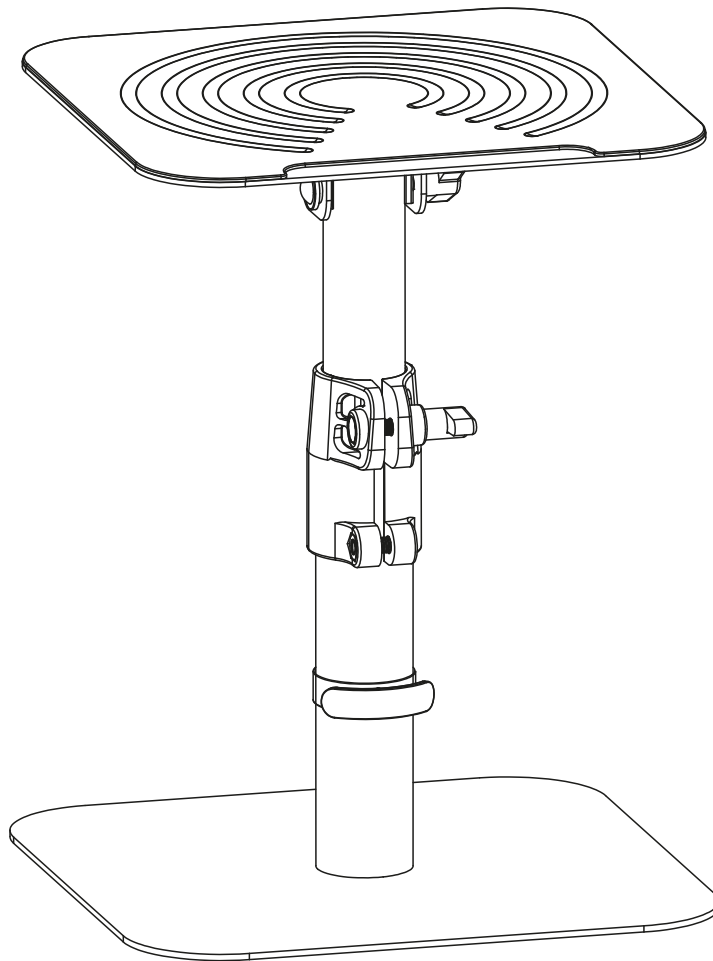


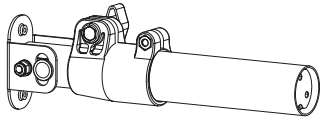


# MANUAL DE INSTALACIÓN



**SKU: SPK69T**

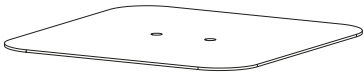
- EN  Read the entire instruction manual before you start installation and assembly. If you have any questions regarding any of the instructions or warnings, please contact your local distributor for assistance.
-  **CAUTION:** Use with products heavier than the rated weights indicated may result in instability causing possible injury.
- Mounts must be attached as specified in assembly instructions. Improper installation may result in damage or serious personal injury.
  - Safety gear and proper tools must be used. This product should only be installed by professionals.
  - Make sure that the supporting surface will safely support the combined weight of the equipment and all attached hardware and components.
  - Use the mounting screws provided and DO NOT OVER TIGHTEN mounting screws.
  - This product contains small items that could be a choking hazard if swallowed. Keep these items away from children.
  - This product is intended for indoor use only. Using this product outdoors could lead to product failure and personal injury.
- IMPORTANT:** Ensure that you have received all parts according to the component checklist prior to installation. If any parts are missing or faulty, telephone your local distributor for a replacement.
- MAINTENANCE:** Check that the bracket is secure and safe to use at regular intervals (at least every three months).



**A (x2)**



**B (x2)**



**C (x2)**



**D (x2)**



**E (x8)**



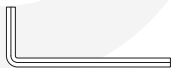
**F (x2)**



**G (x4)**  
M4x8

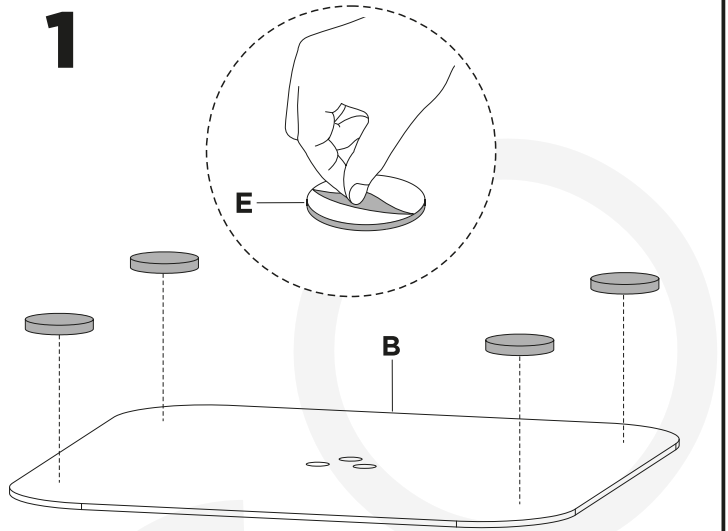


**H (x6)**  
M5x16



**I (x1)**  
3mm

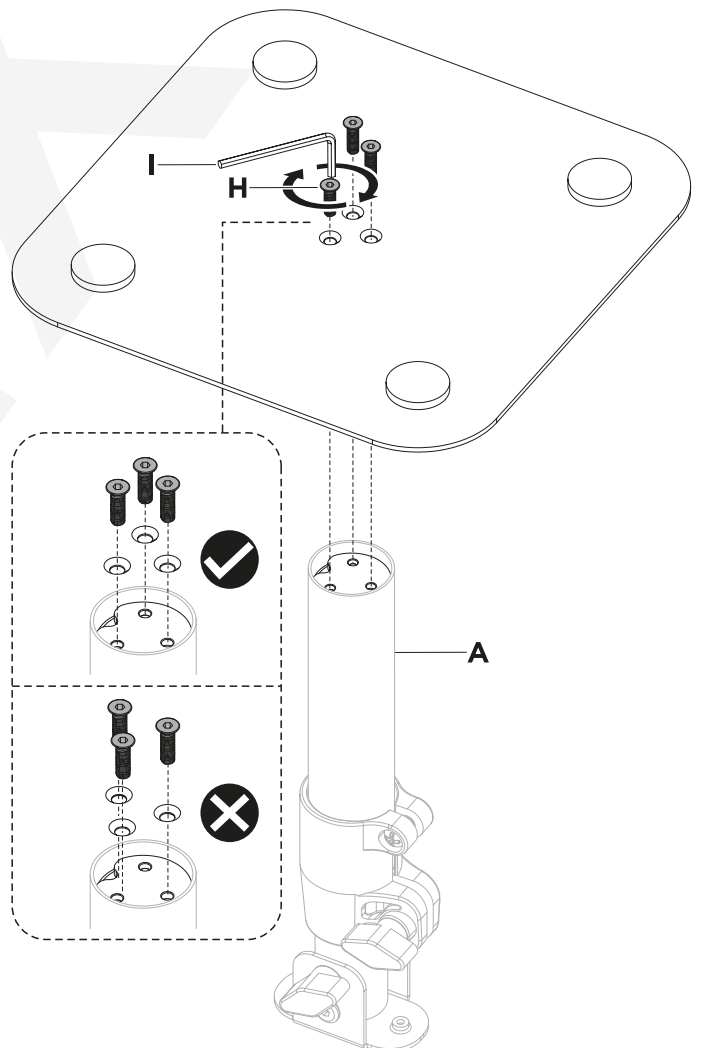
**1**



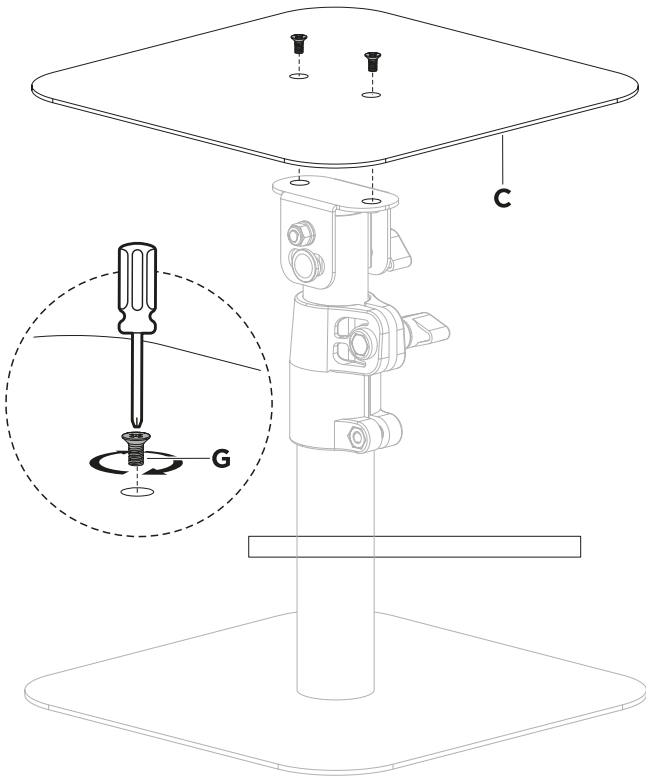
Apply the non-slip pads (E) to the side of the baseplate (B) that has 3 countersunk holes.

**2**

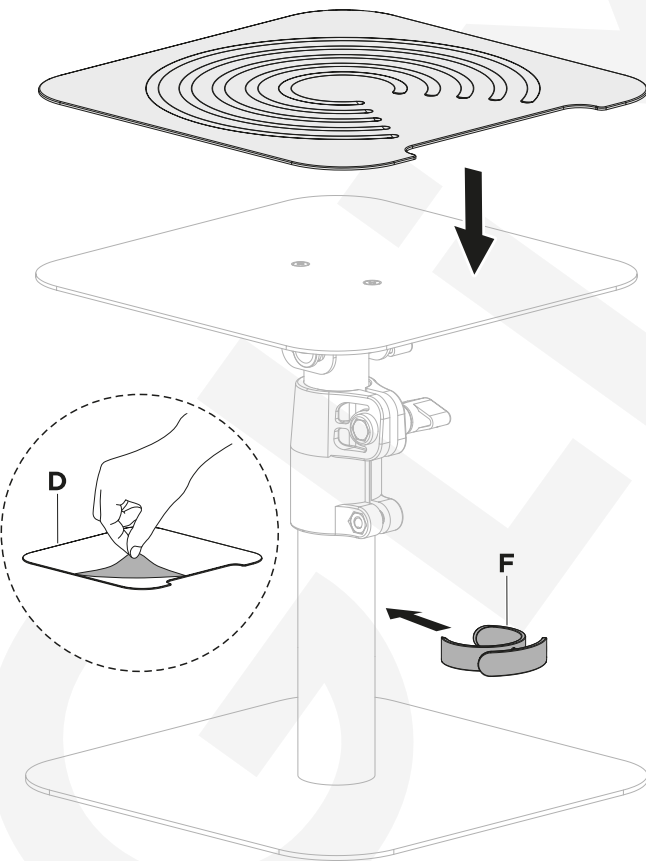
*Note: Make sure to align the screw holes.*



**3**



**4**



**5**

