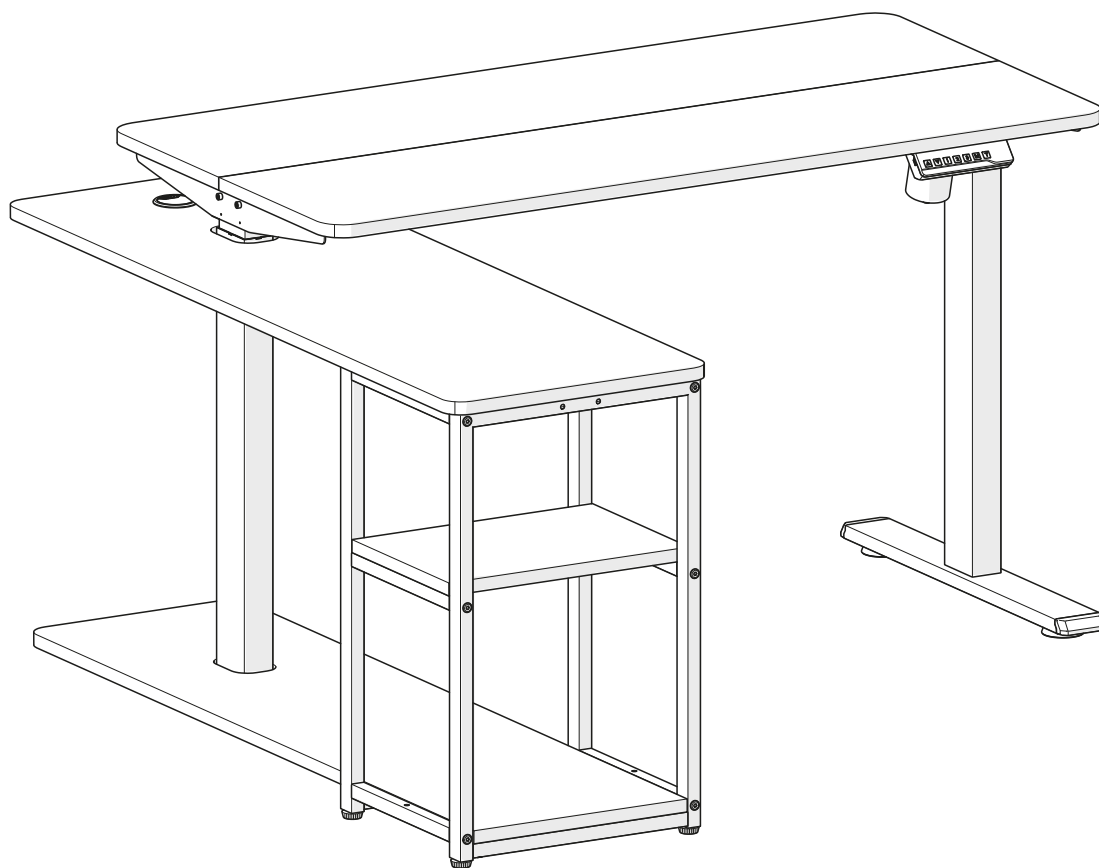



MANUAL DE INSTALACIÓN



SKU: S0822DL2

EN  Read the entire instruction manual before you start installation and assembly. If you have any questions regarding any of the instructions or warnings, please contact your local distributor for assistance.



CAUTION: Use with products heavier than the rated weights indicated may result in instability causing possible injury.

• Mounts must be attached as specified in assembly instructions. Improper installation may result in damage or serious personal injury.

• Safety gear and proper tools must be used. This product should only be installed by professionals.

• Make sure that the supporting surface will safely support the combined weight of the equipment and all attached hardware and components.

• Use the mounting screws provided and DO NOT OVER TIGHTEN mounting screws.

• This product contains small items that could be a choking hazard if swallowed. Keep these items away from children.

• This product is intended for indoor use only. Using this product outdoors could lead to product failure and personal injury.

IMPORTANT: Ensure that you have received all parts according to the component checklist prior to installation. If any parts are missing or faulty, telephone your local distributor for a replacement.

MAINTENANCE: Check that the bracket is secure and safe to use at regular intervals (at least every three months).

Checklist and Installation

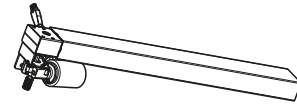
Please check all of the components shown in the component checklist. If any of the components are missing or damaged, contact your point of purchase for a replacement.



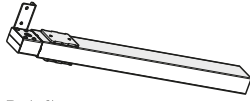
A (x1)
Crossbar Piece



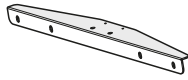
B (x1)
Crossbar Piece



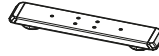
C (x1)
Lifting Column



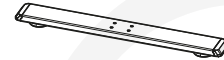
D (x1)
Lifting Column



E (x2)
Side Bracket



F (x1)
Foot



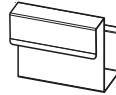
G (x1)
Foot



H (x2)
Desktop



I (x1)
Sync Rod



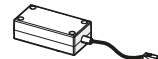
J (x1)
Adapter Holder



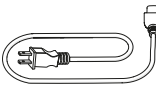
K (x3)
Connecting Plate



L (x1)
Controller



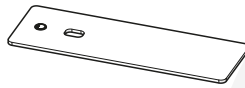
M (x1)
AC Adapter



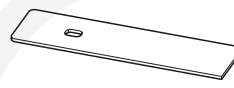
N (x1)
Power Plug



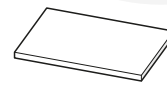
O (x4)
Wooden Dowel Pin



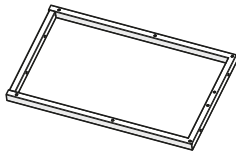
P (x1)
Desktop Shelf Board



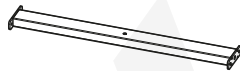
Q (x1)
Desktop Shelf Board



R (x1)
Desktop Shelf Board



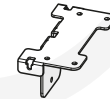
S (x2)
Shelf Bracket



T (x1)
Crossbar



U (x6)
Shelf Bracket



V (x2)
Connecting Component



W (x4)
Leveling Foot



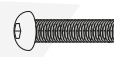
S-A (x4)
M6x50
Hex Head Screw



S-B (x12)
M6x40
Hex Head Screw



S-C (x10)
M6x30
Hex Head Screw



S-D (x2)
M6x25
Hex Head Screw



S-E (x8)
M6x16
Phillips Head Screw



S-F (x12)
M6x12
Hex Head Screw



S-G (x4)
M6x8
Hex Head Screw



S-H (x6)
M5x10
Hex Head Screw



S-I (x2)
M5x40
Hex Head Screw



S-J (x13)
ST4.2x35
Phillips Head Screw



S-K (x2)
ST4.2x16
Phillips Head Screw



S-L (x18)
ST4.2x13
Phillips Head Screw



S-M (x5)
ST3.5x13
Phillips Head Screw



S-N (x2)
D5
Washer



S-O (x10)
Anti-Vibration Pad




S-P (x3)
Cable Clip



S-Q (x1)
4mm
Allen Wrench

What important specifications should know before installation?


Power Input
(100-240V)


Operation Temperature
(-5°C--+40°C)


Desk
Weight Capacity
70kg (154lbs)


Shelf
Weight Capacity
100kg (220lbs)

What tools are needed to assemble the desk frame?


Bubble Level

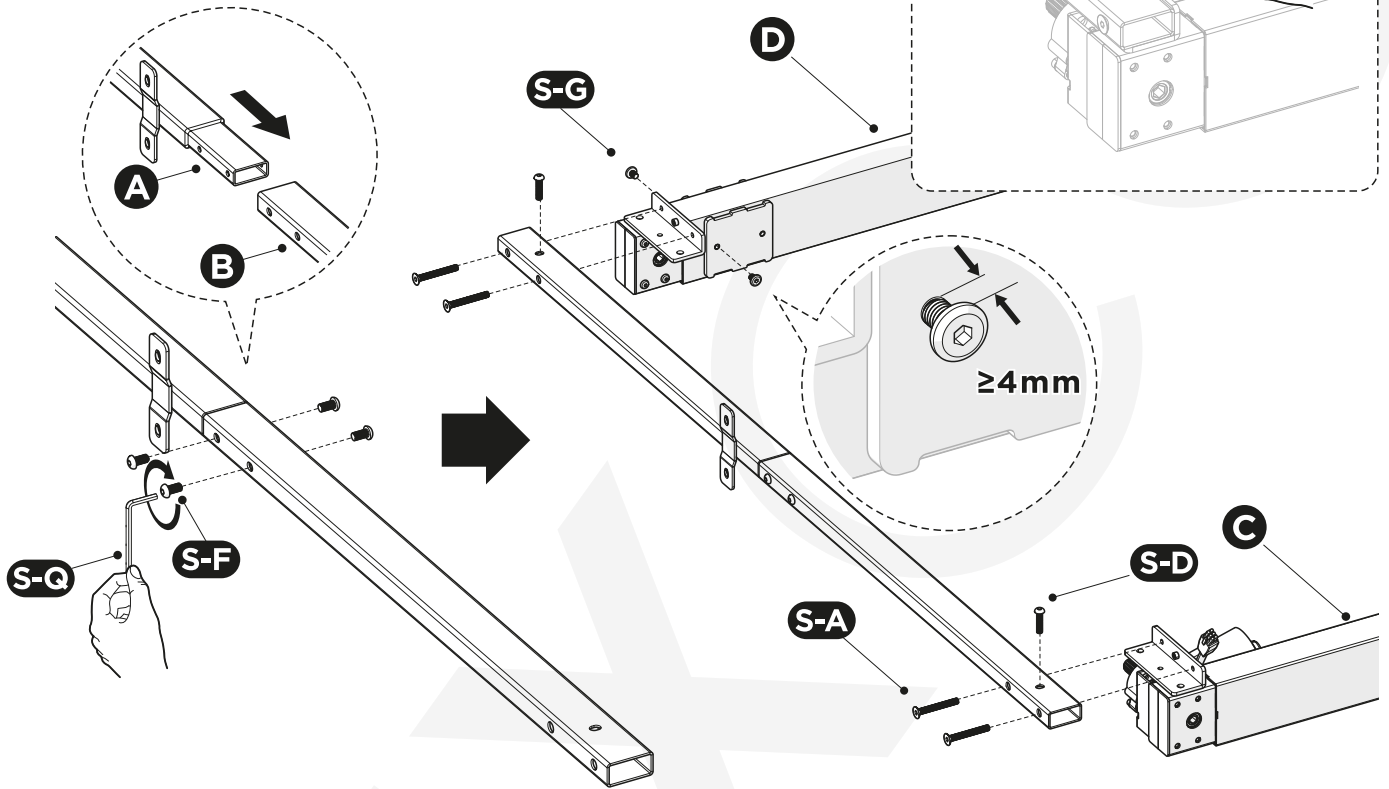

Allen Wrench
(Included)


Drill


Phillips Screwdriver

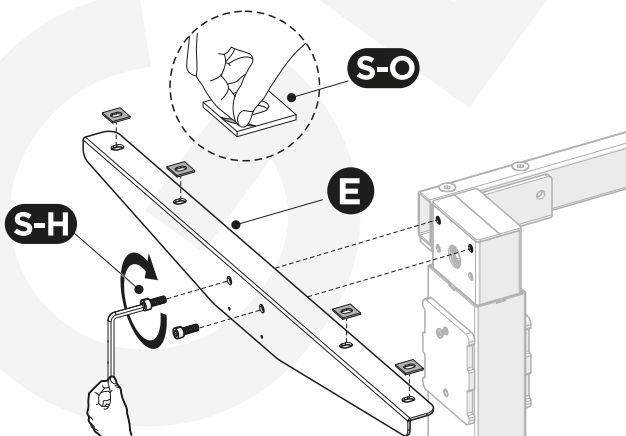
1. Attaching the Crossbar

- Assemble the **Crossbar Pieces A / B** using **4 M6x12 Screws S-F**.
- Attach the **Crossbar** to the **Lifting Columns C / D** using **4 M6x50 Screws S-A** and **2 M6x25 Screws S-D** as shown in the illustration.
- Attach **2 M6x8 Screws S-G** to the Column. Tighten but do not fully tighten the screws as shown.



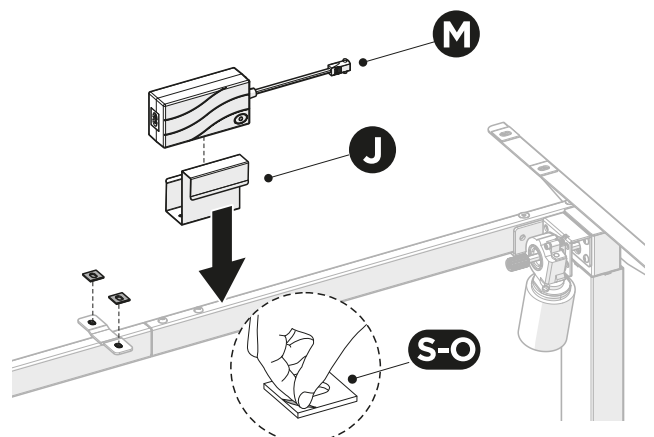
2. Attaching the Side Brackets

- Attach each **Side Bracket E** to the Lifting Column using **2 M5x10 Screws S-H**.
- Attach **4 Anti-Vibration Pads S-O** to the Side Bracket as shown.
- Repeat the same process to attach the other side bracket.



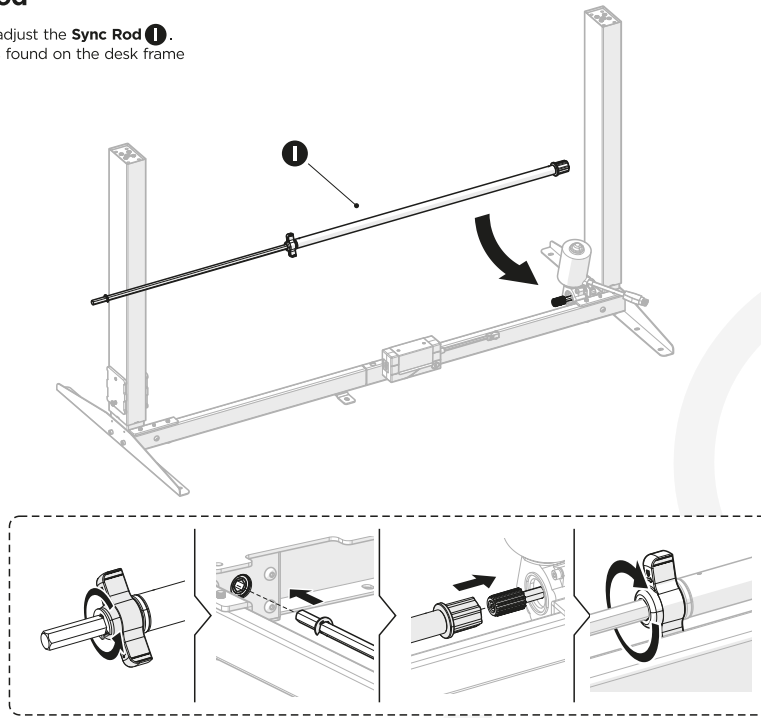
3. Attaching AC Adapter

- Attach **2 Anti-Vibration Pads S-O** to the Crossbar as shown.
- Hang the **Adapter Holder J** on the crossbar as shown, then put the **AC Adapter M** into it.



4. Attaching the Sync Rod

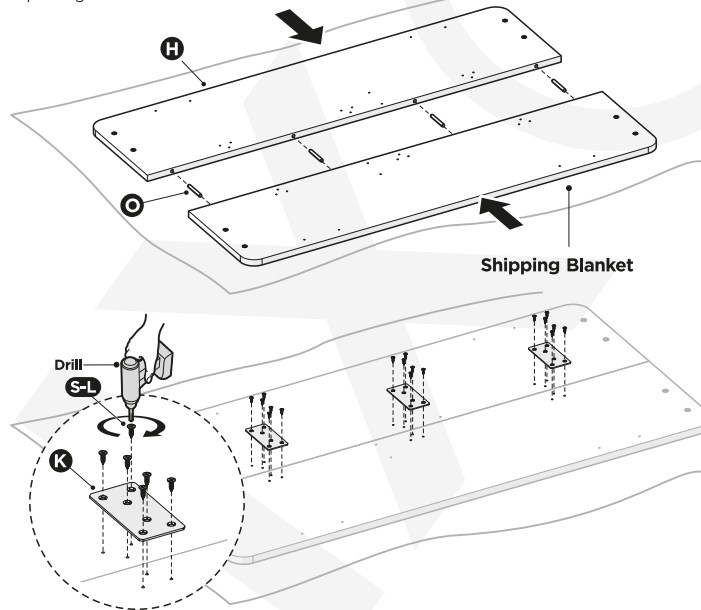
- Turn the knob as shown to loosen and adjust the **Sync Rod I**.
- Insert both ends of **Sync Rod** into holes found on the desk frame as shown in the illustration.
- Re-tighten the knob.



5. Assembling the Desktop

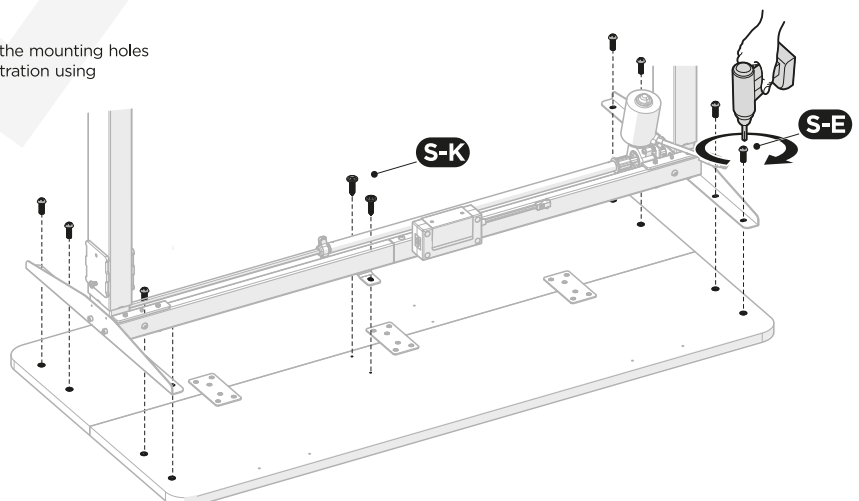
- Carefully place 2 pieces of **Desktop H** upside down on the floor as shown.
- Assemble the split desktop with 4 **Wooden Dowel Pins O** and 3 **Connecting Plates K** using 18 **ST4.2x13 Screws S-L**.

Note: Please make sure the desktop pieces keep facing down while installation.



6. Drilling to the Desktop

- Attaching the assembled desk frame to the desktop through the mounting holes found on the Side Brackets and Crossbar as shown in the illustration using 8 **M6x16 Screws S-E** and 2 **ST4.2x16 Screws S-K**.

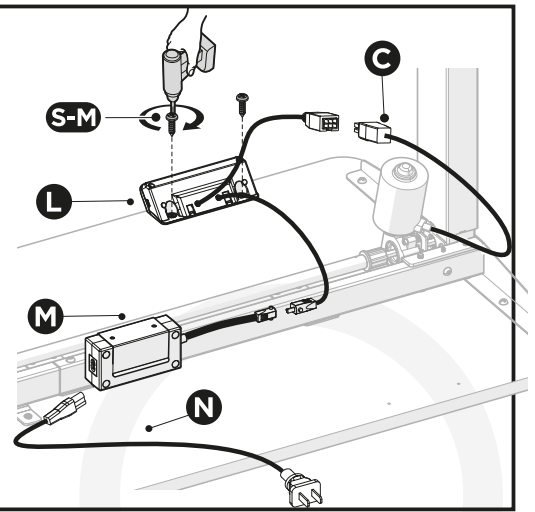


7. Attaching the Controller

- Connect the **Controller L** with the **AC Adapter M** and motor as shown.
- Insert the **Power Plug N** into the **AC Adapter M**.
- Insert the cable from **Lifting Column C** into the **Controller L**.
- Attach the **Controller L** to the desktop using **2 ST3.5x13 Screws S-M**.

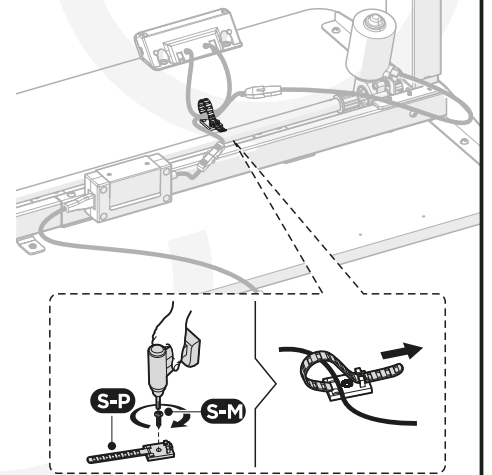
Note: The Controller and the Motor should be installed in the same side of the desktop.

Note: Do not plug into the power before the desk is fully assembled.



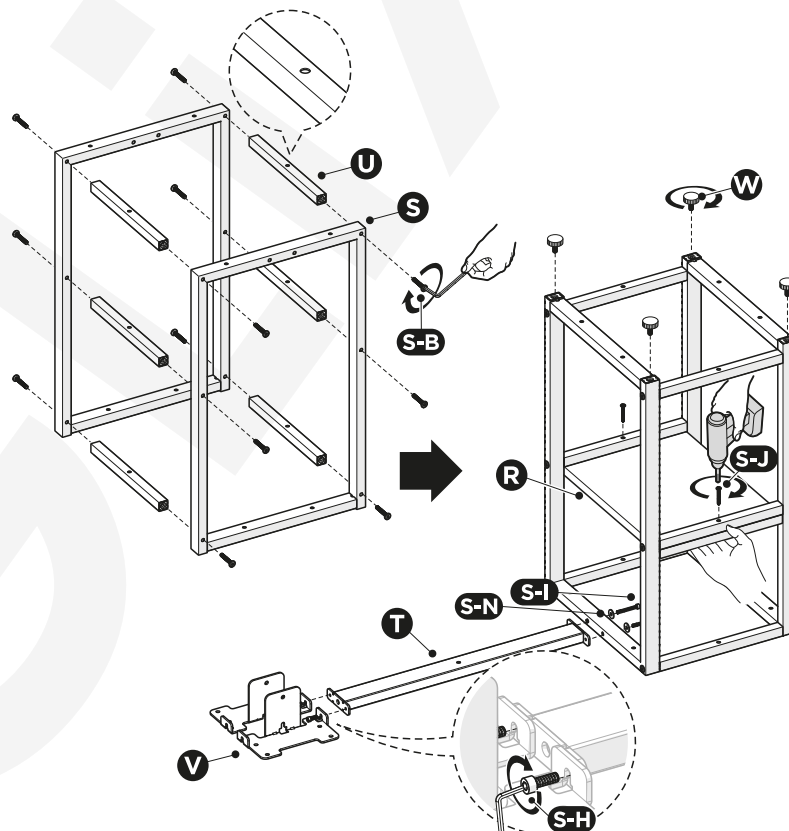
8. Cable Management

Run the cables through the **Cable Clips S-P** and attach the **Cable Clips** to the desktop with **ST3.5x13 Screws S-M** to ensure clean and neat surface.

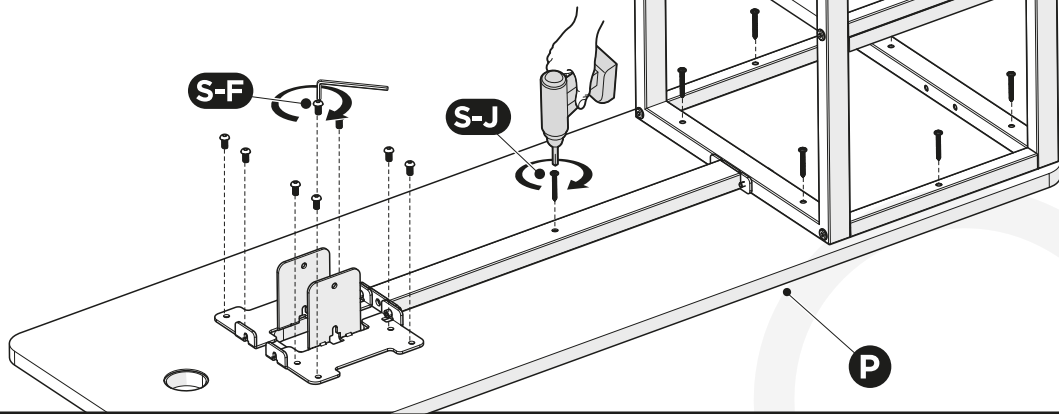


9. Assemble the Shelf

- Assemble the **Shelf Brackets U / S** using **12 M6x40 Screws S-B**.
- Attach **Shelf Board R** to the Bracket using **2 ST4.2x35 Screws S-J**.
- Attach **4 Leveling Feet W** to the bottom of the shelf.
- Attach the **2 Connecting Components V** to the **Crossbar T** using **2 M5x10 Screws S-H**.
- Attach the **Crossbar T** to the Shelf using **2 Washers S-N** and **2 M5x40 Screws S-I**.



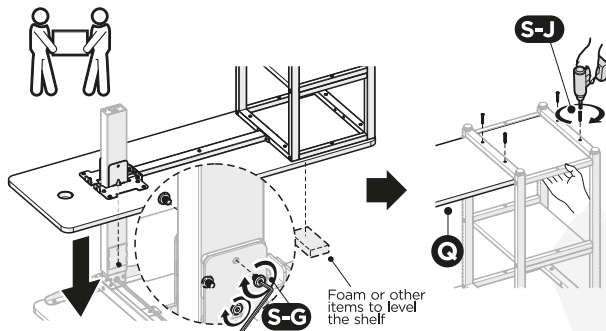
- Attach the Shelf Frame to the **Shelf Board P** using **8 M6x12 Screws S-F** and **7 ST4.2x35 Screws S-J** as shown.



10. Assemble the Shelf and Shelf Board

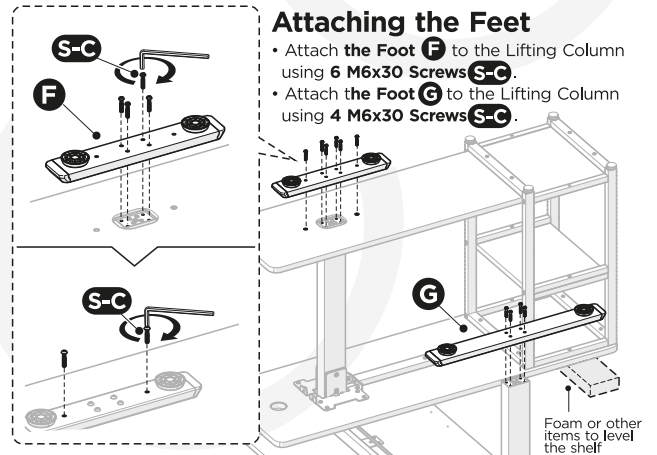
- Insert the Shelf to the desk frame as shown. Tighten the two per-installed **M6x8 screws S-G** and attach another **2 M6x8 screws S-G** to the column.
- Attach the **Shelf Board C** to the Shelf Frame using **4 ST4.2x35 Screws S-J**

Caution: After attaching the shelf to the desk frame, another side of the shelf should be padded with a foam or other items to keep this shelf level.



Attaching the Feet

- Attach the **Foot F** to the Lifting Column using **6 M6x30 Screws S-C**.
- Attach the **Foot G** to the Lifting Column using **4 M6x30 Screws S-C**.



11. Adjusting the Desk

- Turn over the desk with the help of another person.
- There are two adjustable foot pads under each foot and four leveling feet under the shelf. If the floor isn't even, simply turn the pad or leveling foot to adjust the level to make the desk stable.

Tip: Use a bubble level (not included) to check if the desktop is even.

- Connect the desk to power. Keep holding the press on the controller to adjust the desk to desired height.

Caution: At least two people are required when turning over the desk, otherwise serious bodily injuries might occur.

Bubble Level

