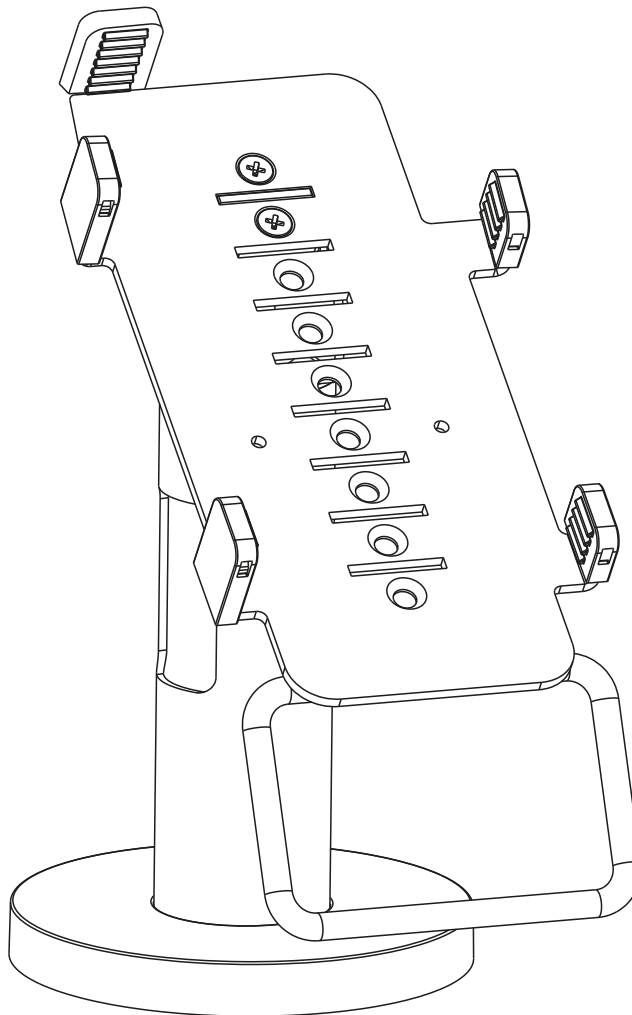


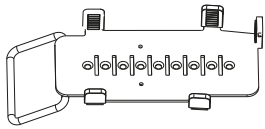


# MANUAL DE INSTALACIÓN

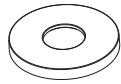


**SKU: PTS520**

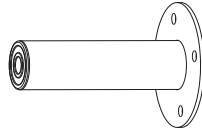
- EN  Read the entire instruction manual before you start installation and assembly. If you have any questions regarding any of the instructions or warnings, please contact your local distributor for assistance.
-  **CAUTION:** Use with products heavier than the rated weights indicated may result in instability causing possible injury.
- Mounts must be attached as specified in assembly instructions. Improper installation may result in damage or serious personal injury.
  - Safety gear and proper tools must be used. This product should only be installed by professionals.
  - Make sure that the supporting surface will safely support the combined weight of the equipment and all attached hardware and components.
  - Use the mounting screws provided and DO NOT OVER TIGHTEN mounting screws.
  - This product contains small items that could be a choking hazard if swallowed. Keep these items away from children.
  - This product is intended for indoor use only. Using this product outdoors could lead to product failure and personal injury.
- IMPORTANT:** Ensure that you have received all parts according to the component checklist prior to installation. If any parts are missing or faulty, telephone your local distributor for a replacement.
- MAINTENANCE:** Check that the bracket is secure and safe to use at regular intervals (at least every three months).



A (x1)



B (x1)



C (x1)



D (x1)



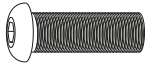
E (x1)



F (x2)



G (x1)



H (x1)



I (x1)



D12  
plastic (x1)  
J



D6  
plastic (x2)  
K



L (x4)



metallic (x4)  
M

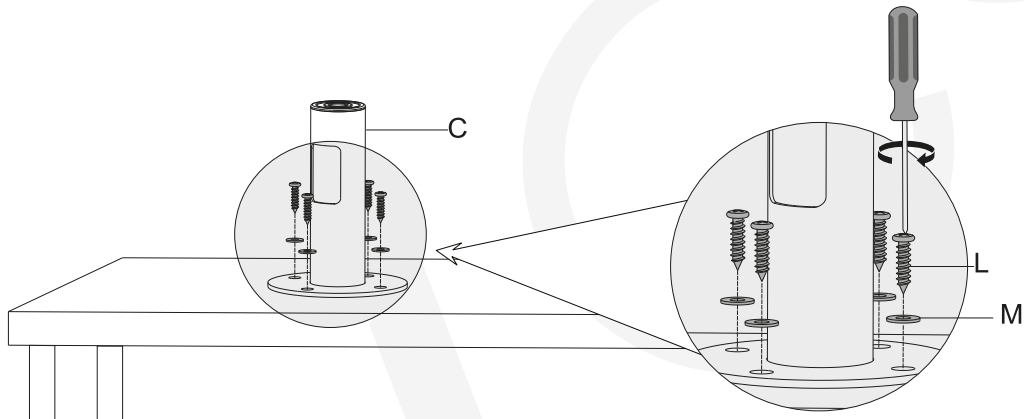
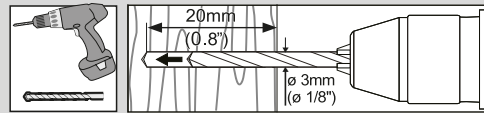


N (x1)

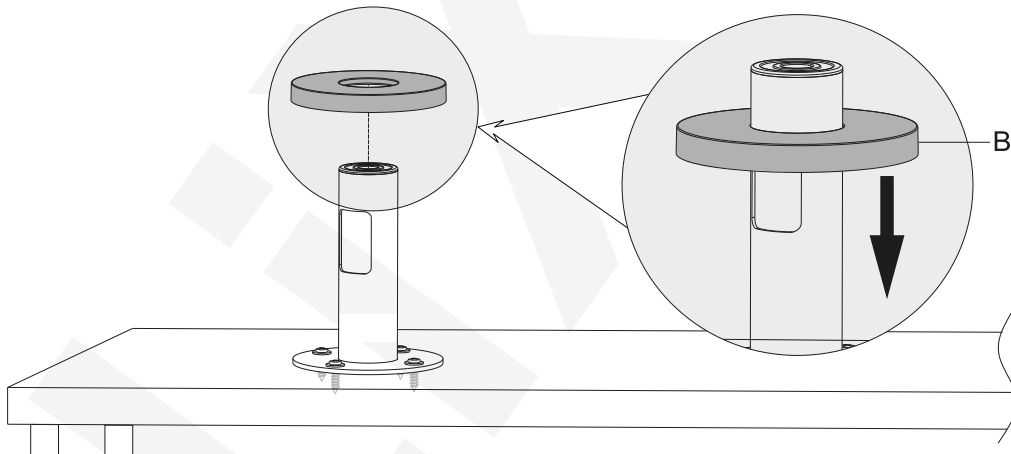


O (x1)

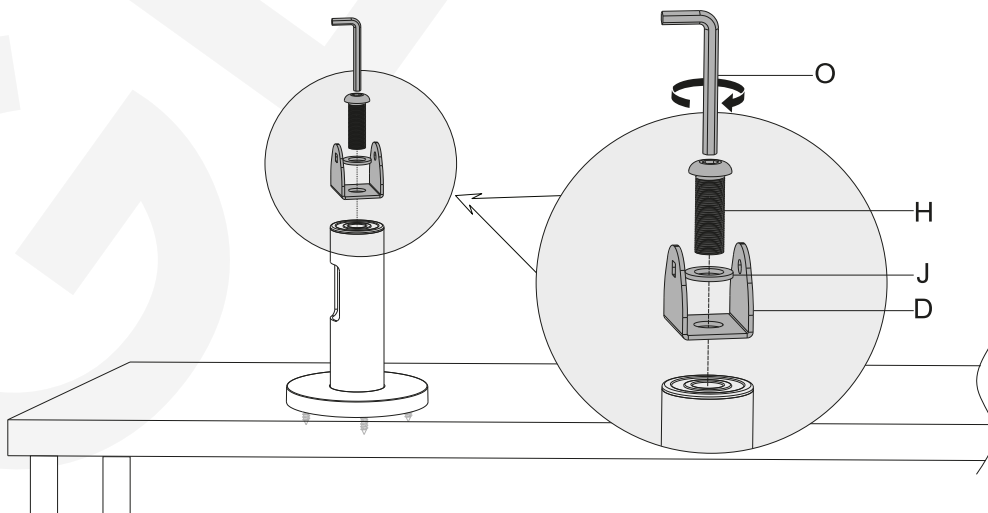
1



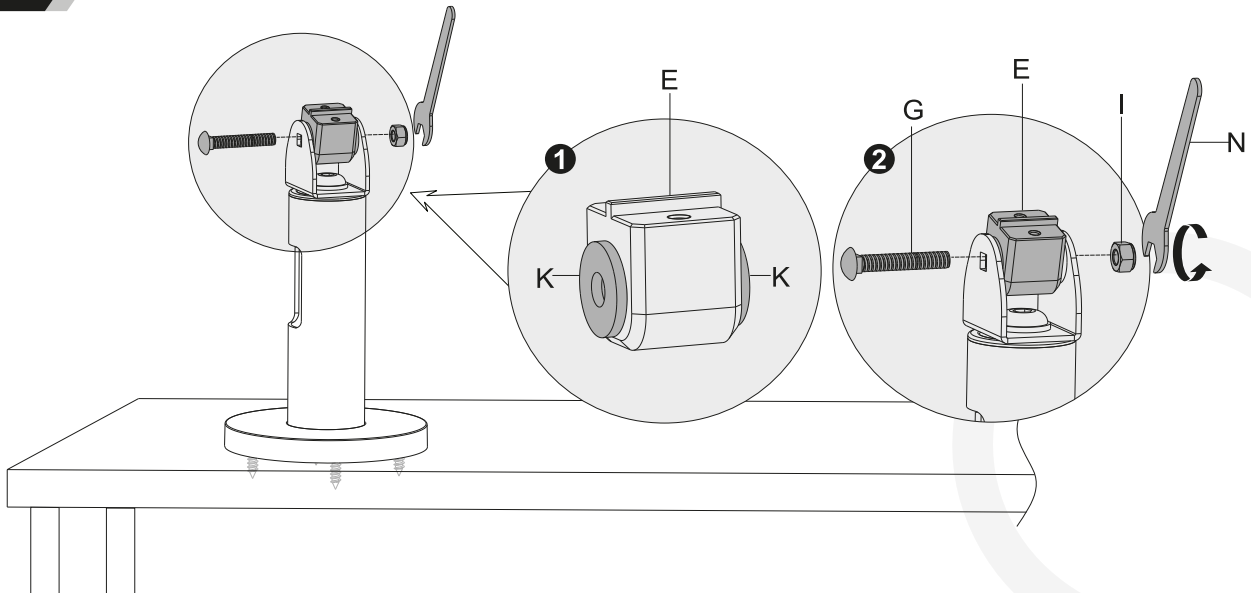
2



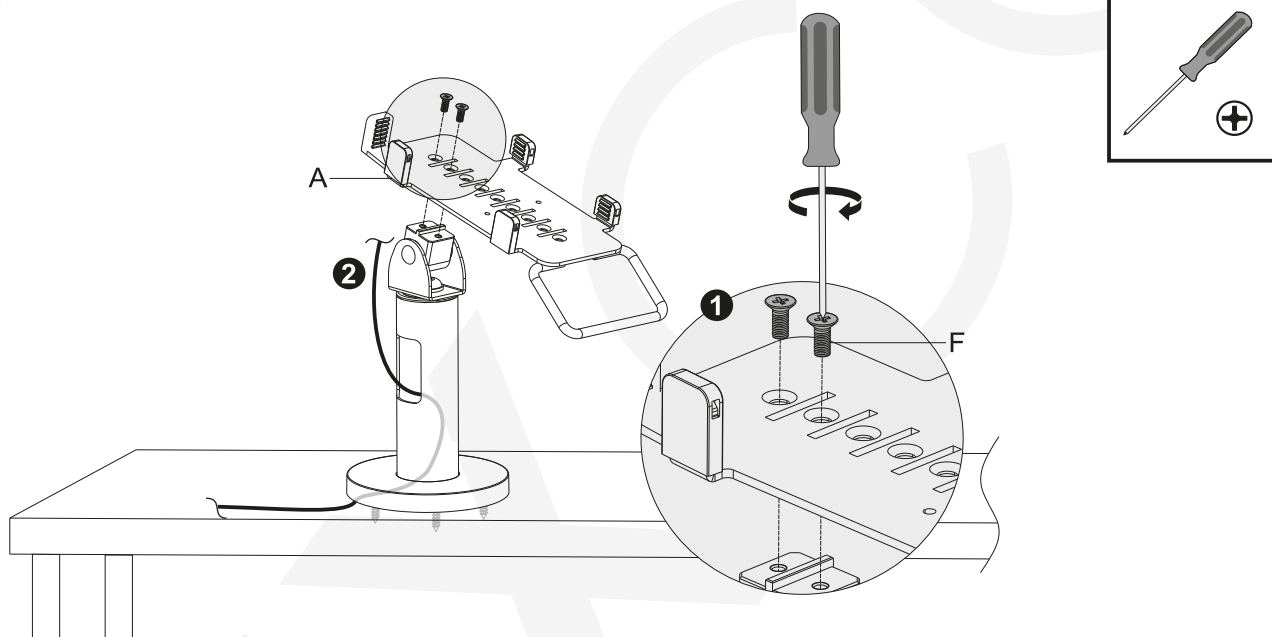
3



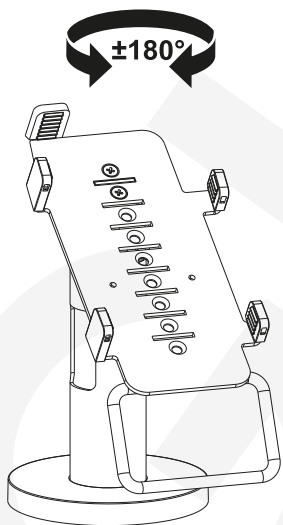
4



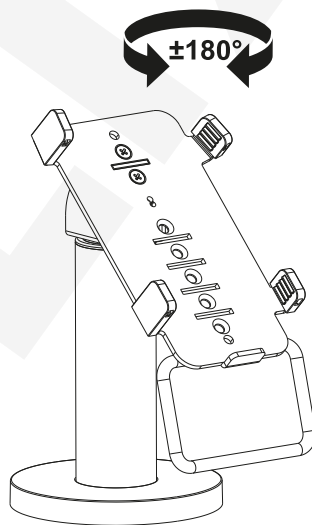
5



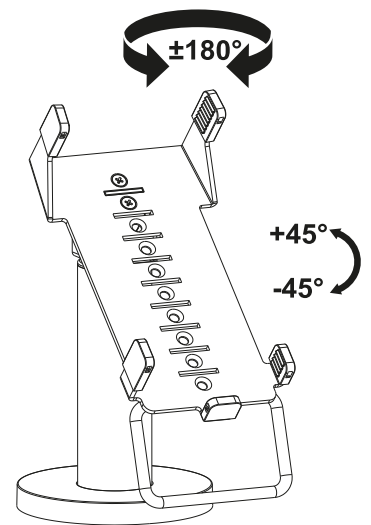
6



PTS-01



PTS-02



PTS-03