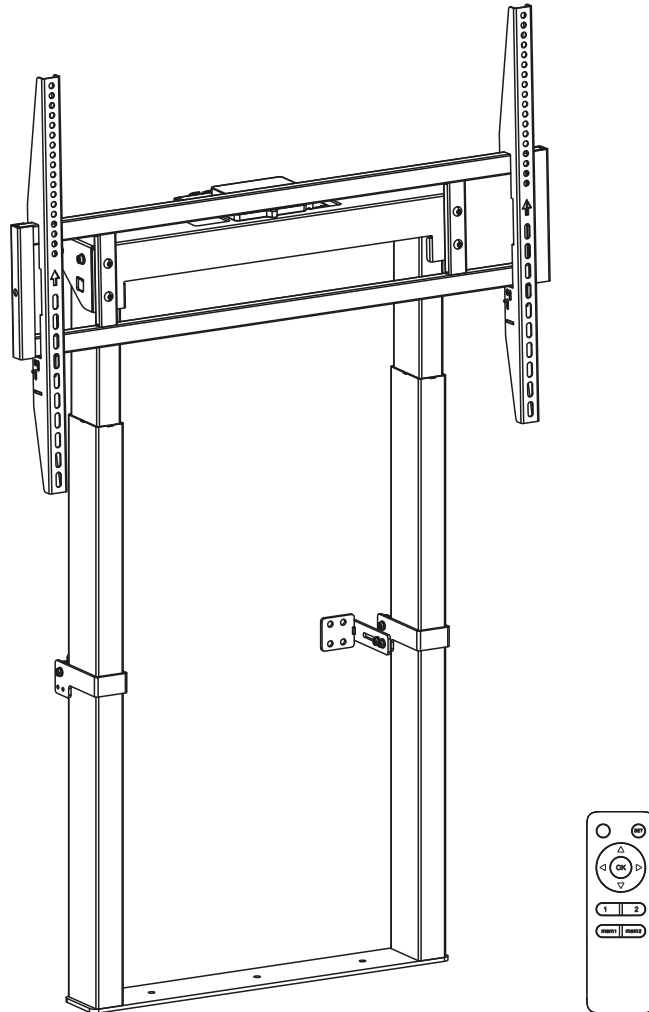



# MANUAL DE INSTALACIÓN



**SKU: PE1468FR**

**EN**  Read the entire instruction manual before you start installation and assembly. If you have any questions regarding any of the instructions or warnings, please contact your local distributor for assistance.



**CAUTION:** Use with products heavier than the rated weights indicated may result in instability causing possible injury.

• Mounts must be attached as specified in assembly instructions. Improper installation may result in damage or serious personal injury.

• Safety gear and proper tools must be used. This product should only be installed by professionals.

• Make sure that the supporting surface will safely support the combined weight of the equipment and all attached hardware and components.

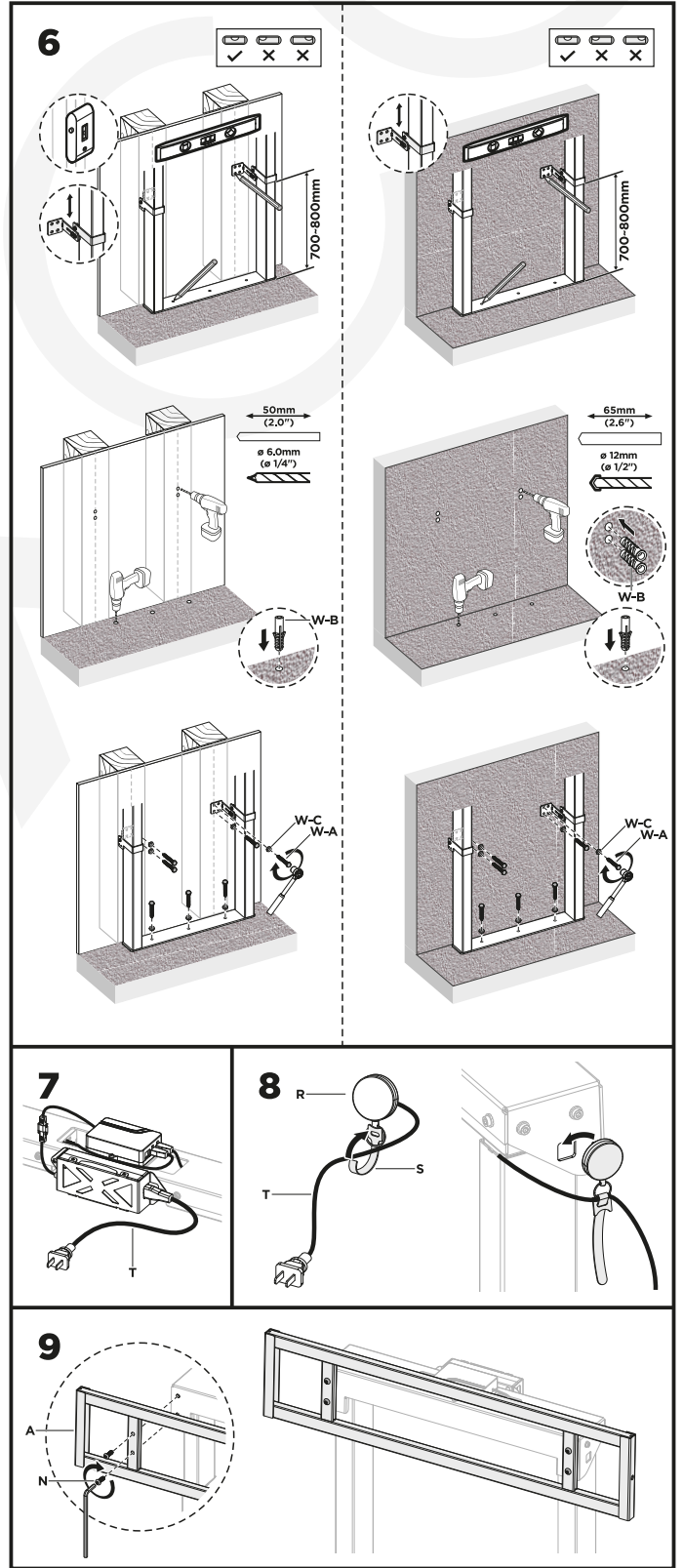
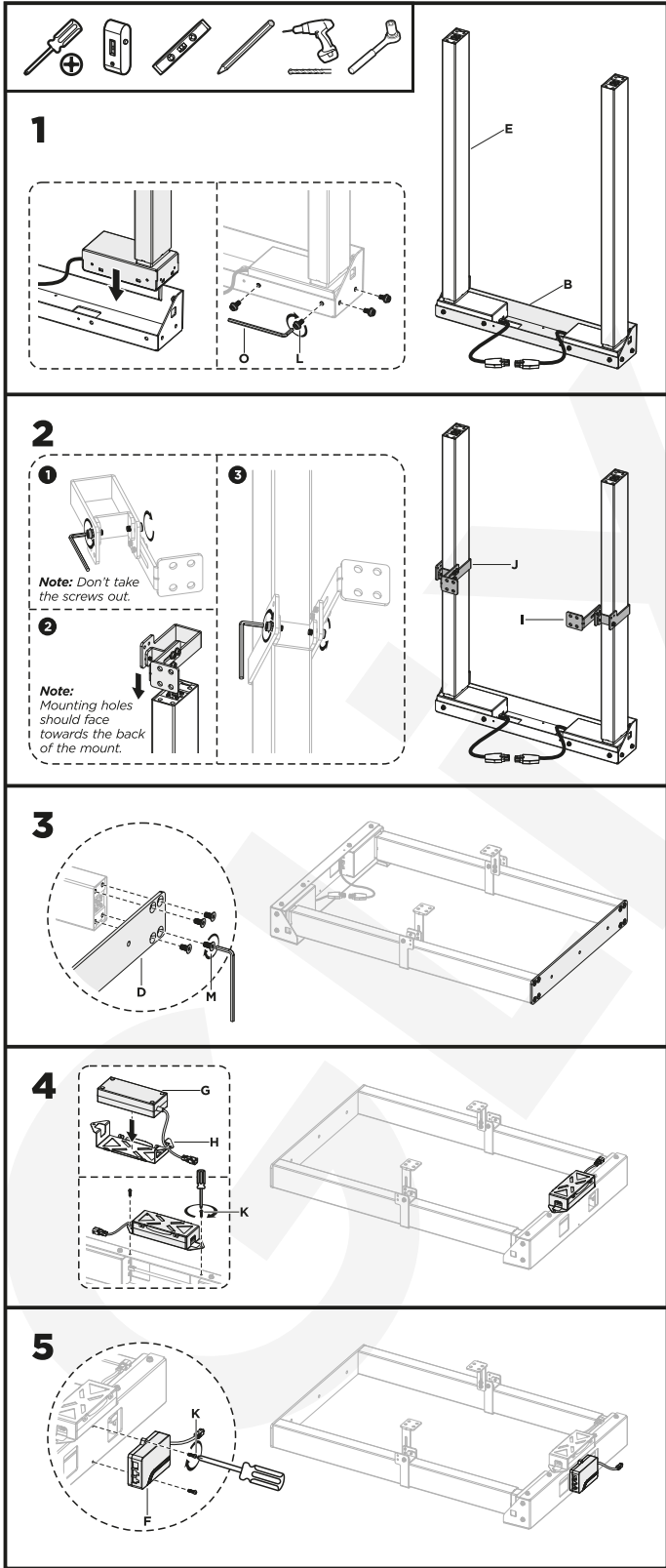
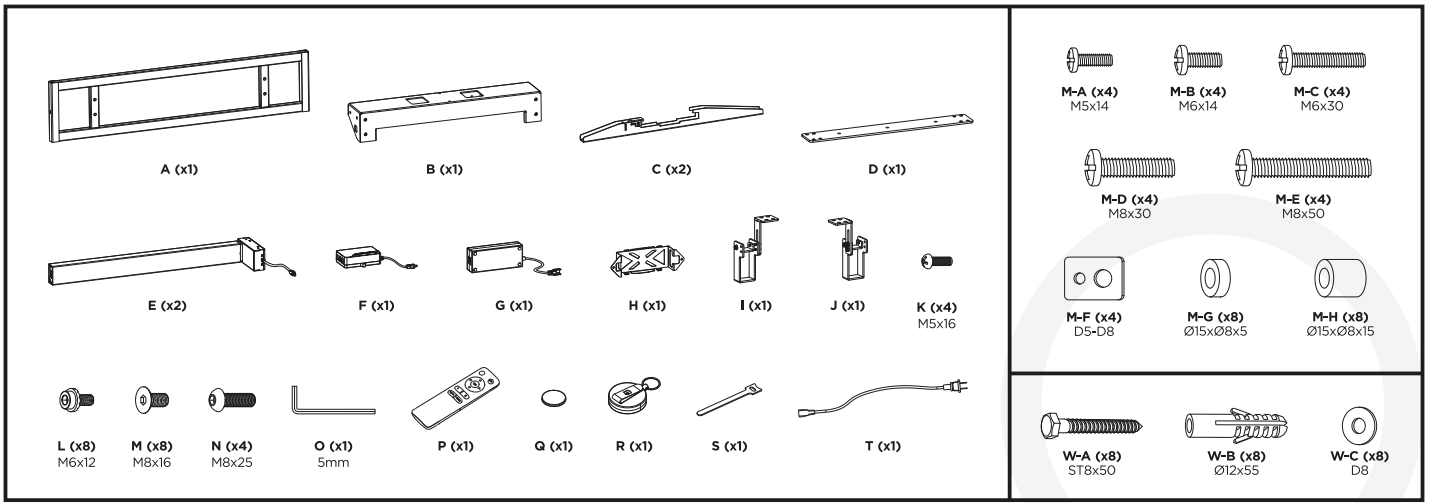
• Use the mounting screws provided and DO NOT OVER TIGHTEN mounting screws.

• This product contains small items that could be a choking hazard if swallowed. Keep these items away from children.

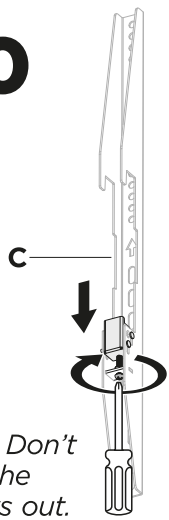
• This product is intended for indoor use only. Using this product outdoors could lead to product failure and personal injury.

**IMPORTANT:** Ensure that you have received all parts according to the component checklist prior to installation. If any parts are missing or faulty, telephone your local distributor for a replacement.

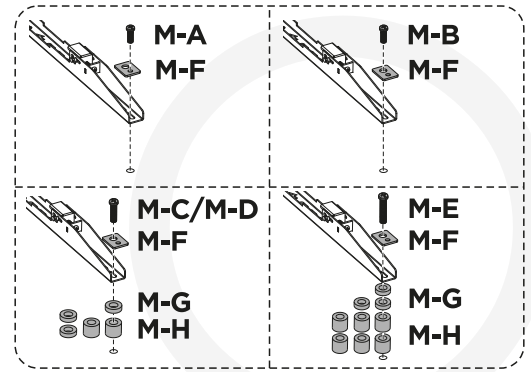
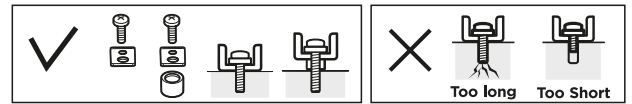
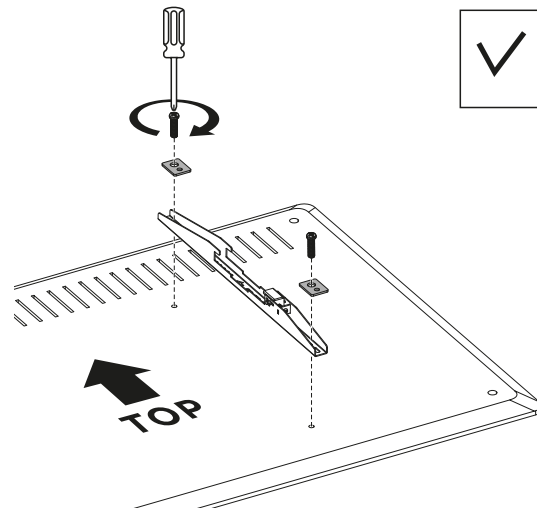
**MAINTENANCE:** Check that the bracket is secure and safe to use at regular intervals (at least every three months).



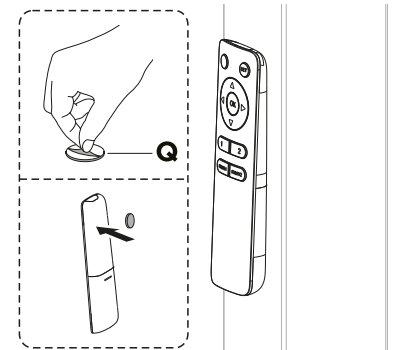
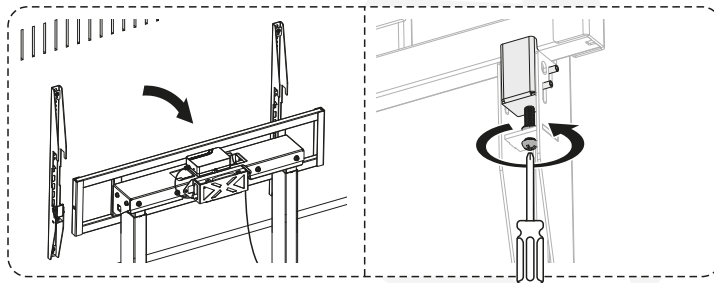
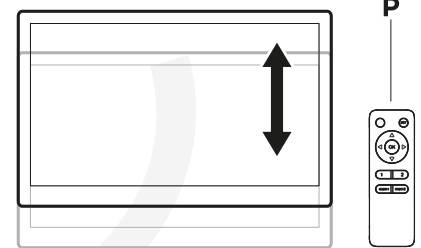
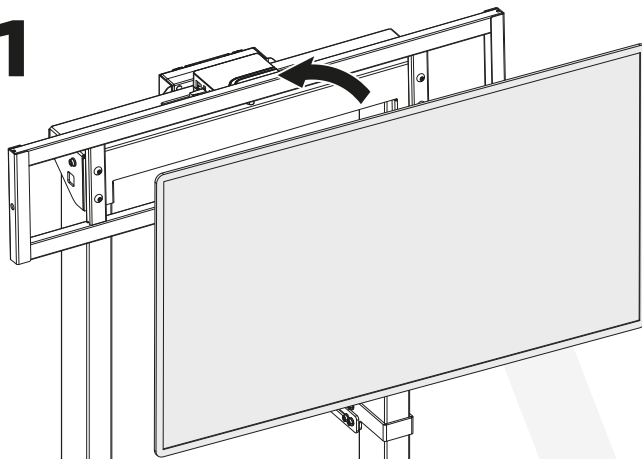
# 10



**Note:** Don't take the screws out.



# 11



**The product is powered by electricity. In order to avoid burns, fire and electric shock and make sure the safe and correct use of the system and maintain the longevity of the overall construction and the built-in electronics, please read the instructions carefully.**

## Warnings

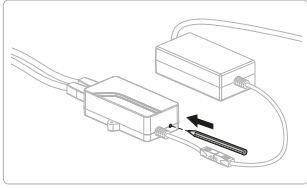
- This appliance can be used by children aged from 8 years and above if they have been given supervision or instruction concerning use of the appliance in a safe way and understand the hazards involved. Children shall not play with the appliance. Cleaning and user maintenance shall not be made by children without supervision.
- Persons with reduced physical, sensory or mental capabilities or lack of experience and knowledge must not use the appliance, unless they're under supervision, understand the hazards involved or they have been thoroughly instructed in the use of the apparatus by a person who is responsible for the safety of these persons.
- Don't leave the cords or plug unorganized in order to prevent tripping hazards.
- Any attempts to reconstruct the construction aren't allowed.

## Electrical Safety Instructions

- The appliance is only to be used with the power supply unit provided with the appliance. Alterations of the given power unit aren't allowed.
- Never operate the system with a damaged power supply cord or plug. If any parts is damaged, please contact your service agent of purchase for a replacement.
- Never operate the system if it's in moist environment or its electrical components has contact with liquids.
- Don't clean the product while the power is still connected.
- Don't disassemble or replace components while the power is still connected.
- Unplug the appliance when the system isn't in use, and place the power plug out of children reach.

**Note:** Insert 2 AAA batteries (not included) into the controller prior to adjust the TV Stand.

Adjust the height by pressing the "△" and "▽" button on the remote control. If the TV Stand fails to rise or lower, please match code between TV Stand and the remote control by following the instruction below



### Default Setting & Pairing the Remote to the Mount

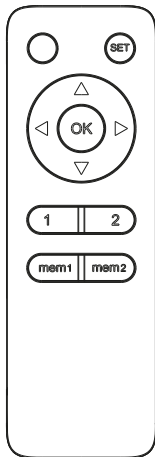
**STEP 1: Everytime the mount is powered on, the unit beeps consecutively**, indicating the mount is ready for default setting.

**If it is the first time you turn on the mount, you should pair the remote to the mount first then start default setting. See the STEP 2a below.**

**If it isn't the first time you turn on the mount, you should start default setting, and see the STEP 2b below.**

**STEP 2a:** Press the small button on the control box with a paper clip or pencil as shown. The unit stops beeping, then press the "SET" button on the remote control, then you hear consecutive beeps for around 10 seconds indicating the pairing is ongoing. After that, the unit beeps once again, and stop, meaning the pairing is completed. Long press the "OK" button. The mount automatically retract to lowest position. When the unit beeps once again, the default setting is accomplished.

**STEP 2b:** Long press the "OK" button. The unit stops beeping. Then, the mount automatically retract to the lowest position. When the unit beeps once again, the default setting is accomplished.



### Remote Control User Guide

#### 1. UP/DOWN ARROWS

Press and hold the "△" button to raise the Mount. Press and hold the "▽" button to lower the Mount.

**Note:** Remove all surrounding items prior to adjusting the Mount height.

#### 2. Memory Setting

Long press the "mem1" or "mem2" button for 3 seconds until you hear a beep, indicating that the current position has been saved to memory. The "mem1" "mem2" buttons can each store a height.

#### 3. Activate Height Settings

Press the "1" or "2" button and the mount will automatically get to the position saved in the corresponding button "mem1" or "mem2".

#### 4. Default Setting

Short press the "OK" button and the mount will automatically retract to the lowest position. To stop it, press the "OK" button again.

#### 5. Reset Mode

Long press the "OK" button for 3 seconds until you hear a beep, and the mount starts to move downwards. Then the mount will move upwards a little bit when reaching the lowest position and stop. The system resets successfully when the unit beeps twice.

#### 6. To Unpair a Remote Control

Press the small button on the control box with a paper clip or pencil as how you pairing the remote control. After hearing a beep, hold and press the button for 5 seconds until you hear a beep again, which indicates the unpairing is completed.



#### Disposal:

The product with this mark indicates that this product shouldn't be disposed with other household wastes throughout the EU. To prevent possible harm to the environment or human health from uncontrolled waste disposal, recycle it responsibly to promote the sustainable reuse of material resources. To return your used device, please use the local recycle service or contact your point of purchase to withdraw the product.

## Troubleshooting Guide

### 1. Can't operate

**There are 7 possibilities:**

- Incorrect operation. Check if the unit beeps once after pressing a button. If so, please follow the instructions found in the manual to properly operate the mount.
- The system of Mount may be error. Check if the unit beeps three times after pressing a button. If so, please reset the system.
- The system may be overheating. Check if the unit beeps four times after pressing a button. If so, allow the unit to cool down (about 30 minutes).
- The AC/DC end of the power cord may be unplugged/disconnect from the outlet/mount. Check the connection to ensure the unit is powered.
- The operating distance may be too far and not in range of the mount. Using the remote control within 30 feet (10m) from the Mounts.
- The batteries in the remote control may be low or dead. Replace the batteries.
- The remote control may be broken. Check to see if the indicator LED found on the remote lights when a button is pressed. If not, contact your place of purchase for a replacement.

### 2. The TV mount stops moving during operation and emits a long beep.

- Remove all surrounding items.
- The weight of TV may exceed the maximum weight limitation of the mounting system.
- The motor wire may be broken. Reset the system. If the problem still exists, contact your place of purchase for replacement.

### 3. The TV mount is making an abnormal noise or sound.

- Check all power connections and reset the system. If the unit continues to make an abnormal noise, please contact your place of purchase for a replacement.