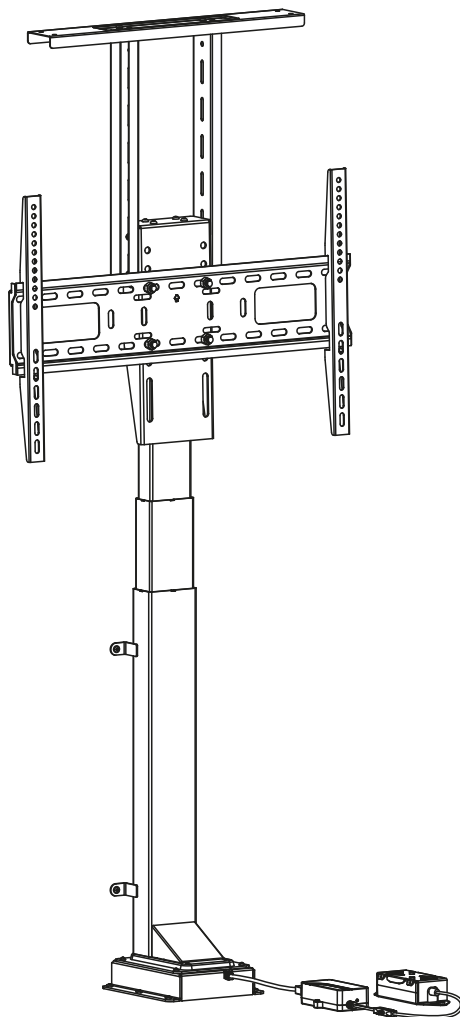


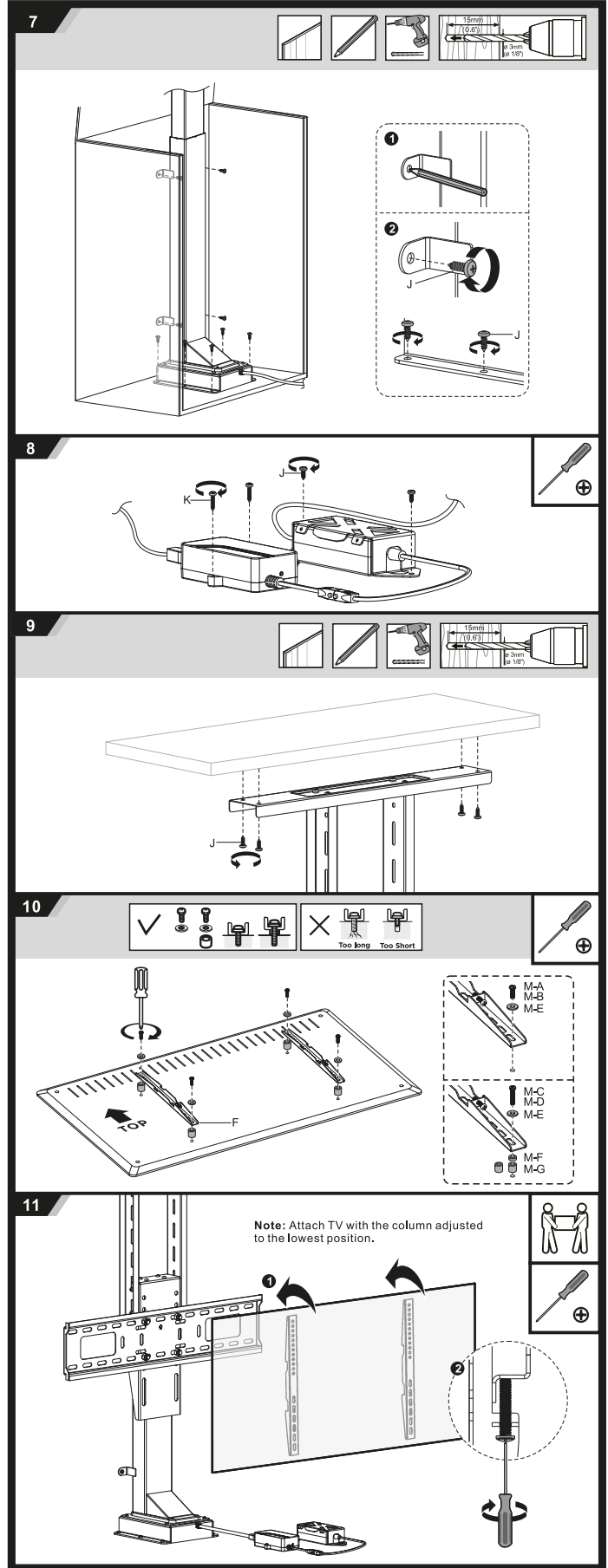
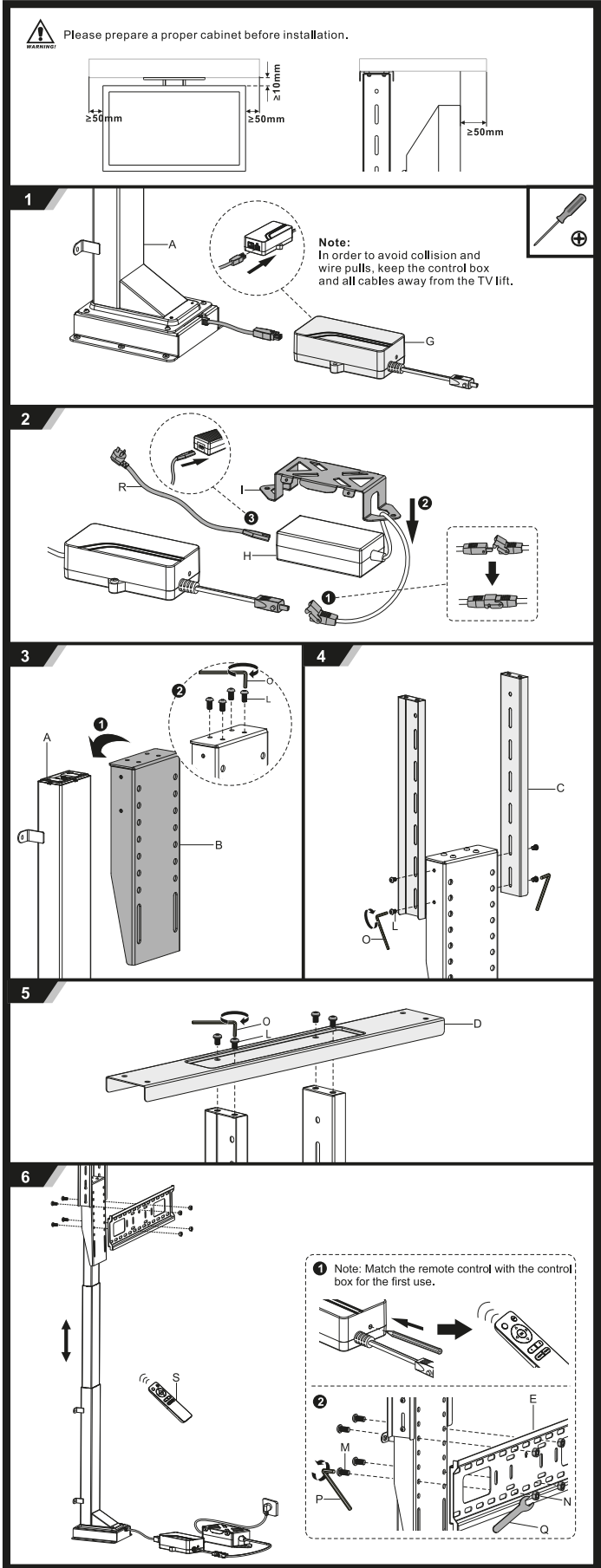
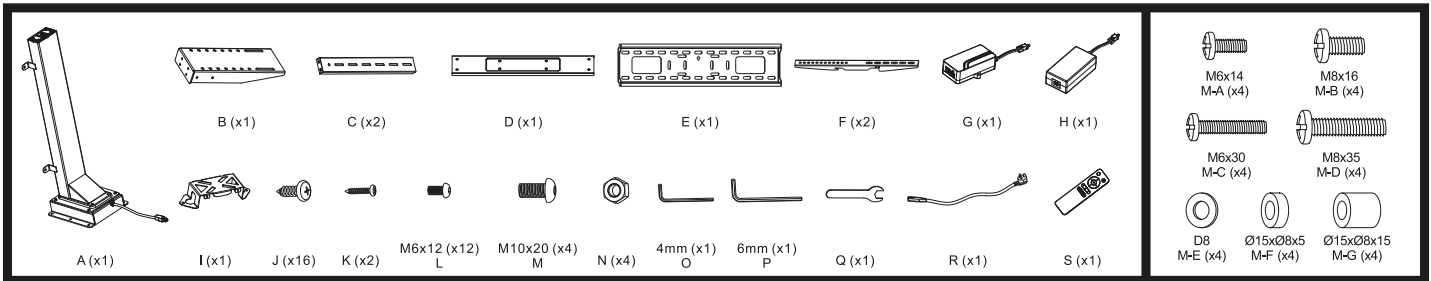


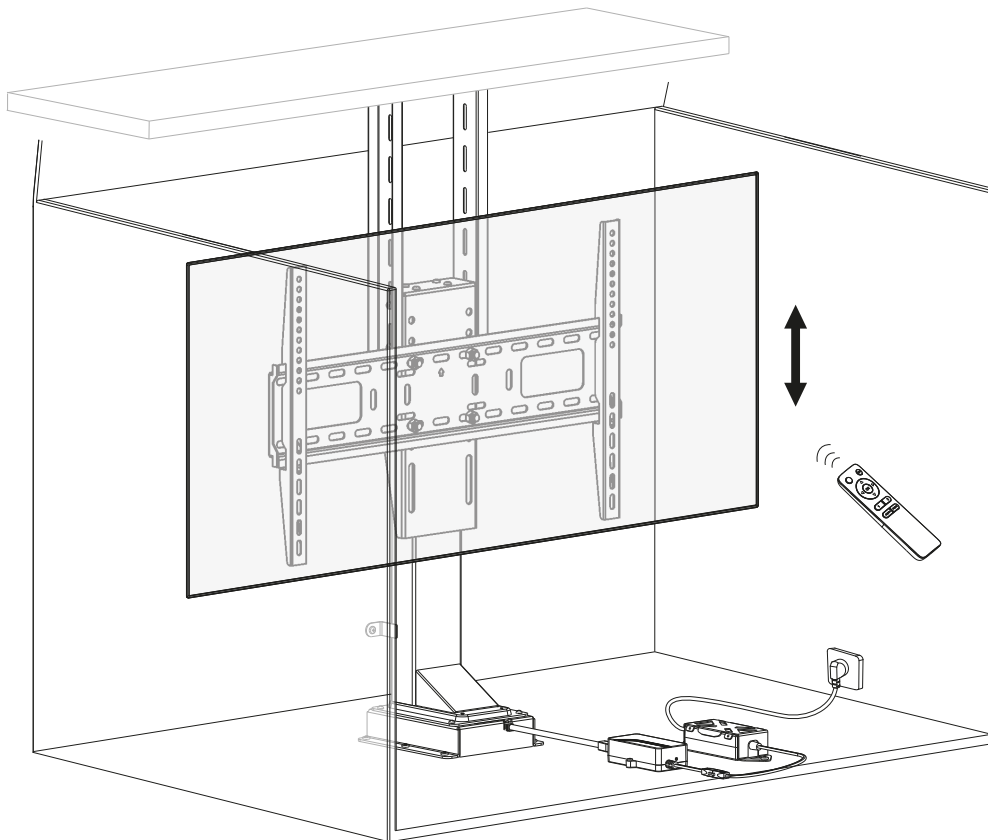
# MANUAL DE INSTALACIÓN



**SKU: P6646M**

- EN  Read the entire instruction manual before you start installation and assembly. If you have any questions regarding any of the instructions or warnings, please contact your local distributor for assistance.
-  **CAUTION:** Use with products heavier than the rated weights indicated may result in instability causing possible injury.
- Mounts must be attached as specified in assembly instructions. Improper installation may result in damage or serious personal injury.
  - Safety gear and proper tools must be used. This product should only be installed by professionals.
  - Make sure that the supporting surface will safely support the combined weight of the equipment and all attached hardware and components.
  - Use the mounting screws provided and DO NOT OVER TIGHTEN mounting screws.
  - This product contains small items that could be a choking hazard if swallowed. Keep these items away from children.
  - This product is intended for indoor use only. Using this product outdoors could lead to product failure and personal injury.
- IMPORTANT:** Ensure that you have received all parts according to the component checklist prior to installation. If any parts are missing or faulty, telephone your local distributor for a replacement.
- MAINTENANCE:** Check that the bracket is secure and safe to use at regular intervals (at least every three months).





The product is powered by electricity. In order to avoid burns, fire and electric shock and make sure the safe and correct use of the system and maintain the longevity of the overall construction and the built-in electronics, please read the instructions carefully.

### Warnings

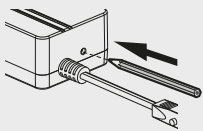
- This appliance can be used by children aged from 8 years and above if they have been given supervision or instruction concerning use of the appliance in a safe way and understand the hazards involved. Children shall not play with the appliance. Cleaning and user maintenance shall not be made by children without supervision.
- Persons with reduced physical, sensory or mental capabilities or lack of experience and knowledge must not use the appliance, unless they're under supervision, understand the hazards involved or they have been thoroughly instructed in the use of the apparatus by a person who is responsible for the safety of these persons.
- Don't leave the cords or plug unorganized in order to prevent tripping hazards.
- Any attempts to reconstruct the construction aren't allowed.

### Electrical Safety Instructions

- The appliance is only to be used with the power supply unit provided with the appliance. Alterations of the given power unit aren't allowed.
- Never operate the system with a damaged power supply cord or plug. If any parts is damaged, please contact your service agent of purchase for a replacement.
- Never operate the system if it's in moist environment or its electrical components has contact with liquids.
- Don't clean the product while the power is still connected.
- Don't disassemble or replace components while the power is still connected.
- Unplug the appliance when the system isn't in use, and place the power plug out of children reach.

## Remote Control Operation Instructions

### A. Coding of Remote Control and Control Box



**STEP1:** When the mount is powered on, press the small button on the control box with a thin tool as shown. The unit will emit a beep, indicating that the control box is on standby for program coding.

**STEP2:** Press the "SET" button on the remote control, and you will hear repeated beeps for approximate 10 seconds indicating that the remote control is being programmed. The unit will emit a beep again indicating success.

**Note:** Clear up the historical data when replacing a new remote control to pair. Press the small button on the control box with hearing a beep, and hold for 5 seconds to confirm the data-cleaning process is completed until you hear a beep again.

## B. Button Functions

### 1.Upward/Downward Movement

Press and hold the "△" button to lift the mount. Press and hold the "▽" button to lower the mount. (Tips: Clear up all obstacles within the range of motion.)

### 2.Memory Setting

Long press the "mem1" or "mem2" button for 3 seconds until you hear a beep, indicating that the current position has been saved to memory. The "mem1" "mem2" buttons can each store a different position.

### 3.Recall Memory

Press the "1" or "2" button and the mount will automatically get to the position saved in the corresponding button "mem1" or "mem2".

### 4.Lowest Height Limit Setting

Short press the "mem1" button five times, after each press you will hear a beep and at the fifth press two beeps. This indicates the current height is now saved as the lowest height setting. The lowest height limit will be erased should the remote control be reset.

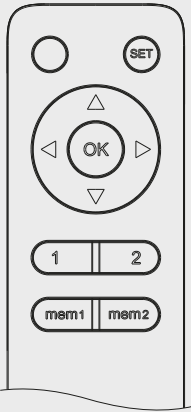
### 5.Default Setting

Short press the "OK" button and the mount will automatically retract to the lowest position. To stop it, press the "OK" button again.

### 6.Reset Mode

Long press the "OK" button for 3 seconds until you hear a beep, and the mount starts to move downwards. Then the mount will move upwards a little bit when reaching the lowest position and automatically come to a stop. The system resets successfully when the unit emits two beeps.

**Note:** The remote control is powered by two AAA batteries (not included).



#### Disposal:

The product with this mark indicates that this product shouldn't be disposed with other household wastes throughout the EU. To prevent possible harm to the environment or human health from uncontrolled waste disposal, recycle it responsibly to promote the sustainable reuse of material resources. To return your used device, please use the local recycle service or contact your point of purchase to withdraw the product.

## Troubleshooting Guide

### In Front



This Troubleshooting Guide will assist you in identifying and solving common problems and answering questions you may have about the product. Contact your place of purchase should the answer to your question or problem not be found in this Troubleshooting Guide and/or for any after service parts and sales support.

### 1.Possible reasons motorized mount does not respond to remote control.

#### A.TV Mount

- The system may be error. Check if the unit beeps three times after pressing the button. If so, please reset the system.
- The system may be overheating. Check if the unit beeps four times after pressing the button. If so, allow the unit to cool down and return to room temperature. (about 30 minutes)
- The AC/DC end of the power cord may be unplugged/disconnect from the outlet/mount. Check the connection to ensure the unit has power.
- Incorrect operation. Check if the unit beeps once after pressing the button. If so, please follow the instructions found in the manual to properly operate the mount.

#### B.Remote Control

- The remote control operating distance may be too far and not in range of the mount. Acceptable range should be less than 30 feet (10m).
- The batteries in the remote control may be low or dead. Replace the batteries.
- The remote control may be broken. Check to see if the indicator LED found on the remote lights when a button is pressed. If not, contact your place of purchase for a replacement.

### 2.The TV mount stops moving during operation and emits a long beep.

- Check to see if a foreign object is impeding the mount from moving. If so, remove the object and discard.
- The weight of TV may exceed the maximum weight limitation of the mounting system.
- The motor wire may be broken. Reset the system. If the problem still exists, contact your place of purchase for replacement.

### 3.The TV mount is making an abnormal noise or sound.

- Check all power connections and reset the system. If the unit continues to make an abnormal noise, please contact your place of purchase for a replacement.