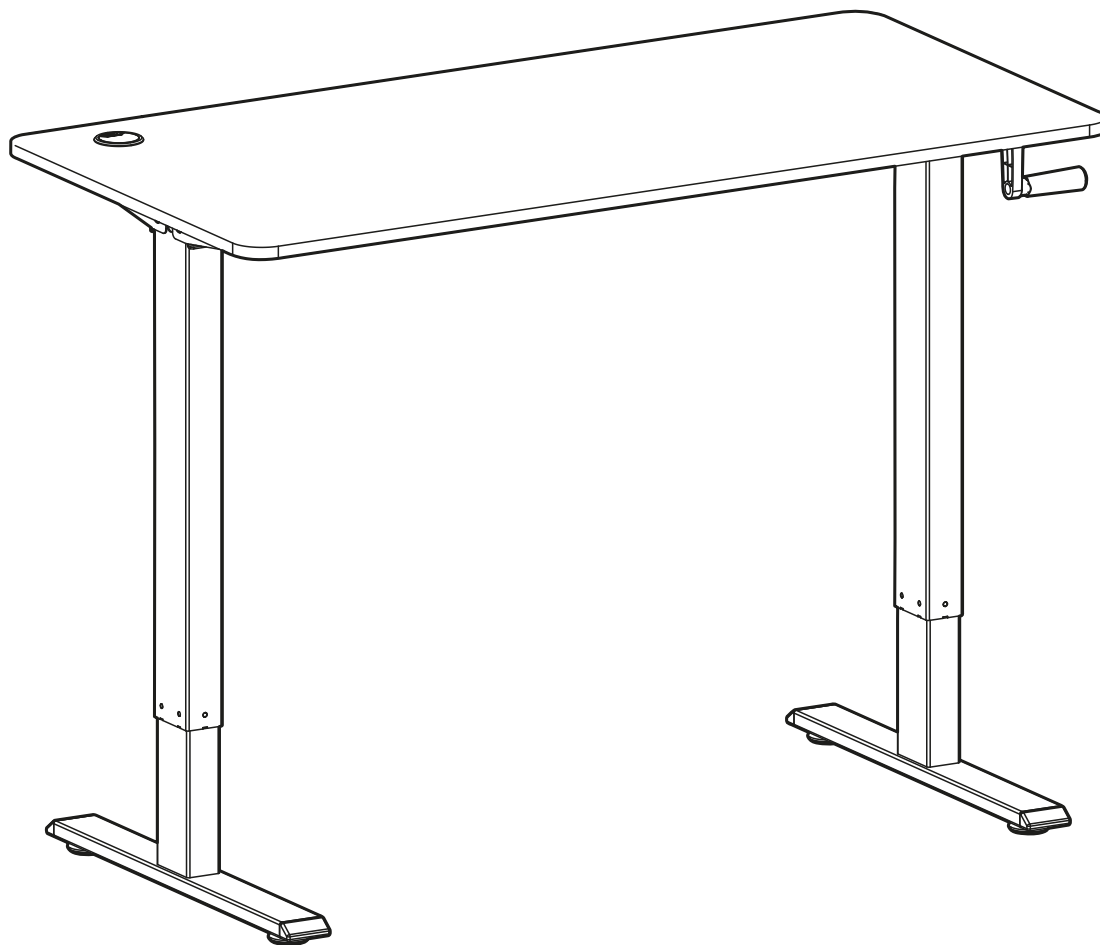



MANUAL DE INSTALACIÓN

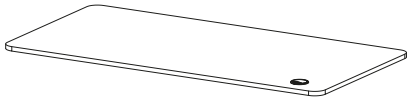


SKU: N1222RB

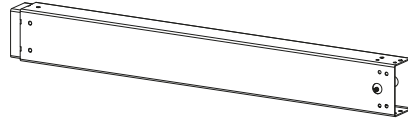
- EN**  Read the entire instruction manual before you start installation and assembly. If you have any questions regarding any of the instructions or warnings, please contact your local distributor for assistance.
- CAUTION:** Use with products heavier than the rated weights indicated may result in instability causing possible injury.
- Mounts must be attached as specified in assembly instructions. Improper installation may result in damage or serious personal injury.
 - Safety gear and proper tools must be used. This product should only be installed by professionals.
 - Make sure that the supporting surface will safely support the combined weight of the equipment and all attached hardware and components.
 - Use the mounting screws provided and DO NOT OVER TIGHTEN mounting screws.
 - This product contains small items that could be a choking hazard if swallowed. Keep these items away from children.
 - This product is intended for indoor use only. Using this product outdoors could lead to product failure and personal injury.
- IMPORTANT:** Ensure that you have received all parts according to the component checklist prior to installation. If any parts are missing or faulty, telephone your local distributor for a replacement.
- MAINTENANCE:** Check that the bracket is secure and safe to use at regular intervals (at least every three months).

Checklist and Installation

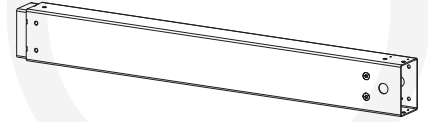
Please check all of the components shown in the component checklist. If any of the components are missing or damaged, contact your point of purchase for a replacement.



A (x1)
Desktop



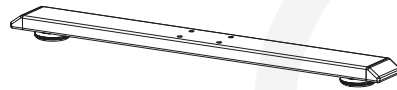
B (x1)
Lifting Column



C (x1)
Lifting Column



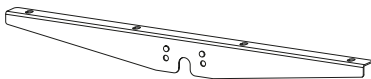
D (x1)
Sync Rod



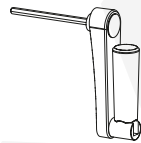
E (x2)
Foot



F (x2)
Crossbar



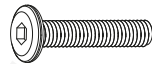
G (x2)
Side Bracket



H (x1)
Handle



S-A (x20)
M6x12
Hex Head
Screw



S-B (x8)
M6x30
Hex Head
Screw



S-C (x1)
4mm
Allen Wrench

What important specifications should know before installation?



Weight Capacity
70kg (154lbs)



Operation Temperature
(-5°C~+40°C)

What tools are needed to assemble the desk frame?



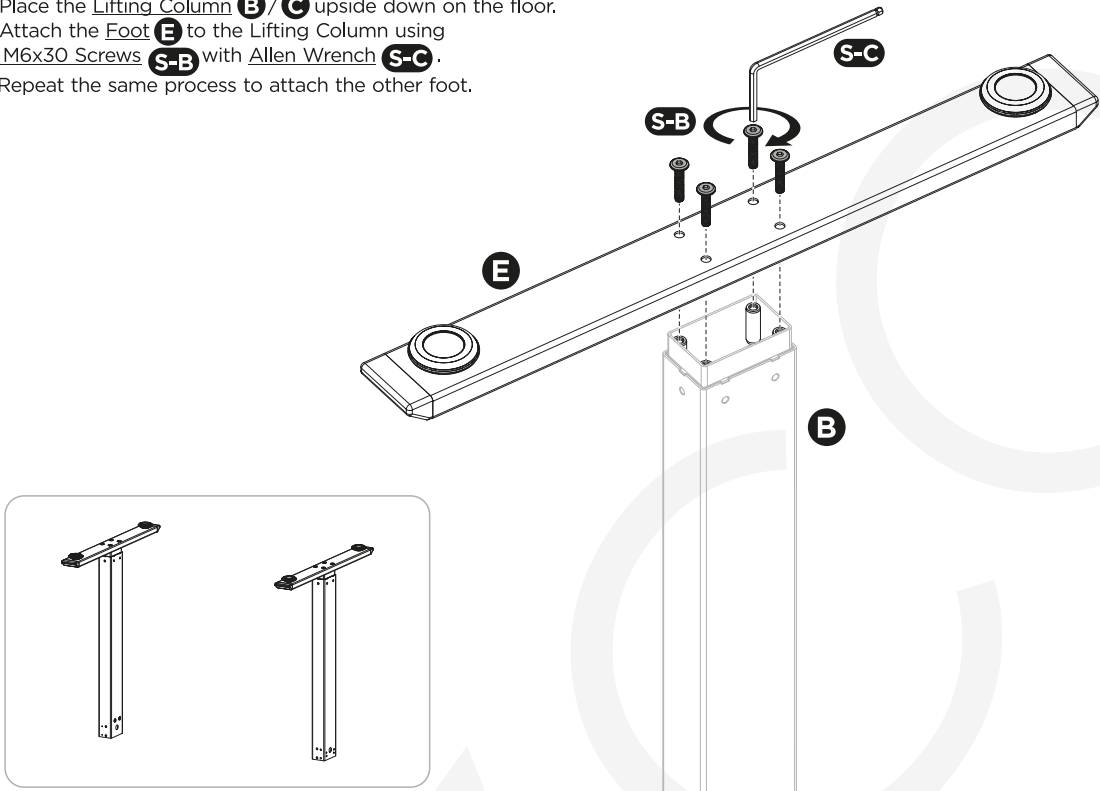
Bubble Level



Allen Wrench
(Included)

1. Attaching the Feet

- Place the Lifting Column **B**/**C** upside down on the floor.
- Attach the Foot **E** to the Lifting Column using 4 M6x30 Screws **S-B** with Allen Wrench **S-C**.
- Repeat the same process to attach the other foot.



2. Attaching the Sync Rod

Insert two ends of the Sync Rod **D** into the holes on the inner side of two Lifting Columns.

