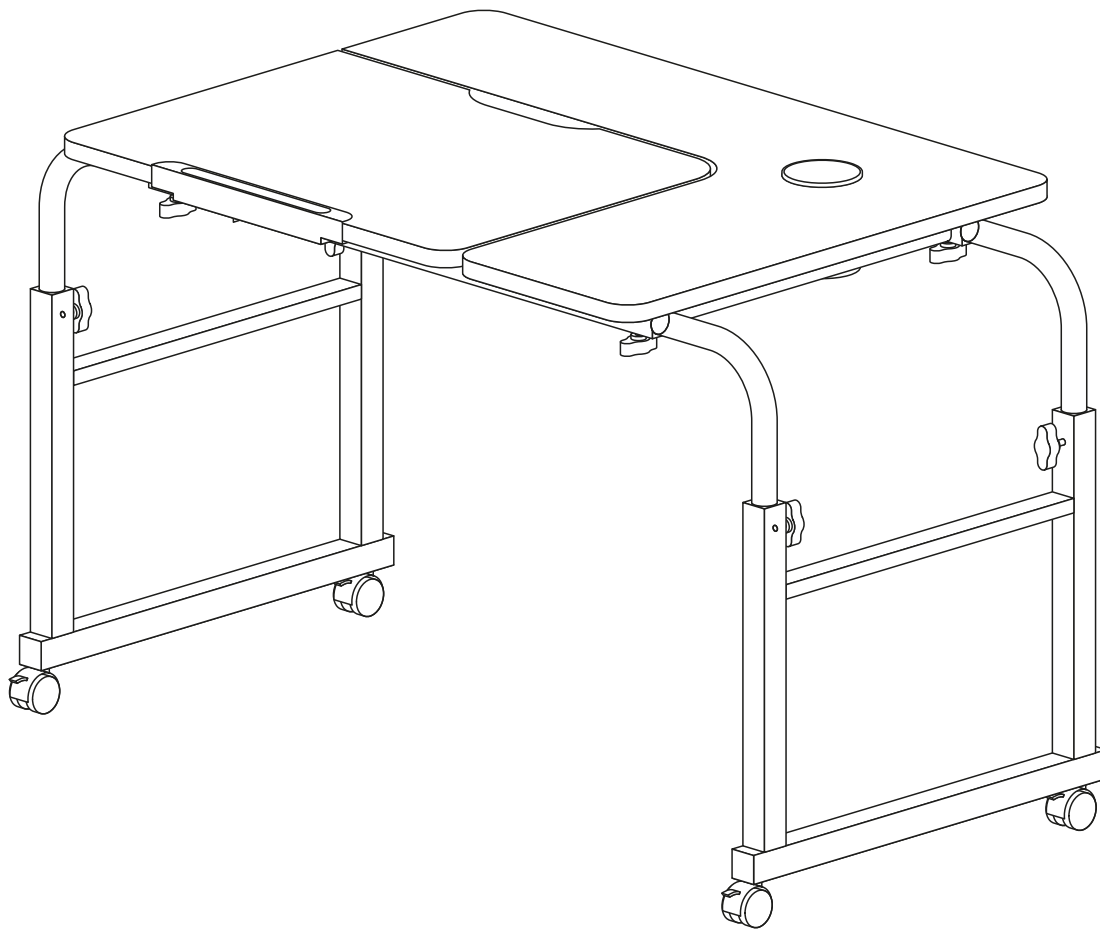


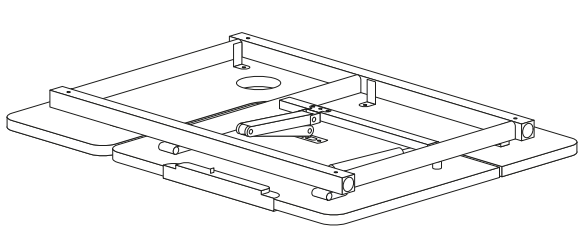


MANUAL DE INSTALACIÓN

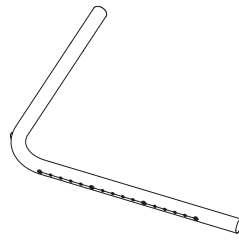


SKU: FWS102

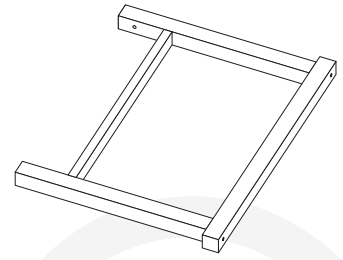
- EN**  Read the entire instruction manual before you start installation and assembly. If you have any questions regarding any of the instructions or warnings, please contact your local distributor for assistance.
-  **CAUTION:** Use with products heavier than the rated weights indicated may result in instability causing possible injury.
- Mounts must be attached as specified in assembly instructions. Improper installation may result in damage or serious personal injury.
 - Safety gear and proper tools must be used. This product should only be installed by professionals.
 - Make sure that the supporting surface will safely support the combined weight of the equipment and all attached hardware and components.
 - Use the mounting screws provided and DO NOT OVER TIGHTEN mounting screws.
 - This product contains small items that could be a choking hazard if swallowed. Keep these items away from children.
 - This product is intended for indoor use only. Using this product outdoors could lead to product failure and personal injury.
- IMPORTANT:** Ensure that you have received all parts according to the component checklist prior to installation. If any parts are missing or faulty, telephone your local distributor for a replacement.
- MAINTENANCE:** Check that the bracket is secure and safe to use at regular intervals (at least every three months).



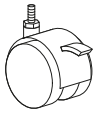
B1



B2 (x4)



B3 (x2)



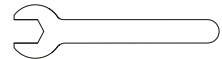
B4 (x4)



B5 (x8)

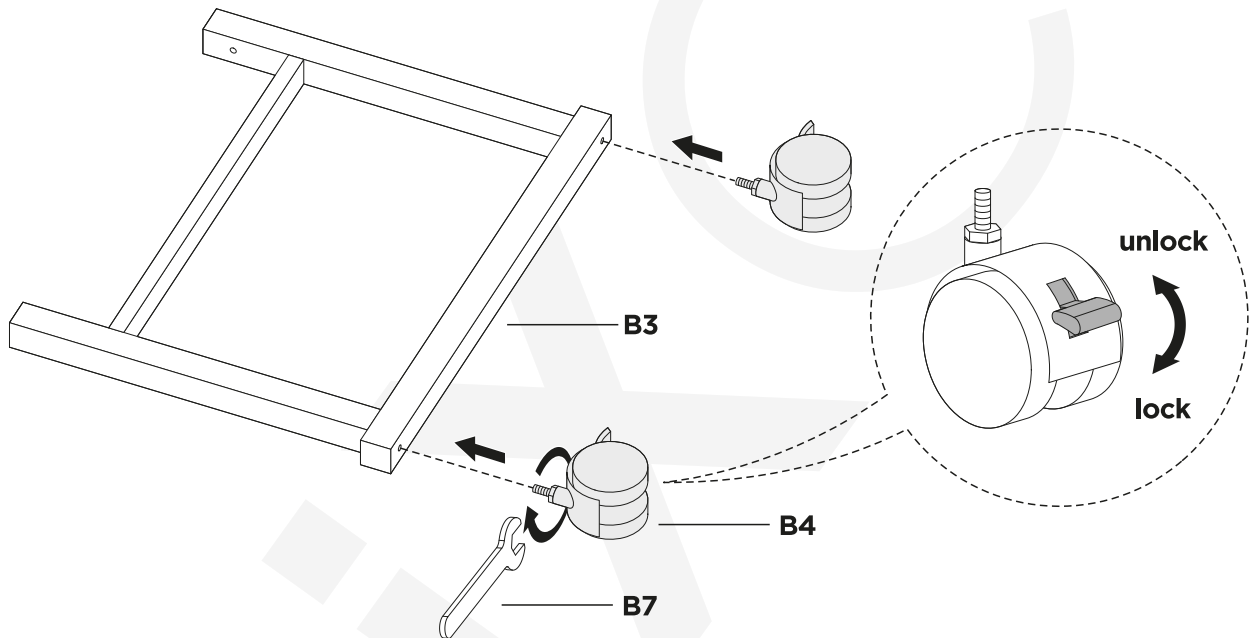


B6

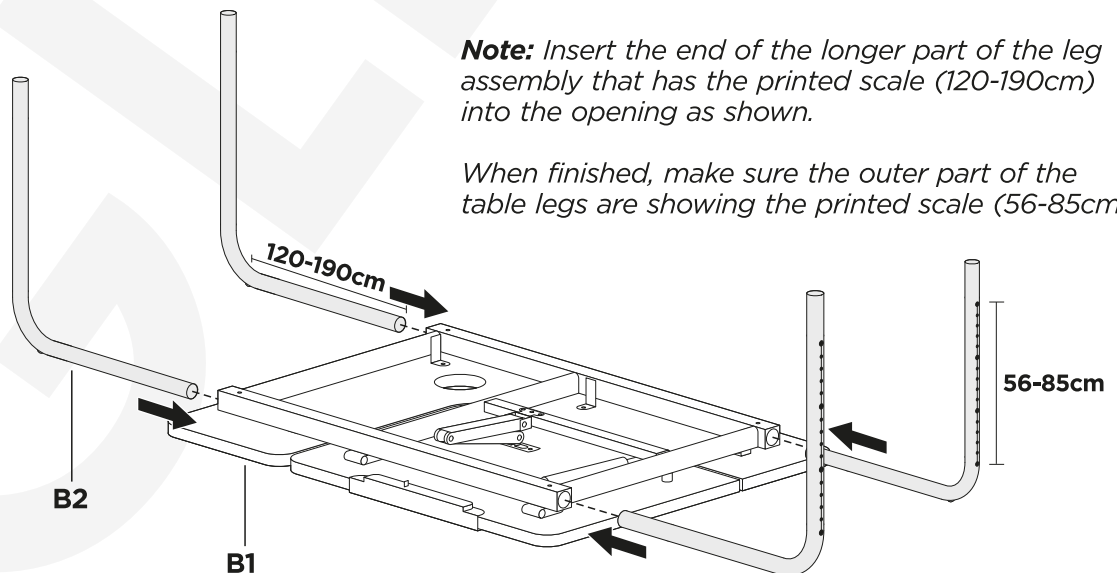


B7

1



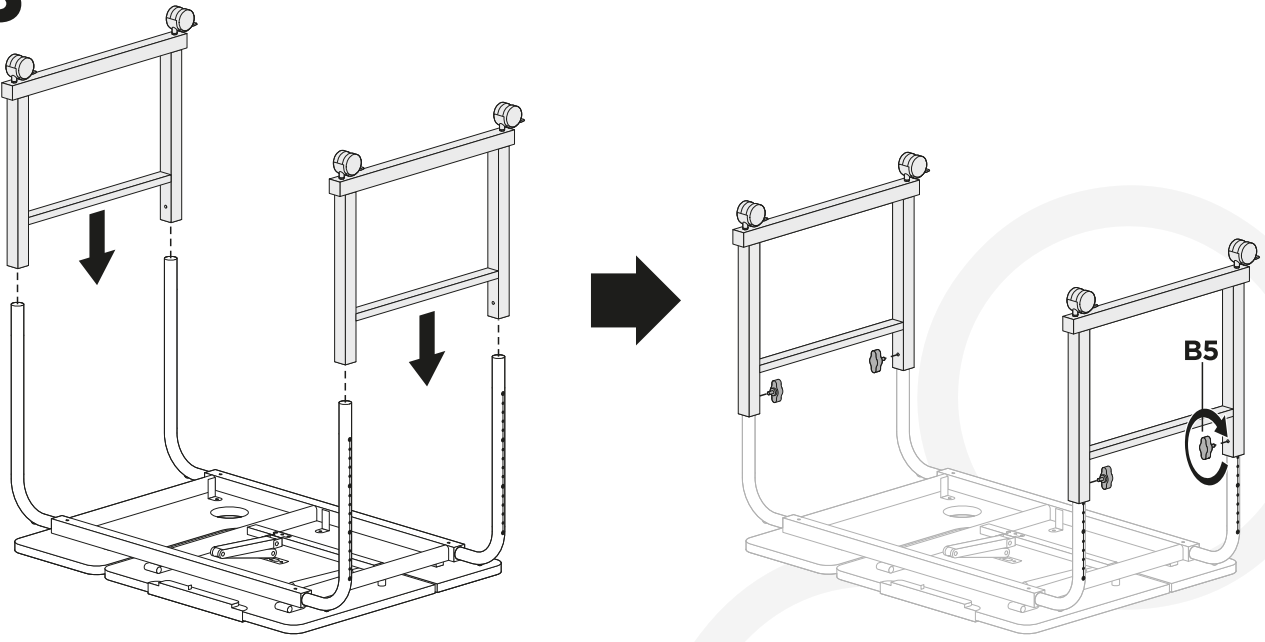
2



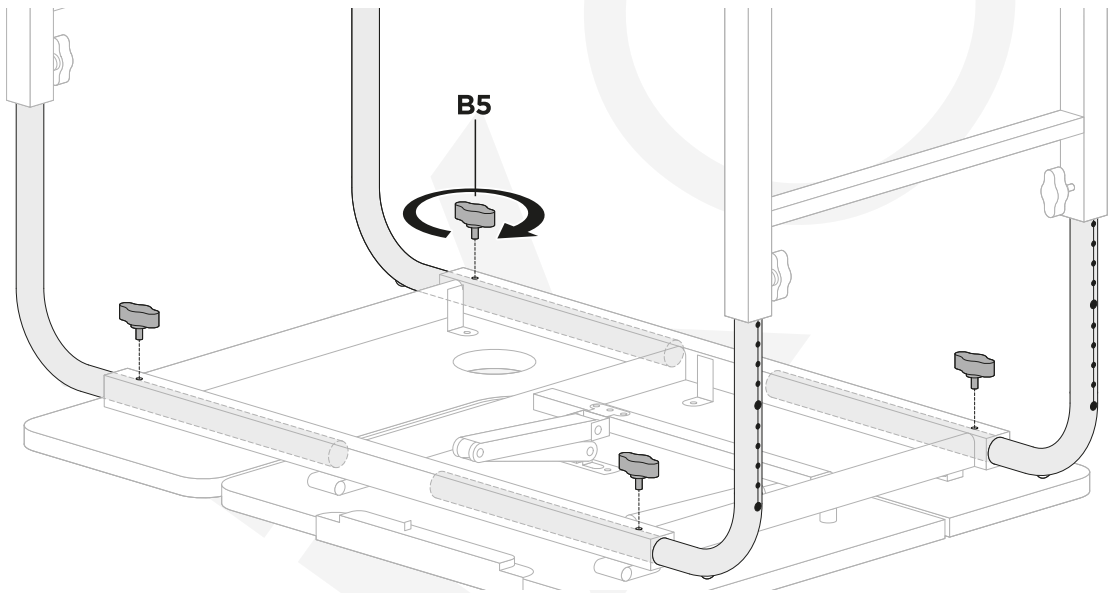
Note: Insert the end of the longer part of the leg assembly that has the printed scale (120-190cm) into the opening as shown.

When finished, make sure the outer part of the table legs are showing the printed scale (56-85cm).

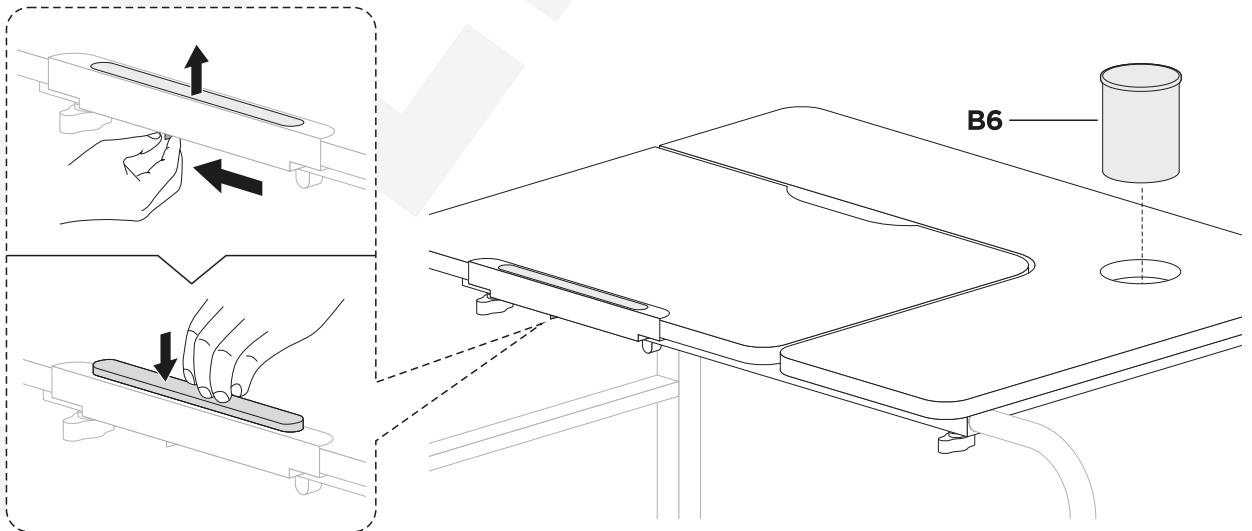
3



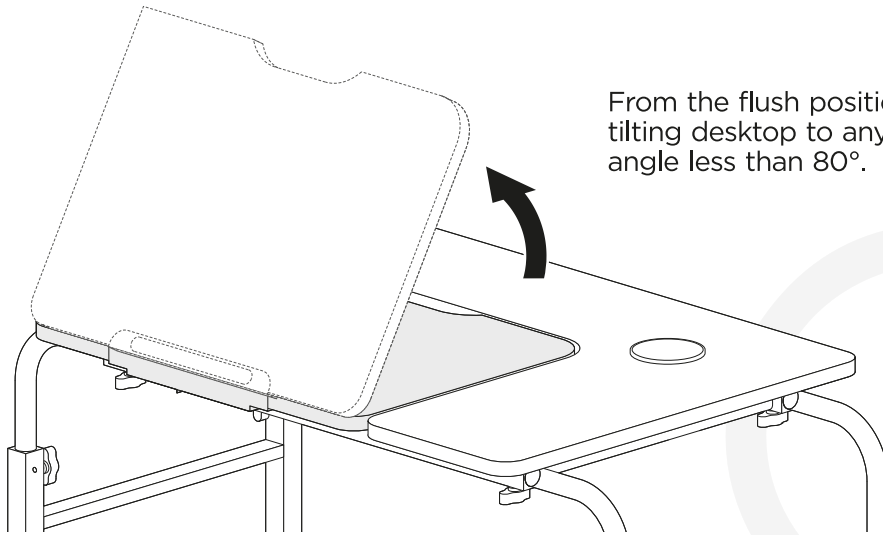
4



5

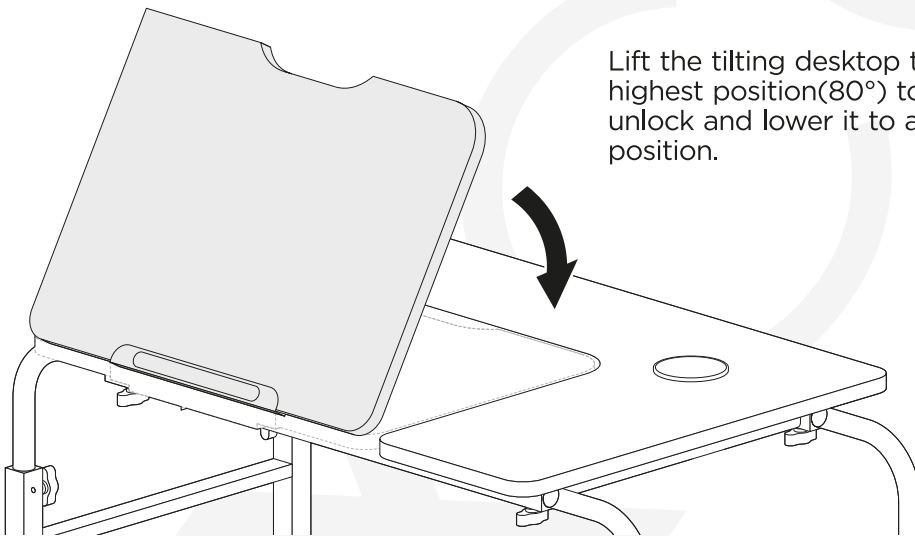


6

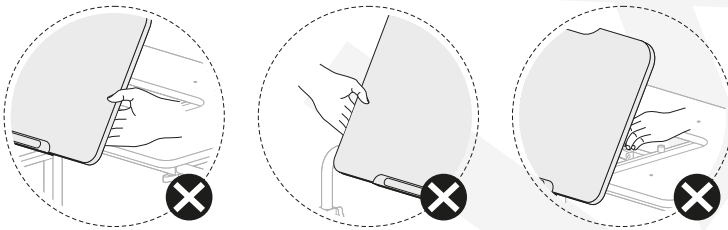


From the flush position, lift the tilting desktop to any desired angle less than 80°.

7



Lift the tilting desktop to the highest position(80°) to unlock and lower it to a flush position.



! CAUTION

DO NOT place hands on or near support bars. Pinch points are created during lifting and lowering the desktop. Failure to follow this instruction may result in serious personal injury.

8

