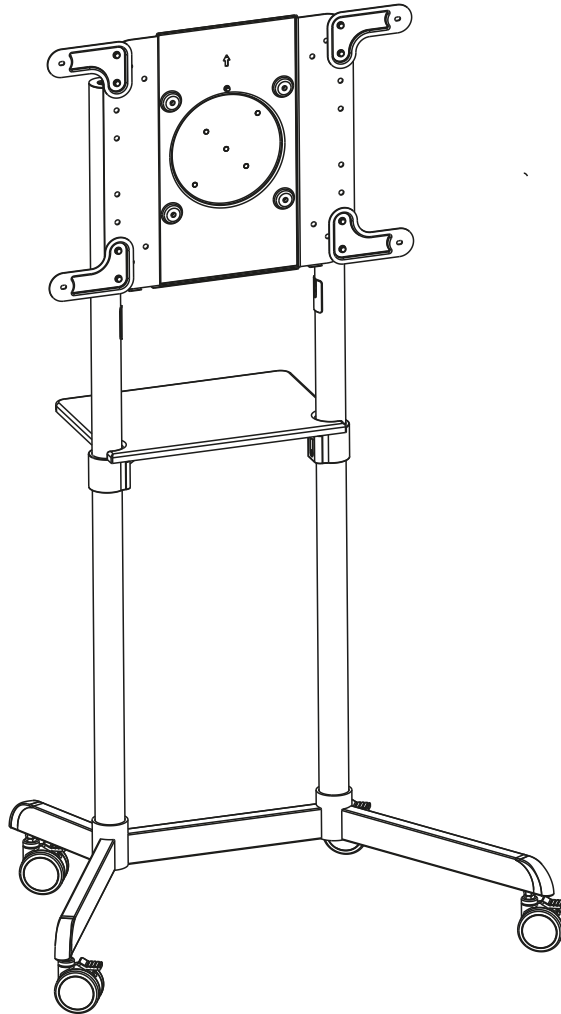



# MANUAL DE INSTALACIÓN



**SKU: CART1146TW**

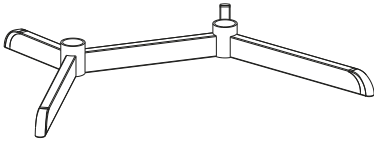
**EN**  Read the entire instruction manual before you start installation and assembly. If you have any questions regarding any of the instructions or warnings, please contact your local distributor for assistance.



- CAUTION:** Use with products heavier than the rated weights indicated may result in instability causing possible injury.
- Mounts must be attached as specified in assembly instructions. Improper installation may result in damage or serious personal injury.
  - Safety gear and proper tools must be used. This product should only be installed by professionals.
  - Make sure that the supporting surface will safely support the combined weight of the equipment and all attached hardware and components.
  - Use the mounting screws provided and DO NOT OVER TIGHTEN mounting screws.
  - This product contains small items that could be a choking hazard if swallowed. Keep these items away from children.
  - This product is intended for indoor use only. Using this product outdoors could lead to product failure and personal injury.

**IMPORTANT:** Ensure that you have received all parts according to the component checklist prior to installation. If any parts are missing or faulty, telephone your local distributor for a replacement.

**MAINTENANCE:** Check that the bracket is secure and safe to use at regular intervals (at least every three months).



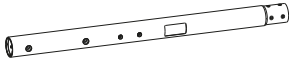
**A (x1)**  
base



**B (x4)**  
caster



**C (x2)**  
base column



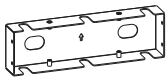
**D (x2)**  
upper column



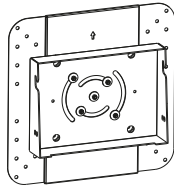
**E (x1)**  
equipment shelf



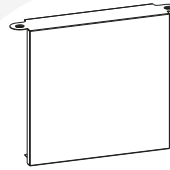
**F (x2)**  
shelf mounting bracket



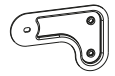
**G (x1)**  
front cover



**H (x1)**  
mounting plate



**I (x1)**  
rear cover



**J (x2)**  
VESA extension  
adapter arm



**K (x2)**  
VESA extension  
adapter arm



**L (x4)**  
cable cover



**M (x8)**  
M8x20



**N (x8)**  
M6x8



**O (x16)**  
M6x12



**P (x1)**  
M6x18



**Q (x8)**  
M8x8



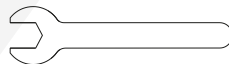
**R (x5)**  
cable clip holder



**S (x5)**  
cable clip



**T (x1)**  
M6 wrench



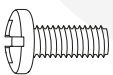
**U (x1)**  
M10 wrench



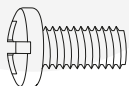
**V (x1)**  
4mm Allen key



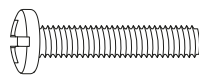
**W (x1)**  
5mm Allen key



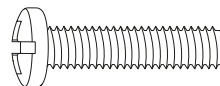
**M-A (x4)**  
M6x14



**M-B (x4)**  
M8x16



**M-C (x4)**  
M6x30



**M-D (x4)**  
M8x35



**M-E (x4)**  
D8

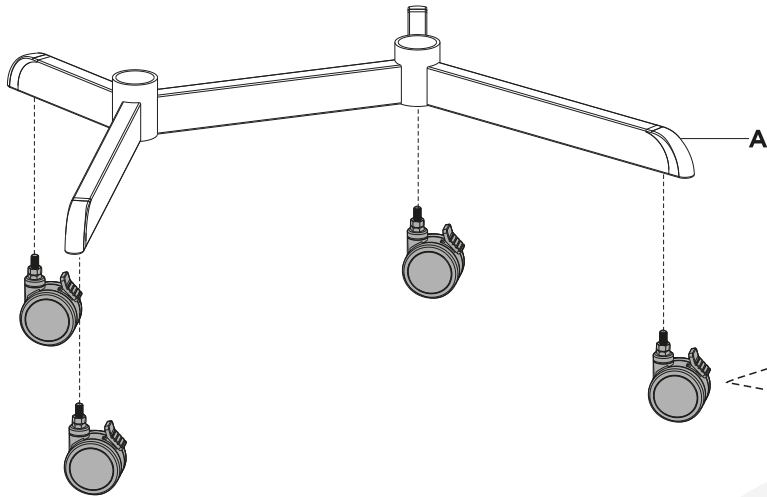


**M-F (x4)**  
Ø15xØ8x5

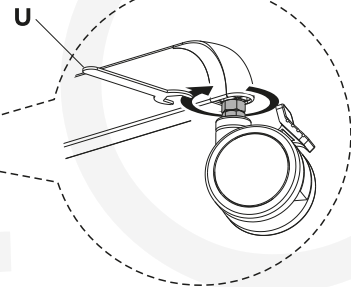
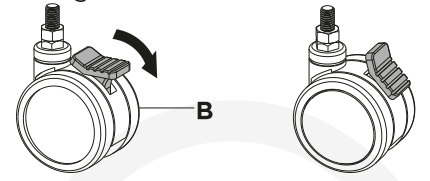


**M-G (x4)**  
Ø15xØ8x15

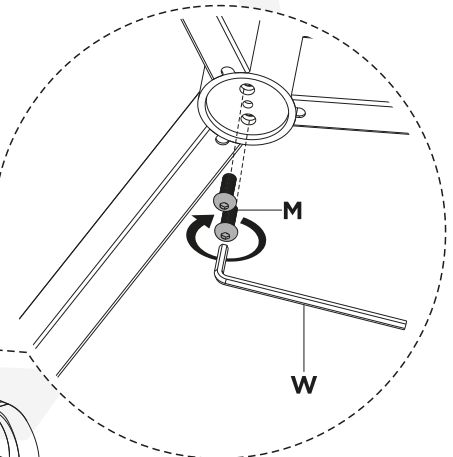
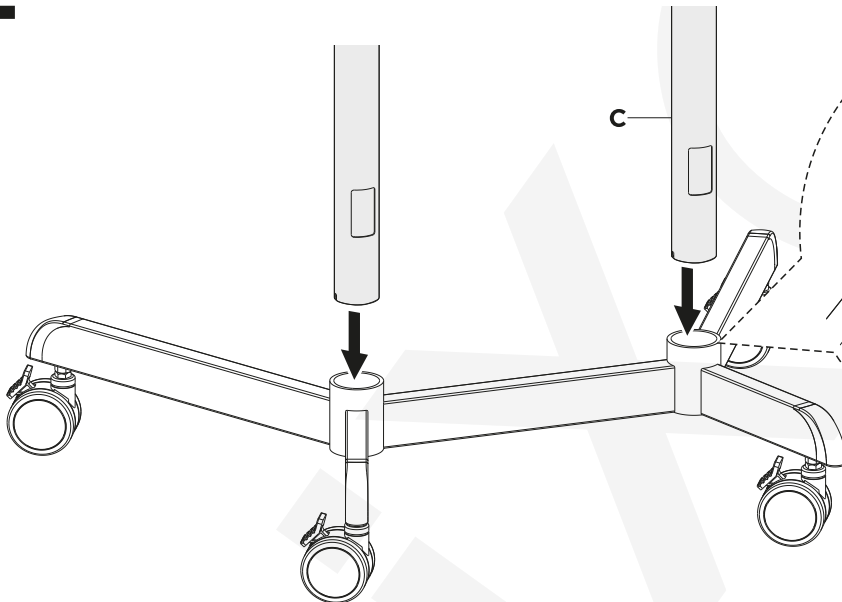
# 1



Lock the brakes on the casters to avoid any sudden movements during installation.

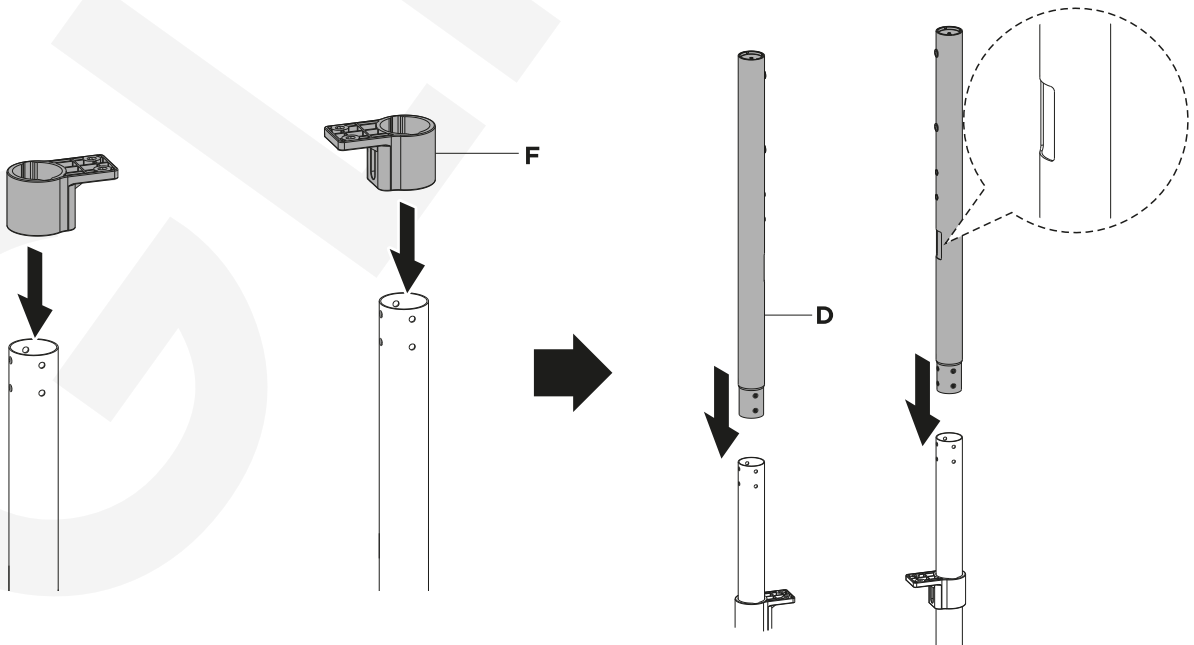


# 2

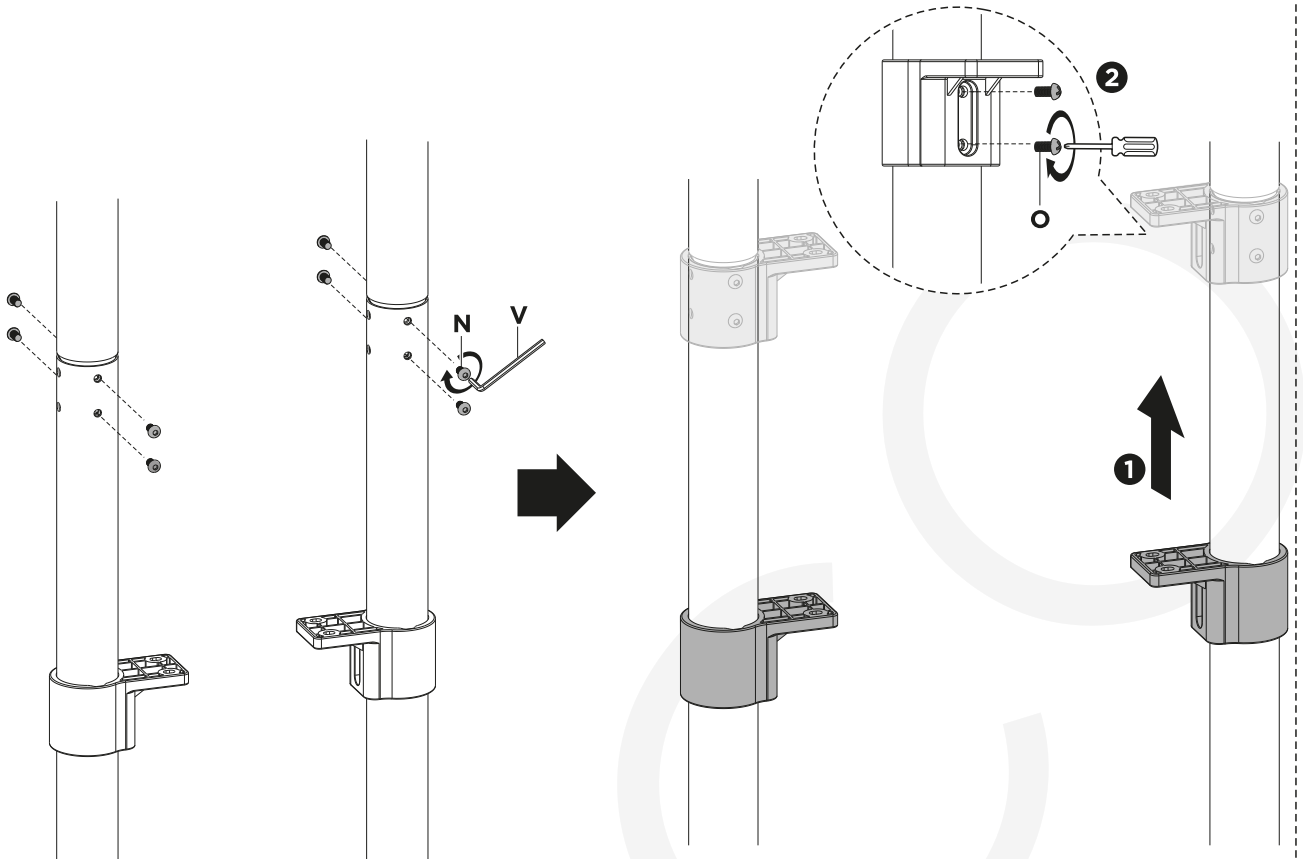


Do not fully tighten the screws **M**.

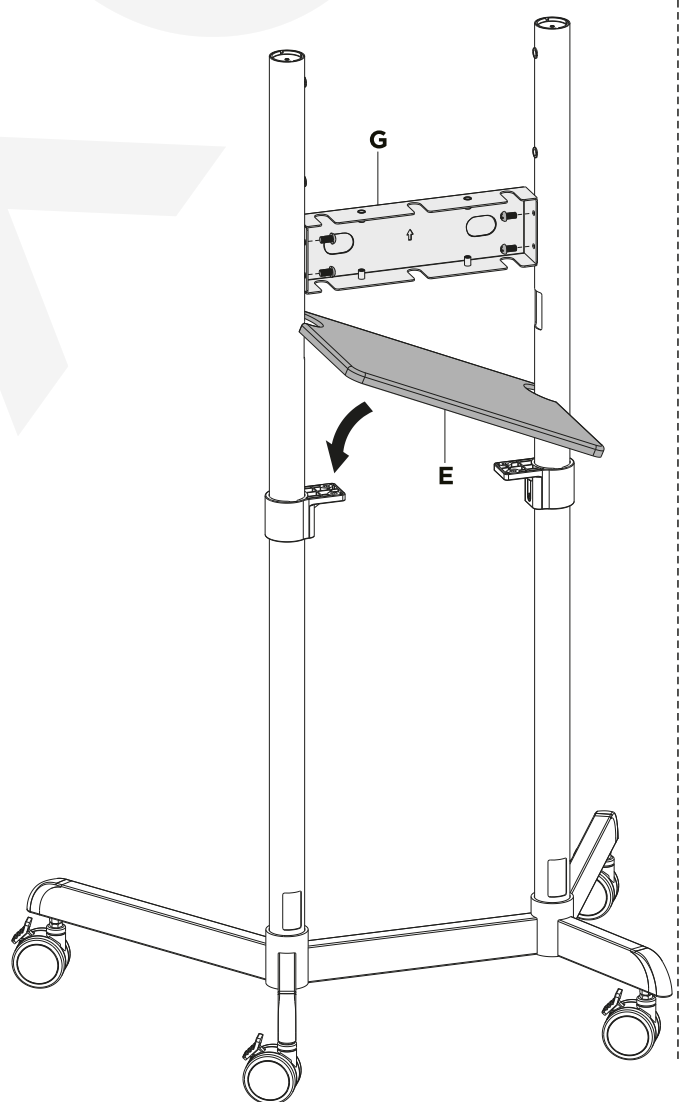
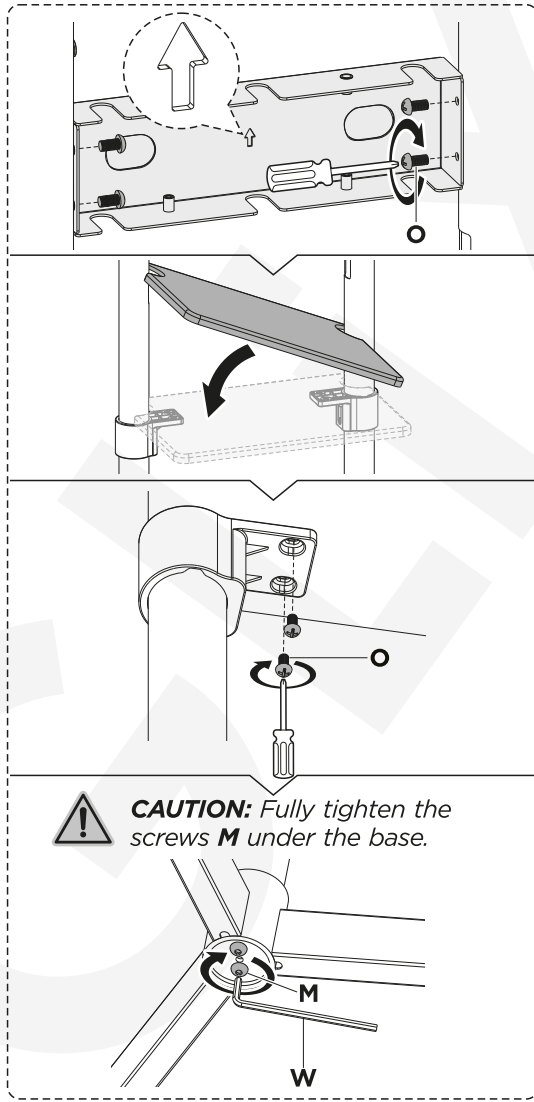
# 3



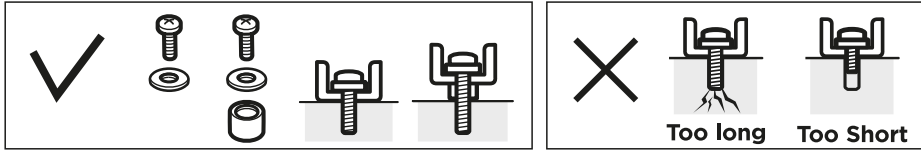
4



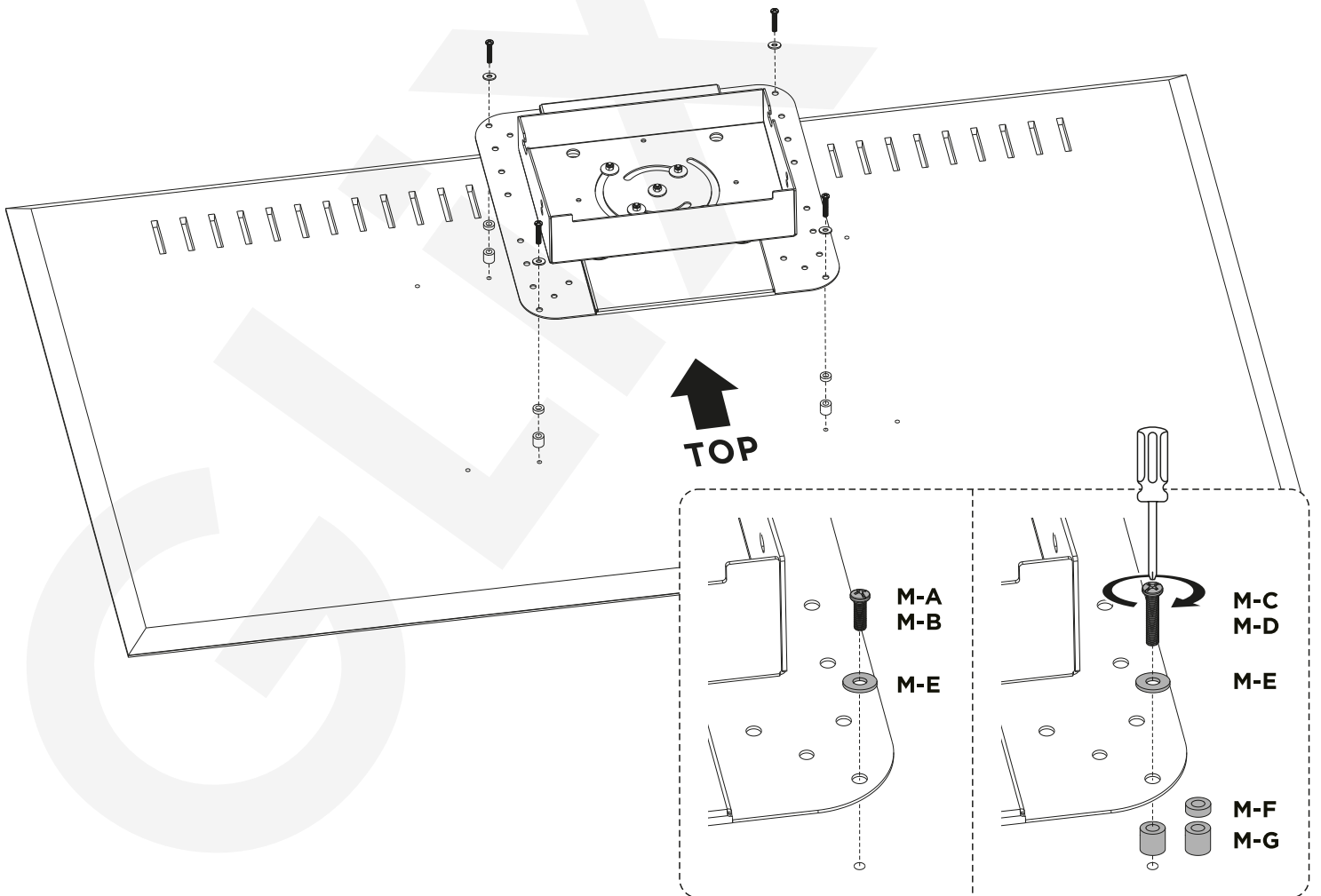
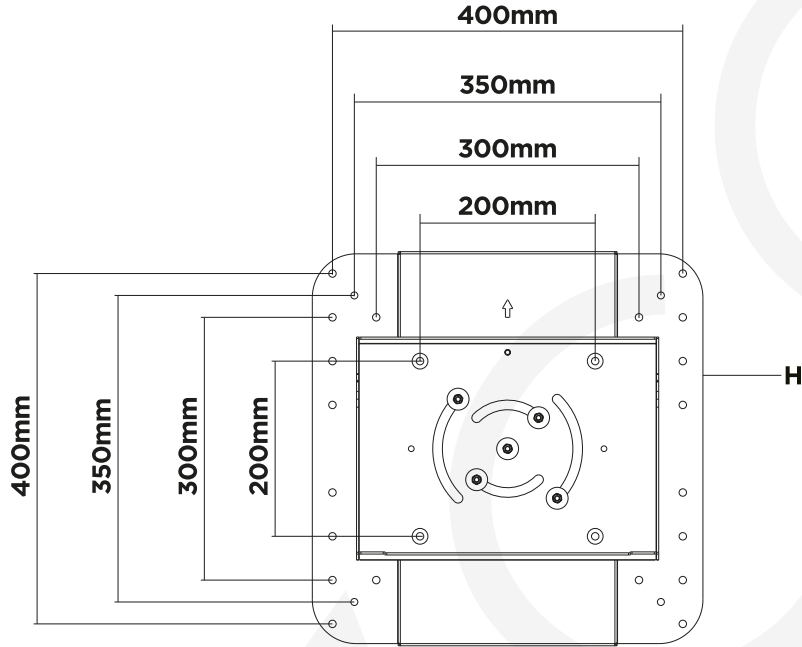
5



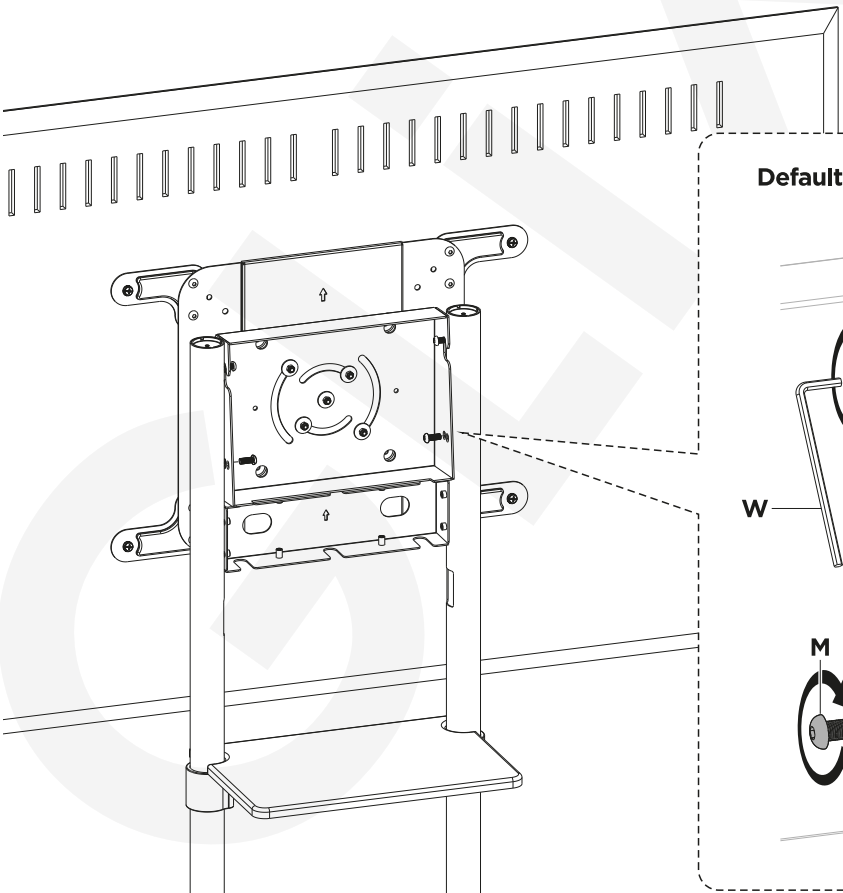
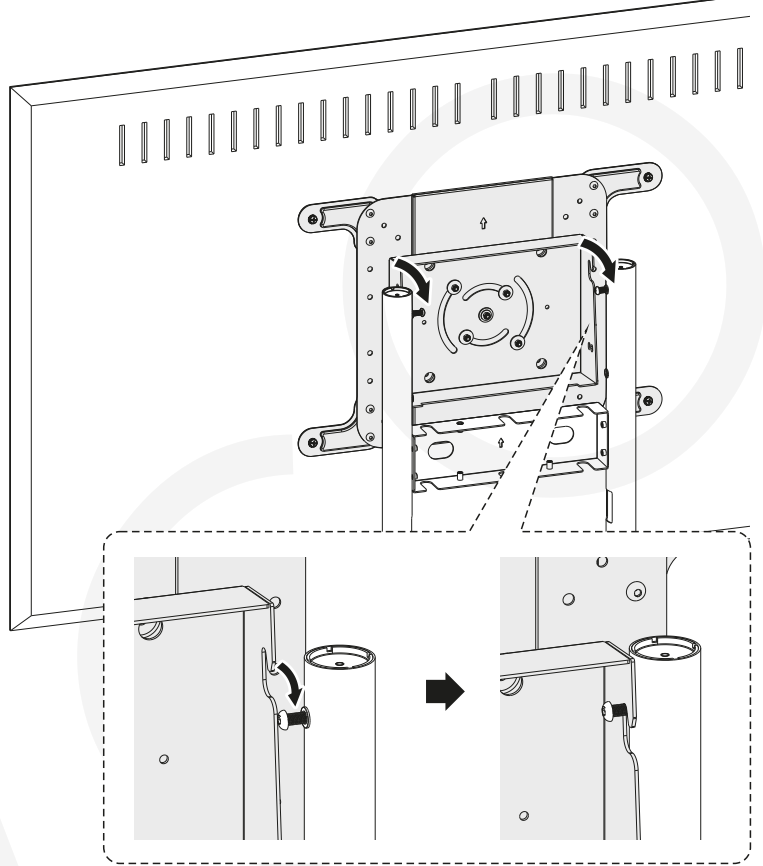
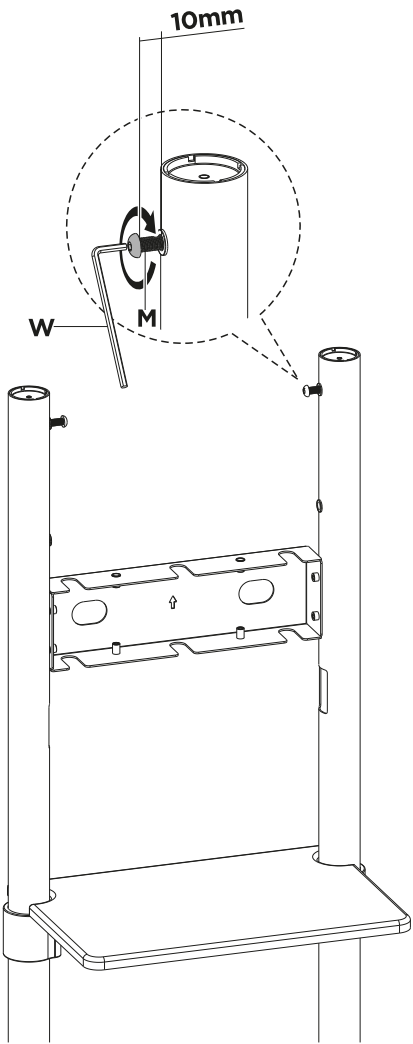
6



VESA: 200x200/300x300/350x350/400x200/400x400mm

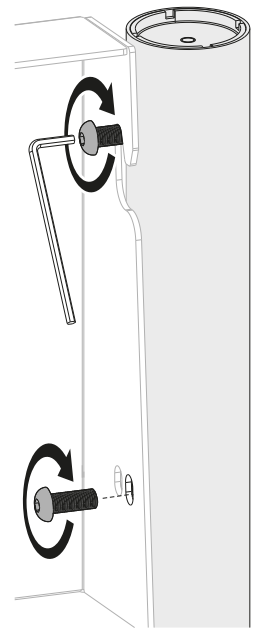
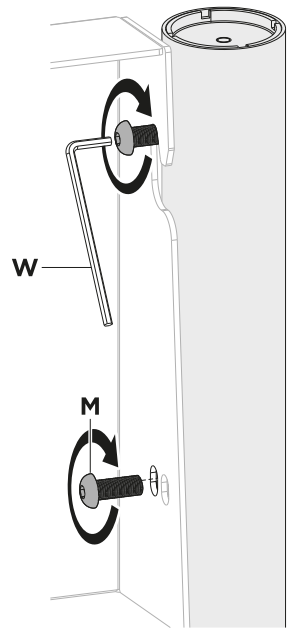


7



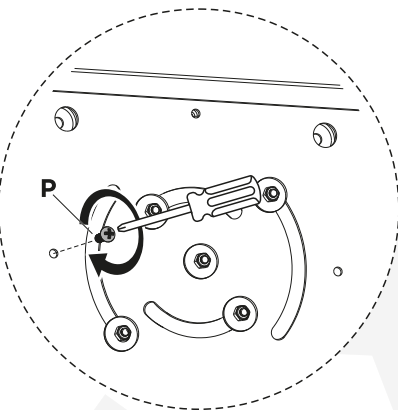
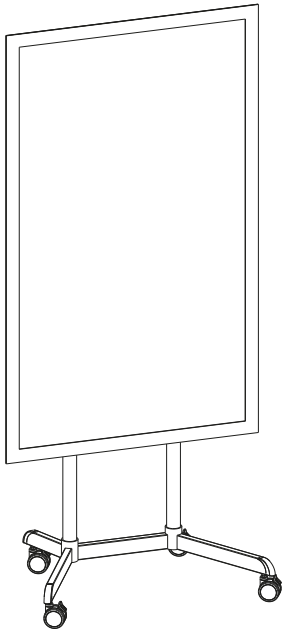
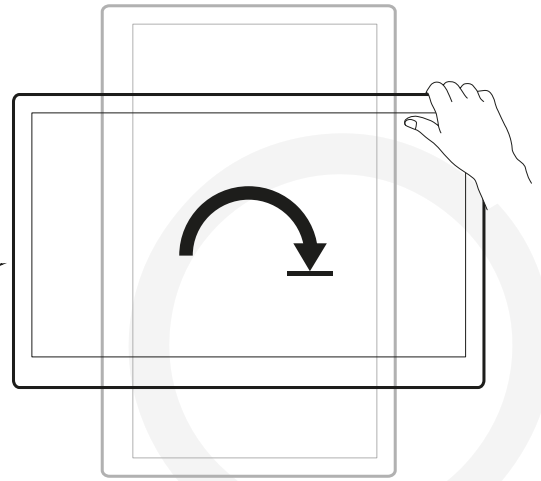
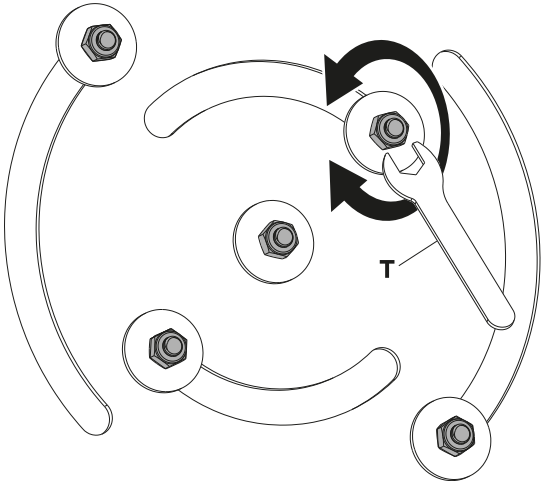
Default Position (0°)

Tilted Position (5°)

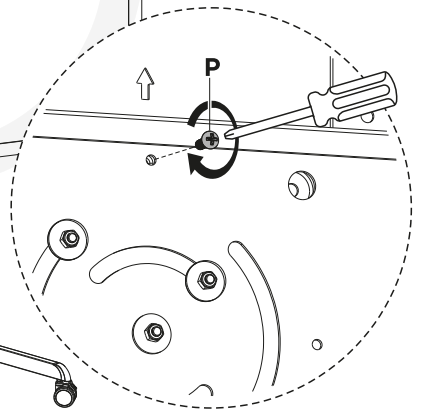
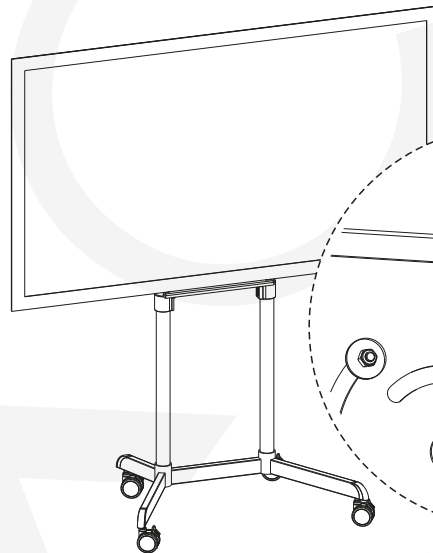


# 8

Fixing the Display in Landscape/Portrait Position

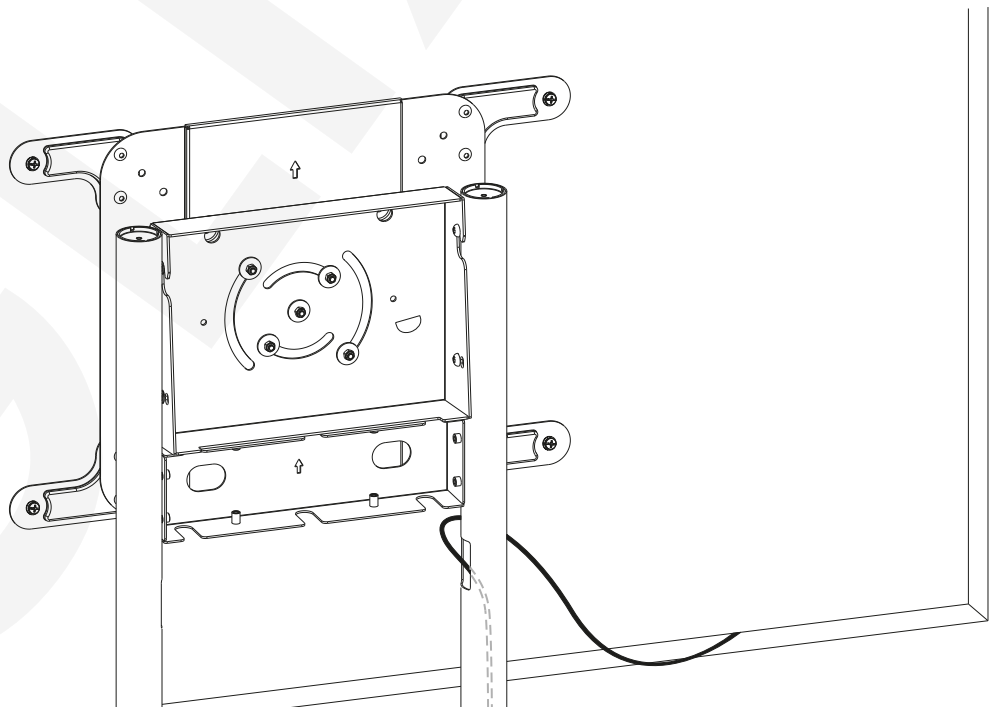


Tighten the screw **P** to fix the screen.

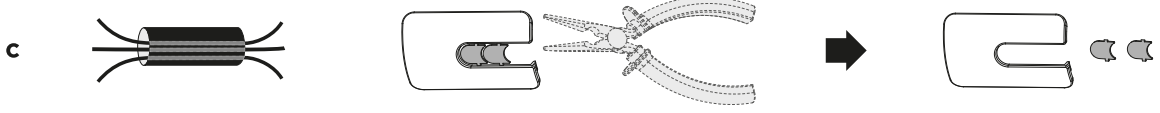
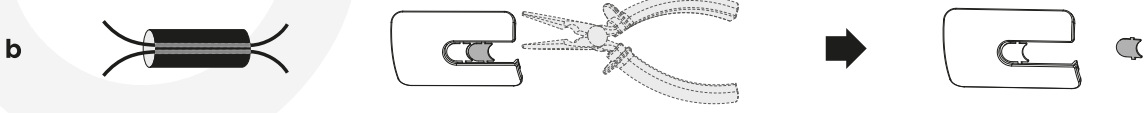
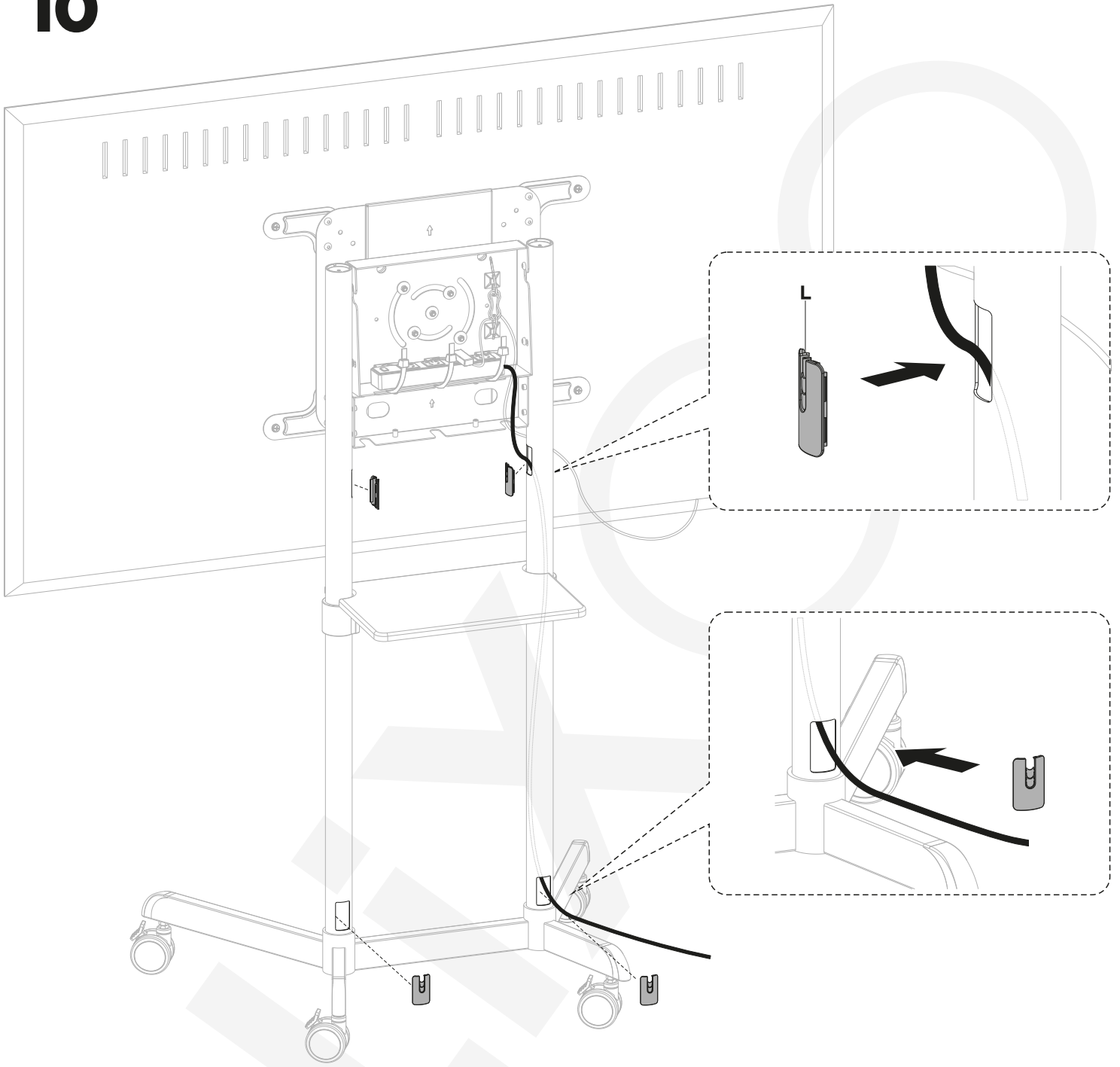


Tighten the screw **P** to fix the screen.

# 9a

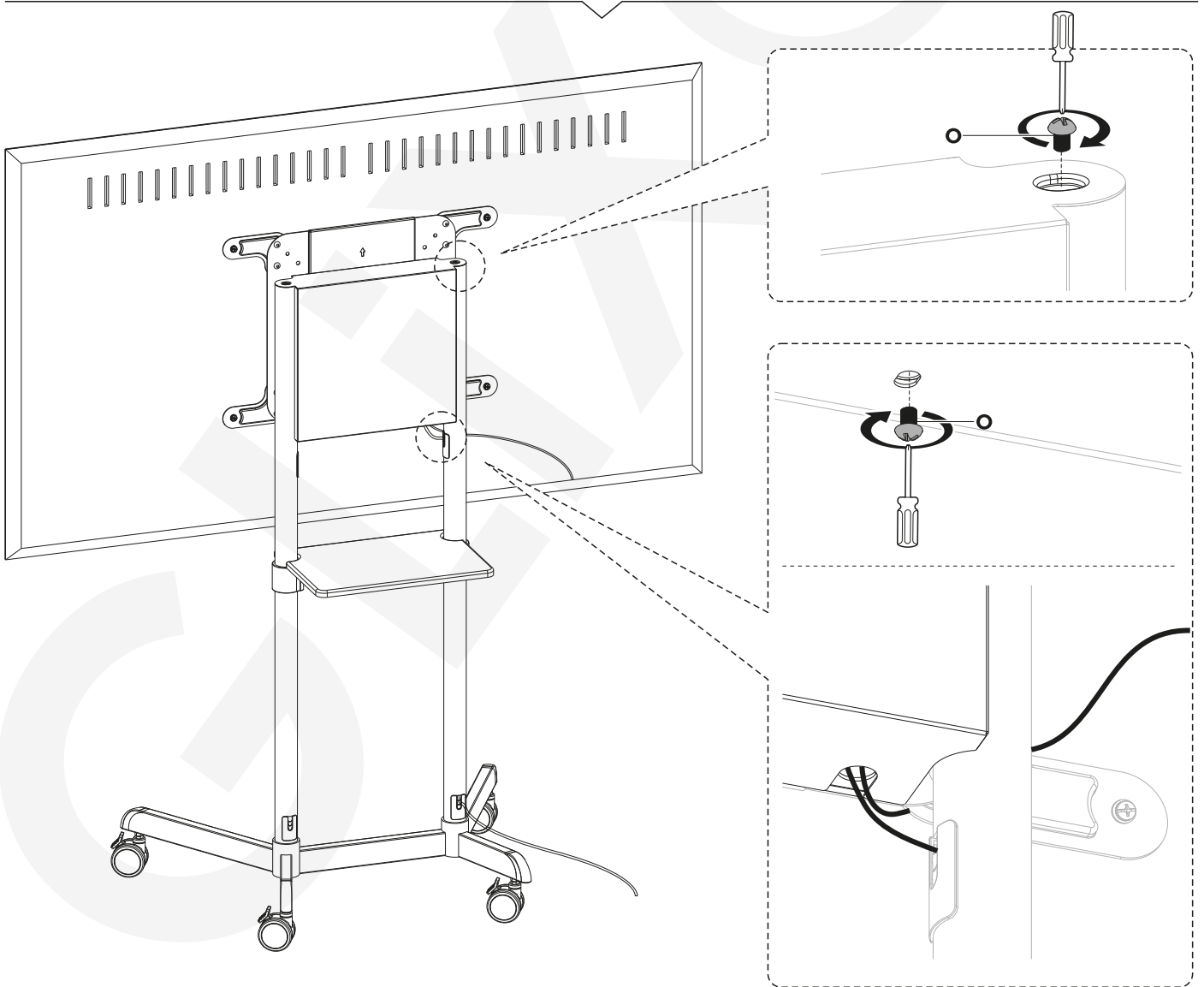
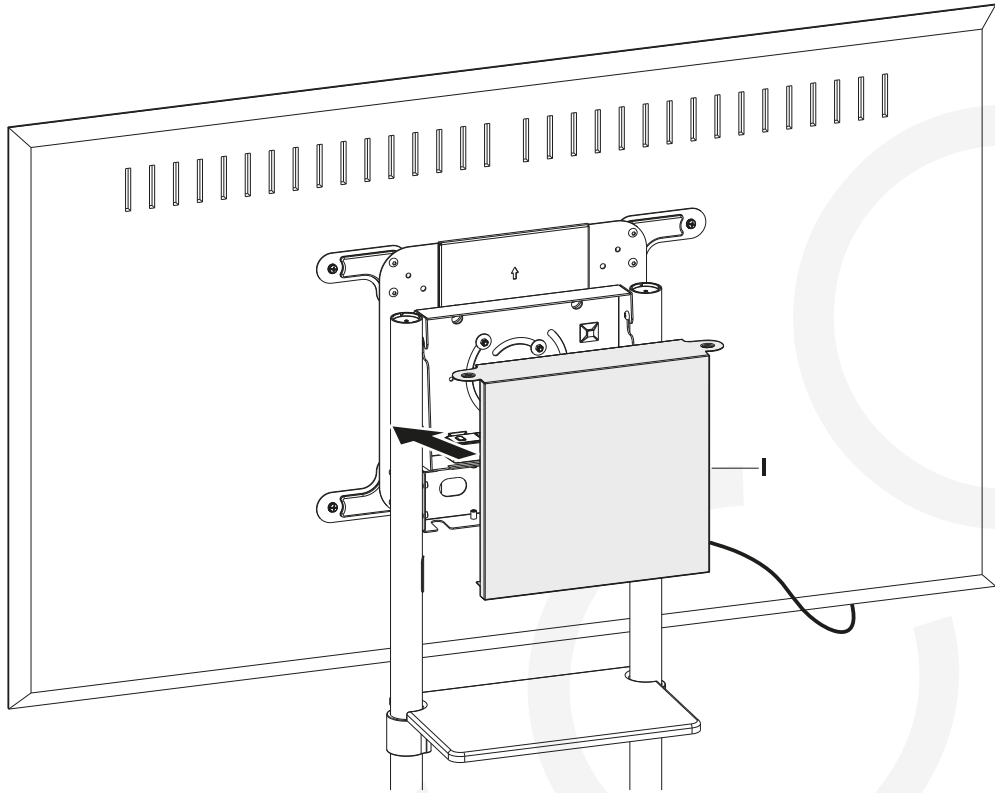


# 10





# 11



### Maintenance

- Check if the bracket is secure and safe to use at regular intervals (at least every three months).
- Please contact your distributor if you have any questions.