

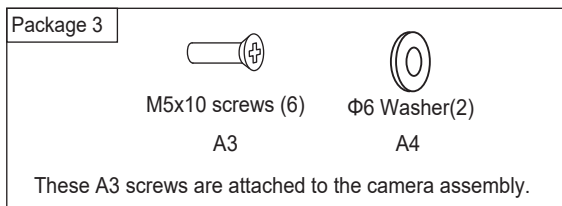
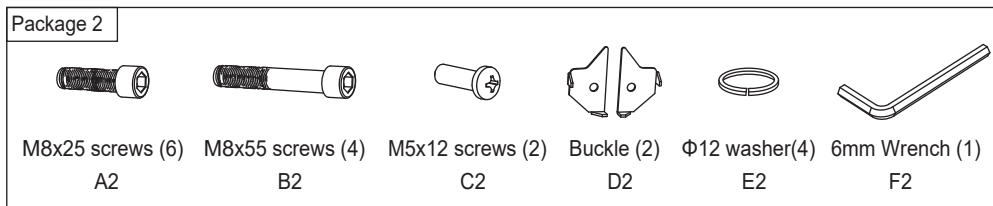
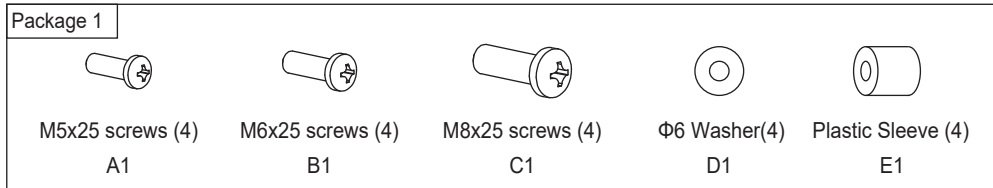
MANUAL DE INSTALACIÓN - AVA1500

1. Technical Parameter

Max VESA:600×400; Maximum load:45.5 kgs.

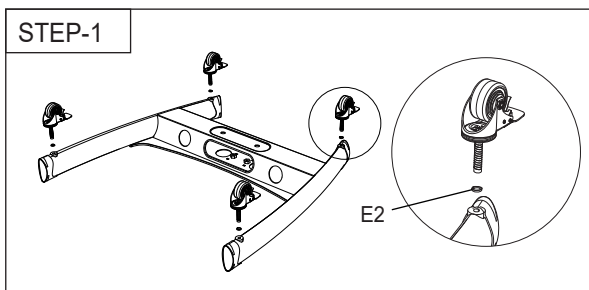
2. Parts List

Please check the parts in the package in comparison with the following list, make sure all of the parts are in the package. Never use defective parts, never replace part with different specification.

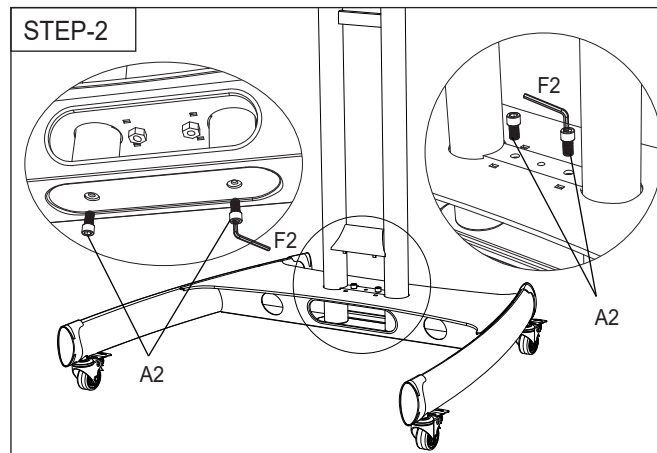


3. Installation and operation instructions

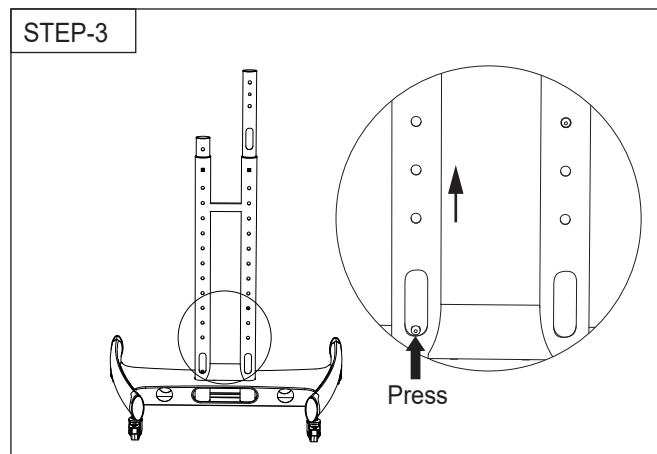
Note: please read the instructions carefully before installation!



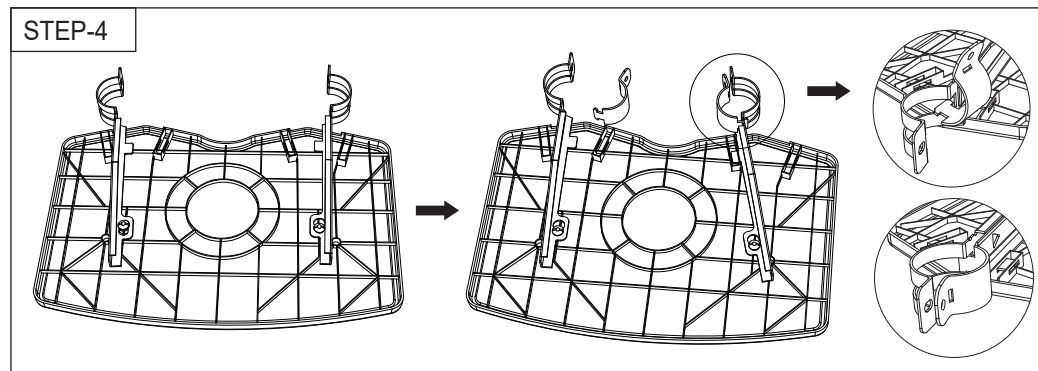
Step 1:
Tighten the four wheels through the washer to the base.



Step 2:
Insert the tubes into the base and tighten the screw.

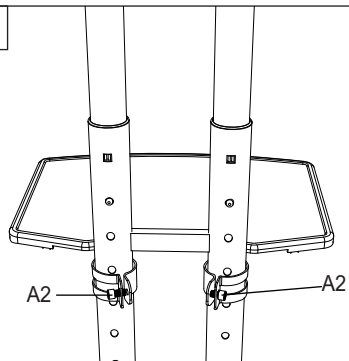


Step 3:
Adjust the length of the tube and keep the equal height of the two tubes.



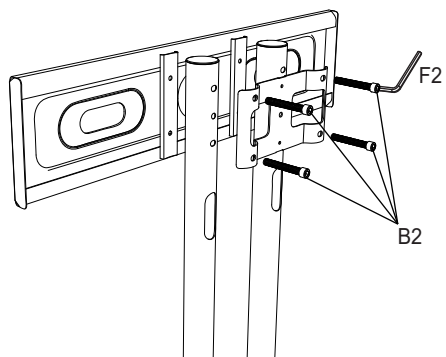
Step 4:
Install the tray bracket.

STEP-5



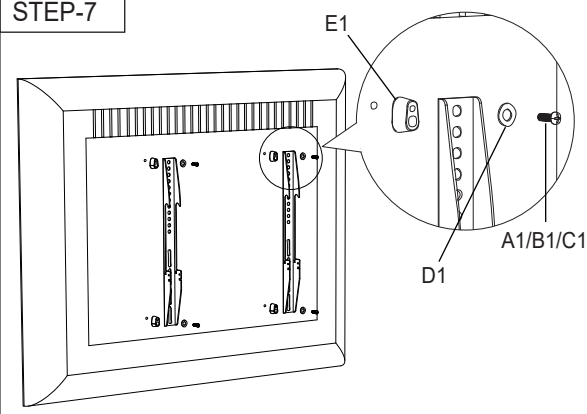
Step 5:
Install the tray bracket onto the tubes.

STEP-6



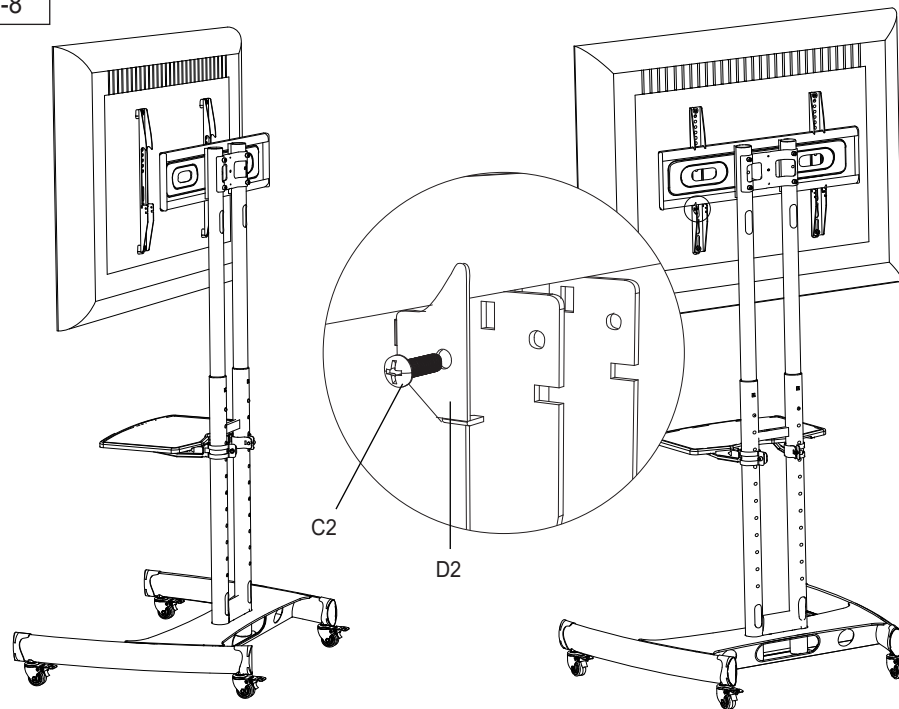
Step 6:
Install the TV plate onto the tubes.

STEP-7



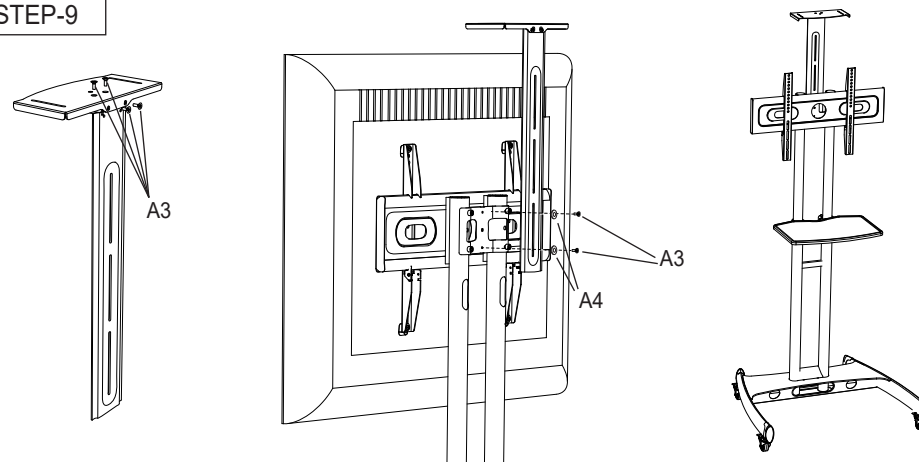
Step 7:
Install the TV bracket onto the back of the TV.

STEP-8



Step 8:
Hang the TV onto the TV plate.

STEP-9



Step 9:
Assemble and install the camera tray.