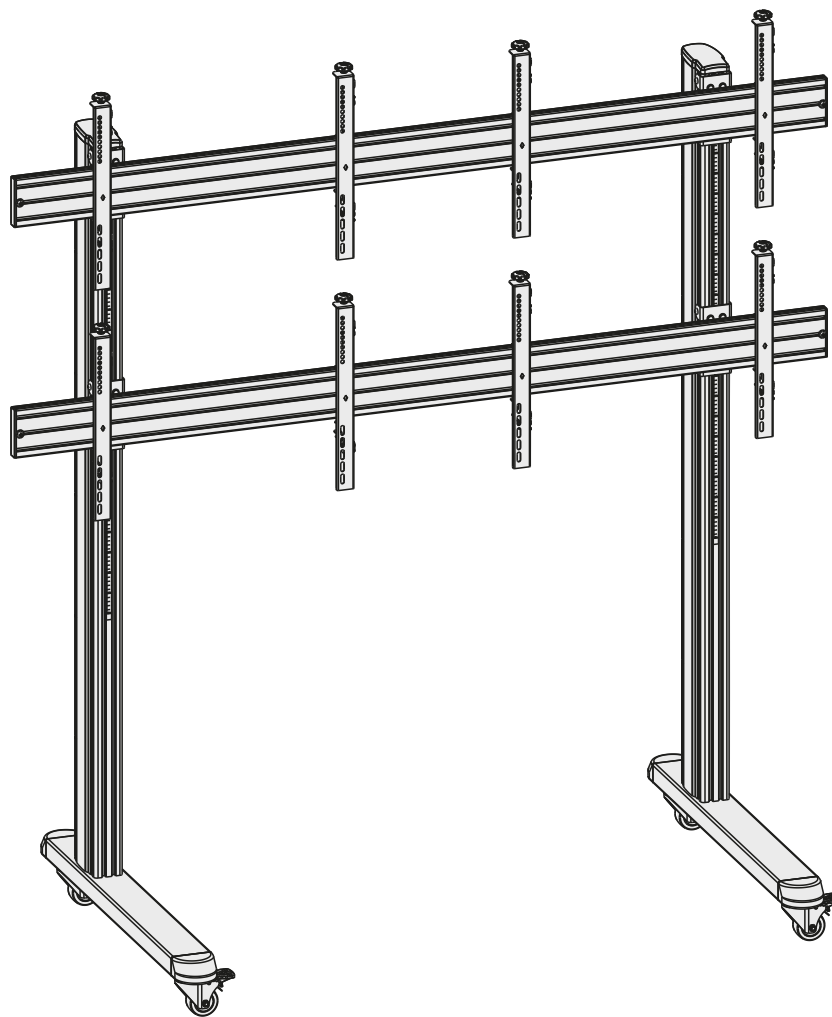




MANUAL DE INSTALACIÓN



SKU: VW0446FW

- EN  Read the entire instruction manual before you start installation and assembly. If you have any questions regarding any of the instructions or warnings, please contact your local distributor for assistance.
-  **CAUTION:** Use with products heavier than the rated weights indicated may result in instability causing possible injury.
- Mounts must be attached as specified in assembly instructions. Improper installation may result in damage or serious personal injury.
 - Safety gear and proper tools must be used. This product should only be installed by professionals.
 - Make sure that the supporting surface will safely support the combined weight of the equipment and all attached hardware and components.
 - Use the mounting screws provided and DO NOT OVER TIGHTEN mounting screws.
 - This product contains small items that could be a choking hazard if swallowed. Keep these items away from children.
 - This product is intended for indoor use only. Using this product outdoors could lead to product failure and personal injury.
- IMPORTANT:** Ensure that you have received all parts according to the component checklist prior to installation. If any parts are missing or faulty, telephone your local distributor for a replacement.
- MAINTENANCE:** Check that the bracket is secure and safe to use at regular intervals (at least every three months).

Component Checklist



mounting rail (x2)
A



connecting plate (x4)
B



cable clip (x8)
C



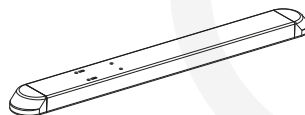
TV bracket (x8)
D



column (x2)
E



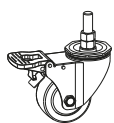
support stem (x2)
F



base (x2)
G



end cap (x4)
H



caster (x4)
I



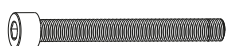
cable cover (x12)
J



end cap (x2)
K



sliding nut (x36)
L



M8x90 (x8)
M



M8x12 (x32)
N



M8x10 (x4)
O



D8 washer (x4)
P



5mm Allen Key (x1)
Q



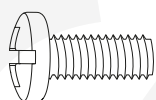
6mm Allen Key (x1)
R



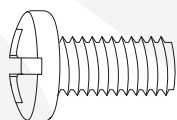
Hexagon Wrench (x1)
S

IMPORTANT: Ensure that you have received all parts according to the component checklist prior to installation. If any parts are missing or faulty, contact your place of purchase for a replacement.

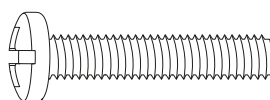
Package Mx4



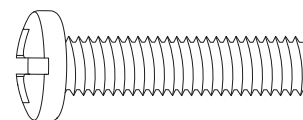
M6x14 (x4)
M-A



M8x16 (x4)
M-B



M6x30 (x4)
M-C



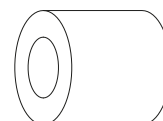
M8x35 (x4)
M-D



D8 (x4)
M-E

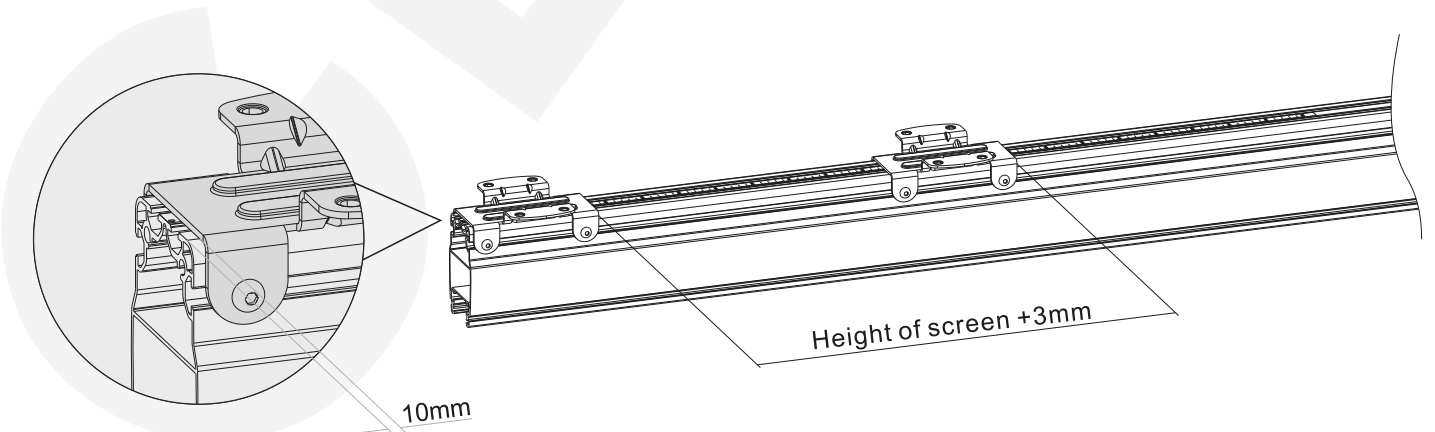
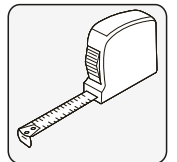
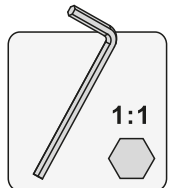
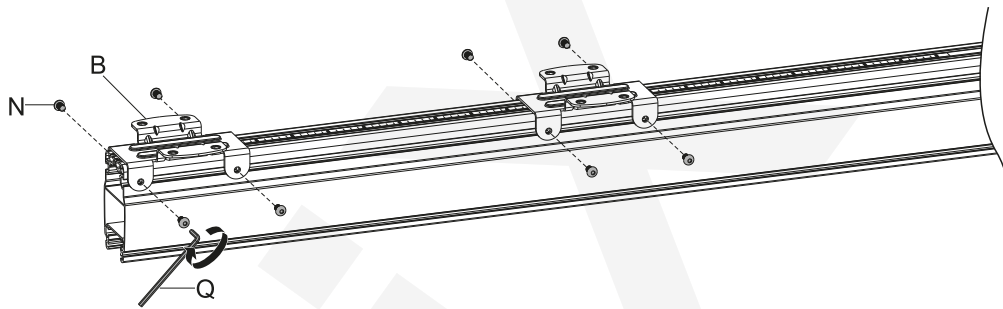
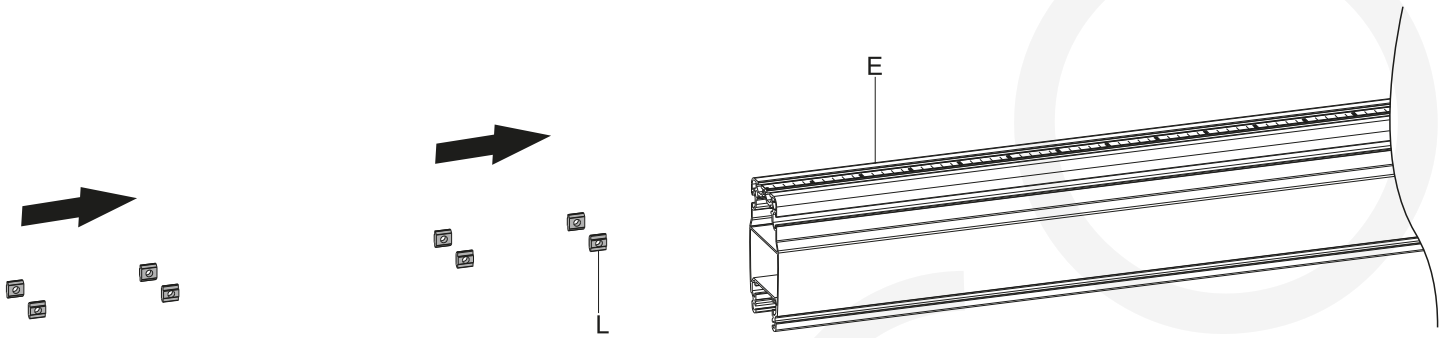


Ø15xØ8x5 (x4)
M-F



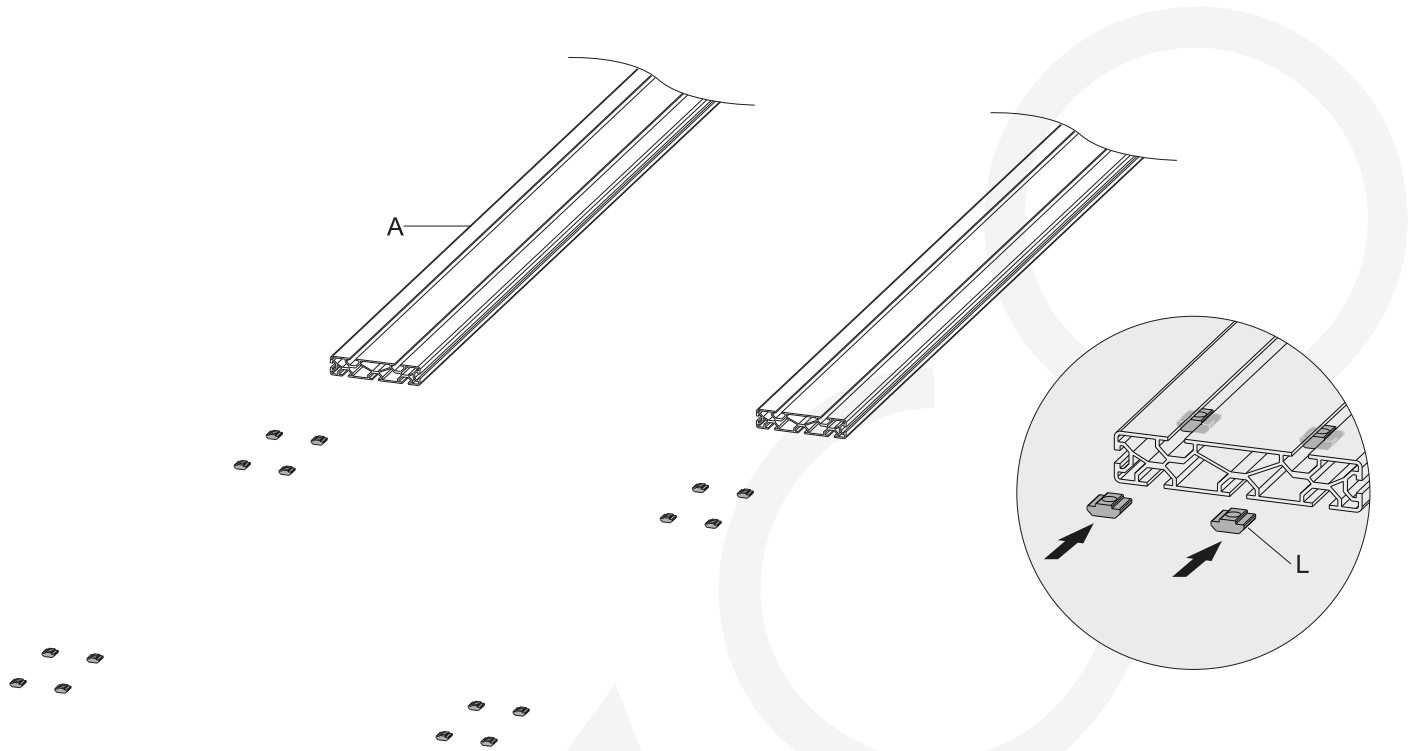
Ø15xØ8x15 (x4)
M-G

1. Attach Connecting Plate to the Column

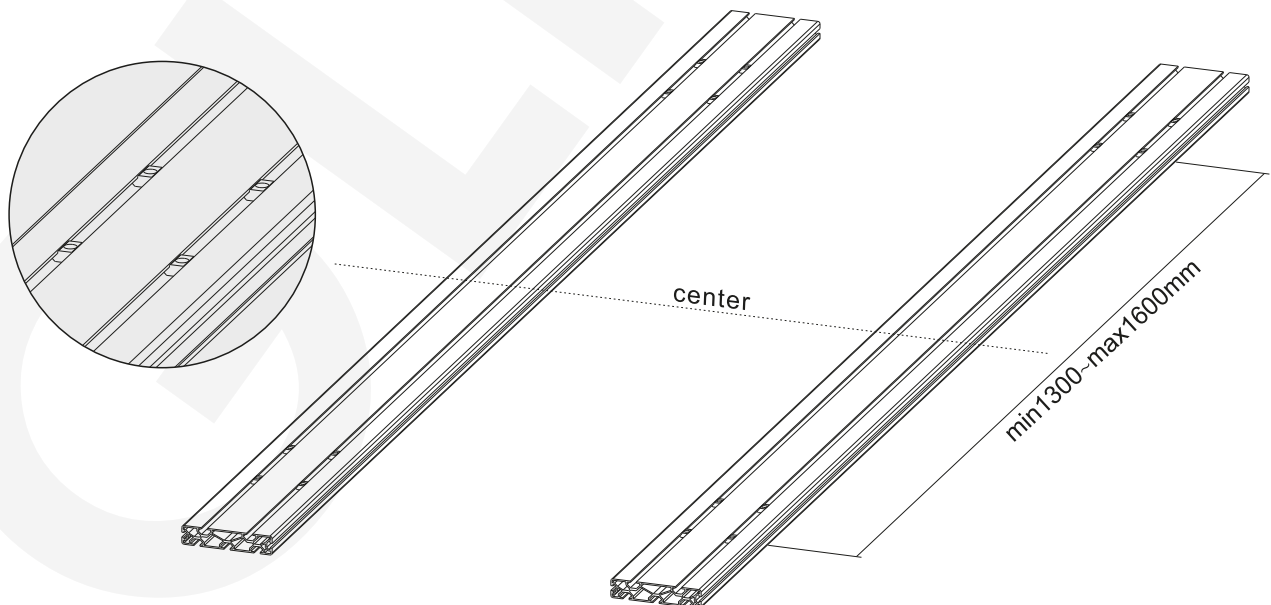
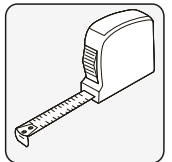


Note: The space apart the connect plates is the height of the screen plus and extra 3 mm.

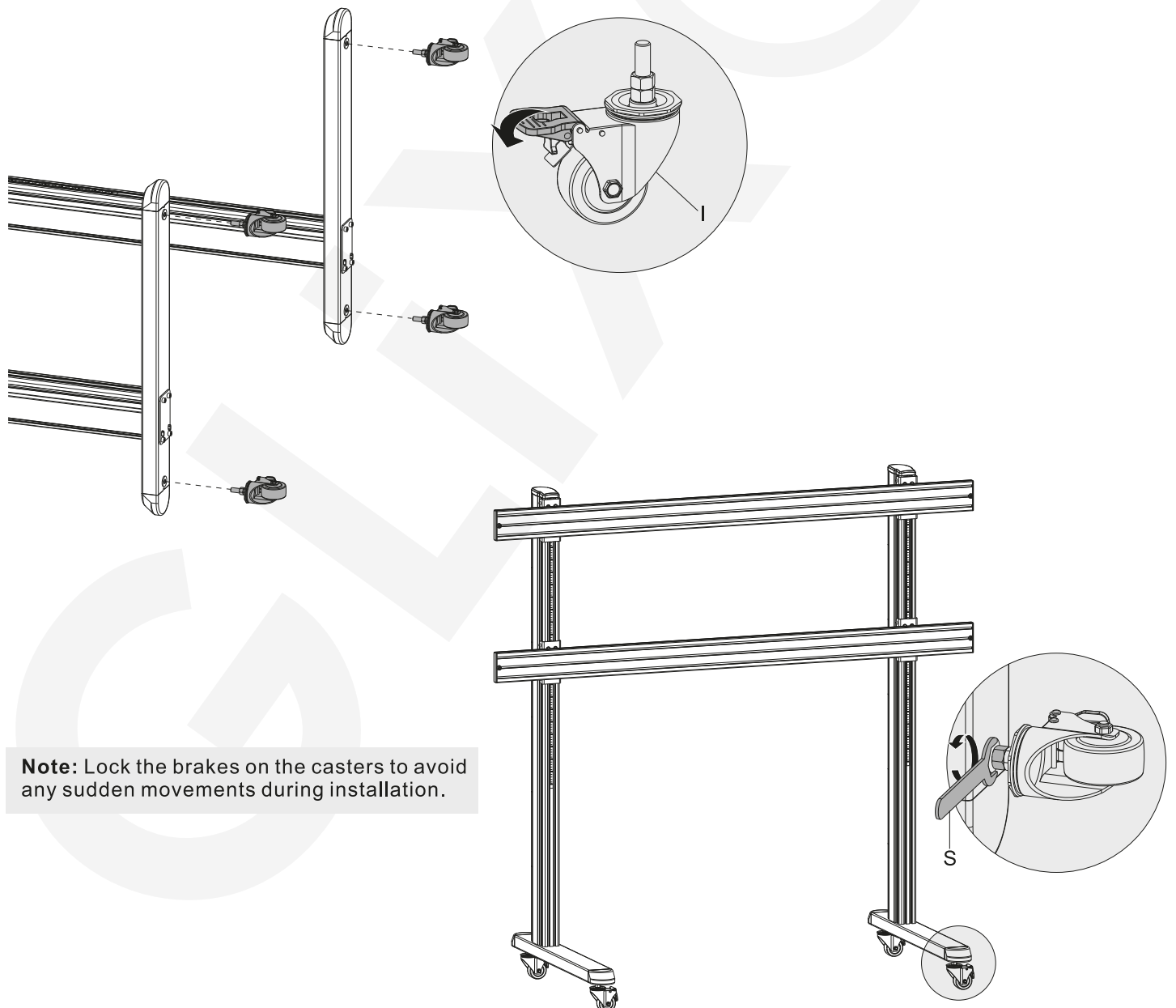
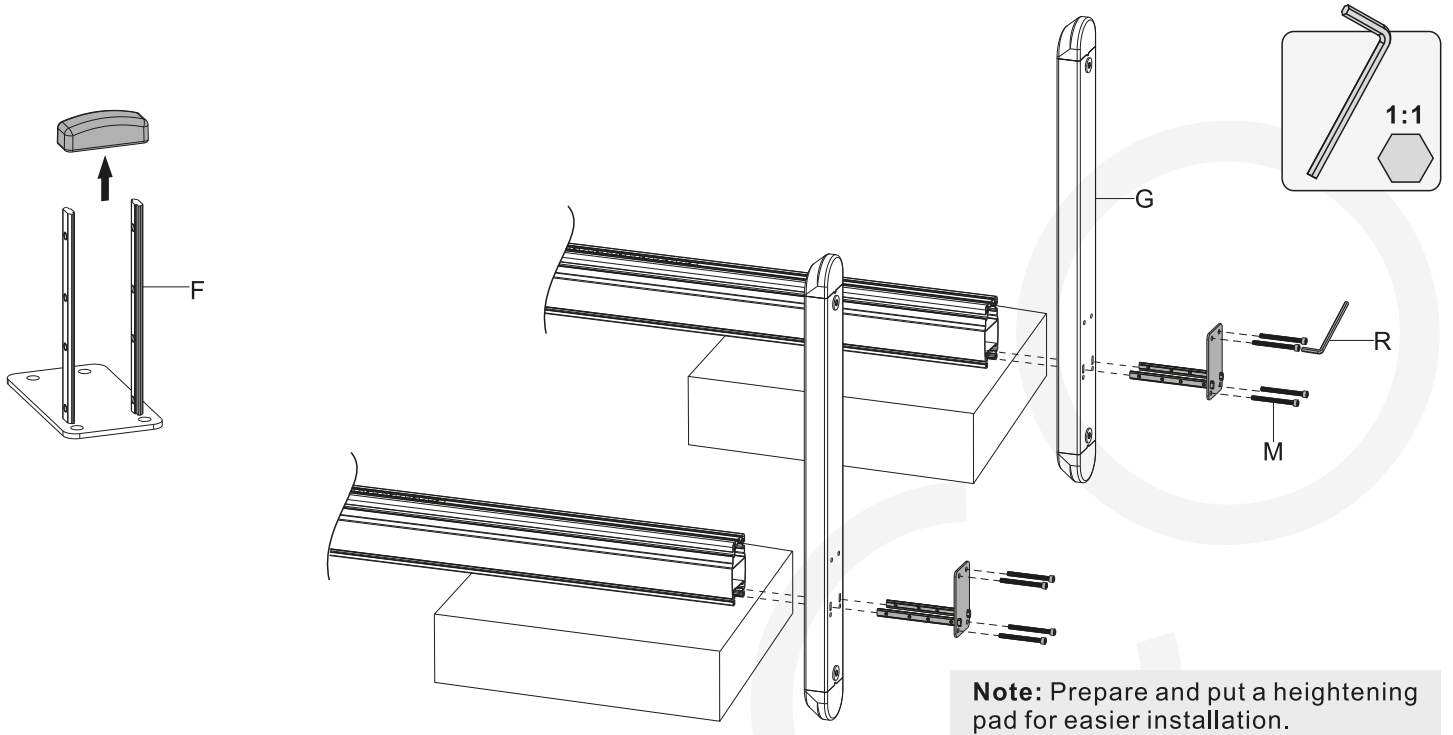
2. Attach Column to the Mounting Rail



Note: Ensure the gap between the nuts halves on both sides are equal.

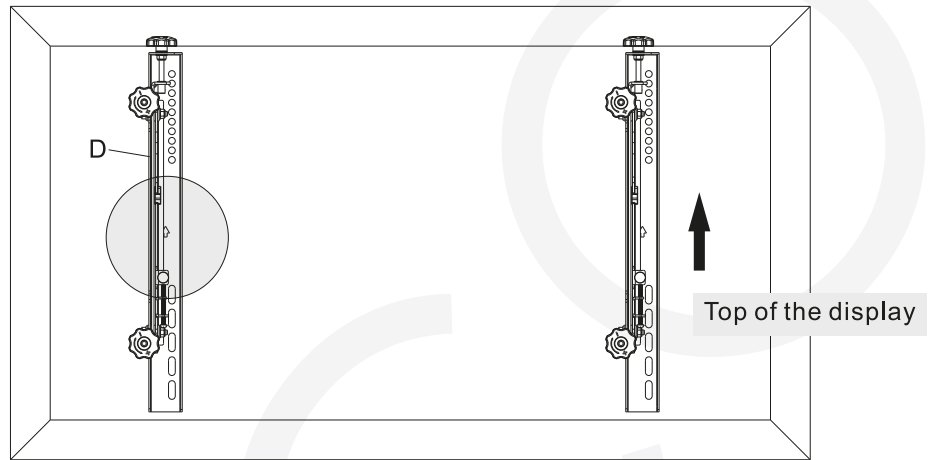
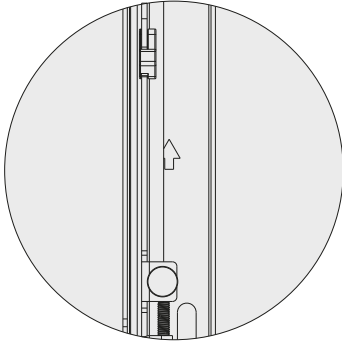


4. Assemble the Base

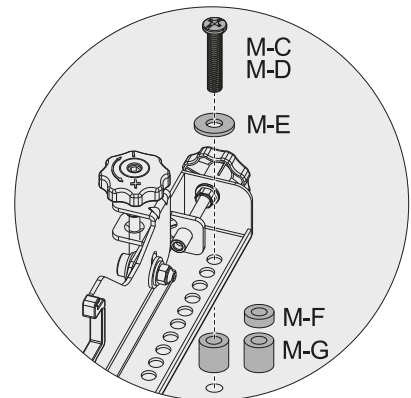
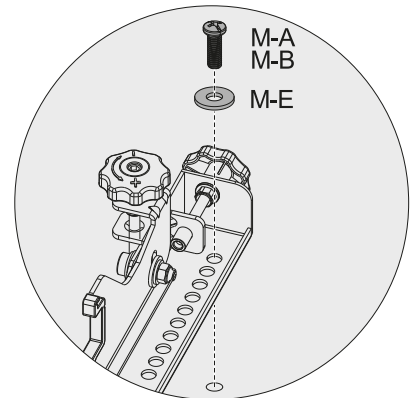
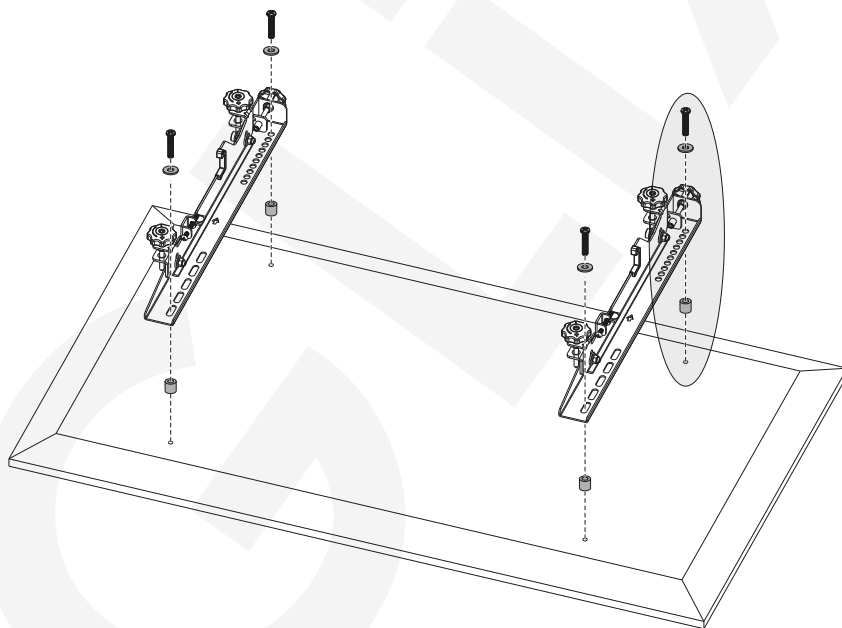
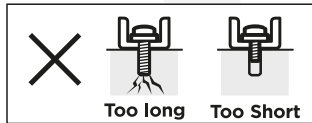
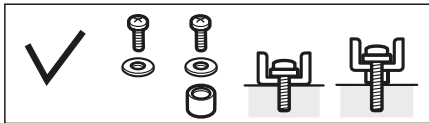


5. Attach TV Bracket

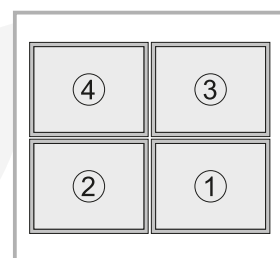
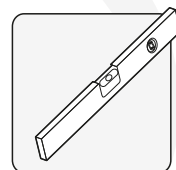
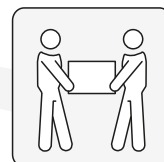
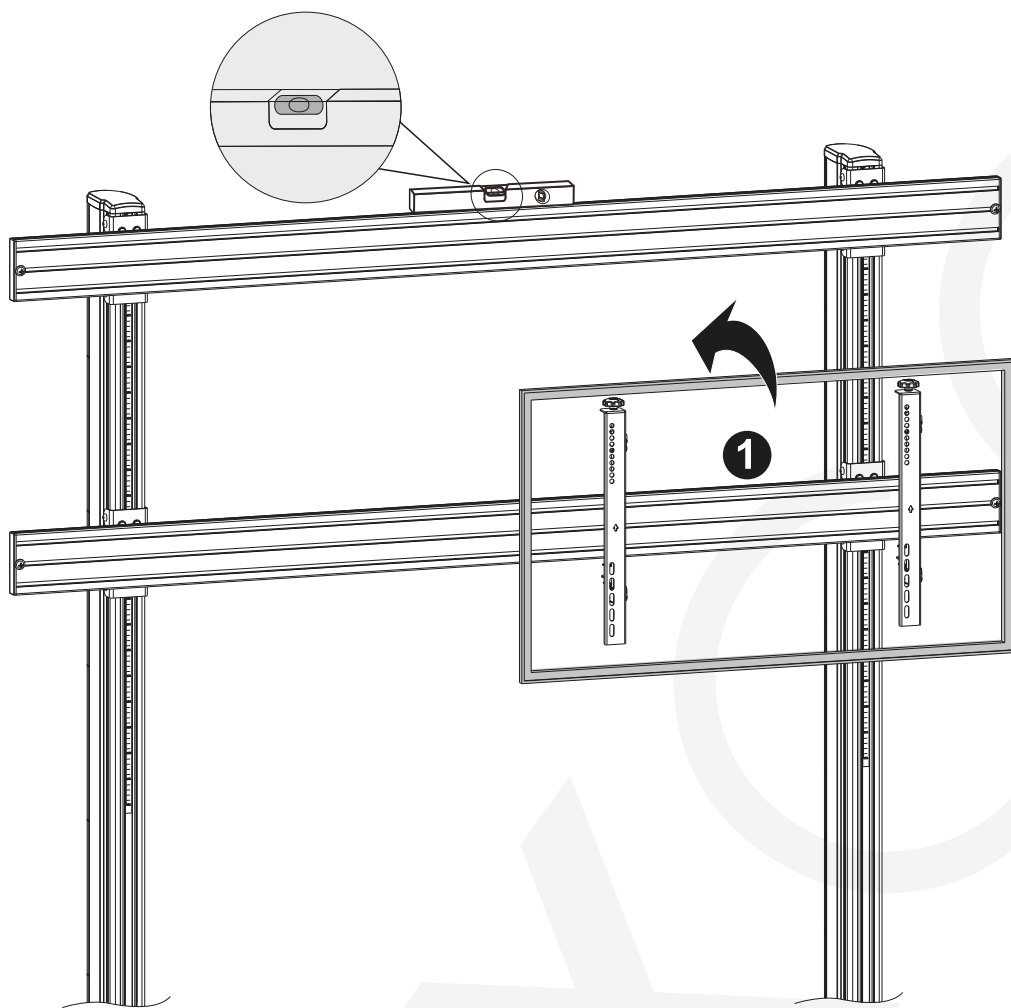
With the arrow pointing up.



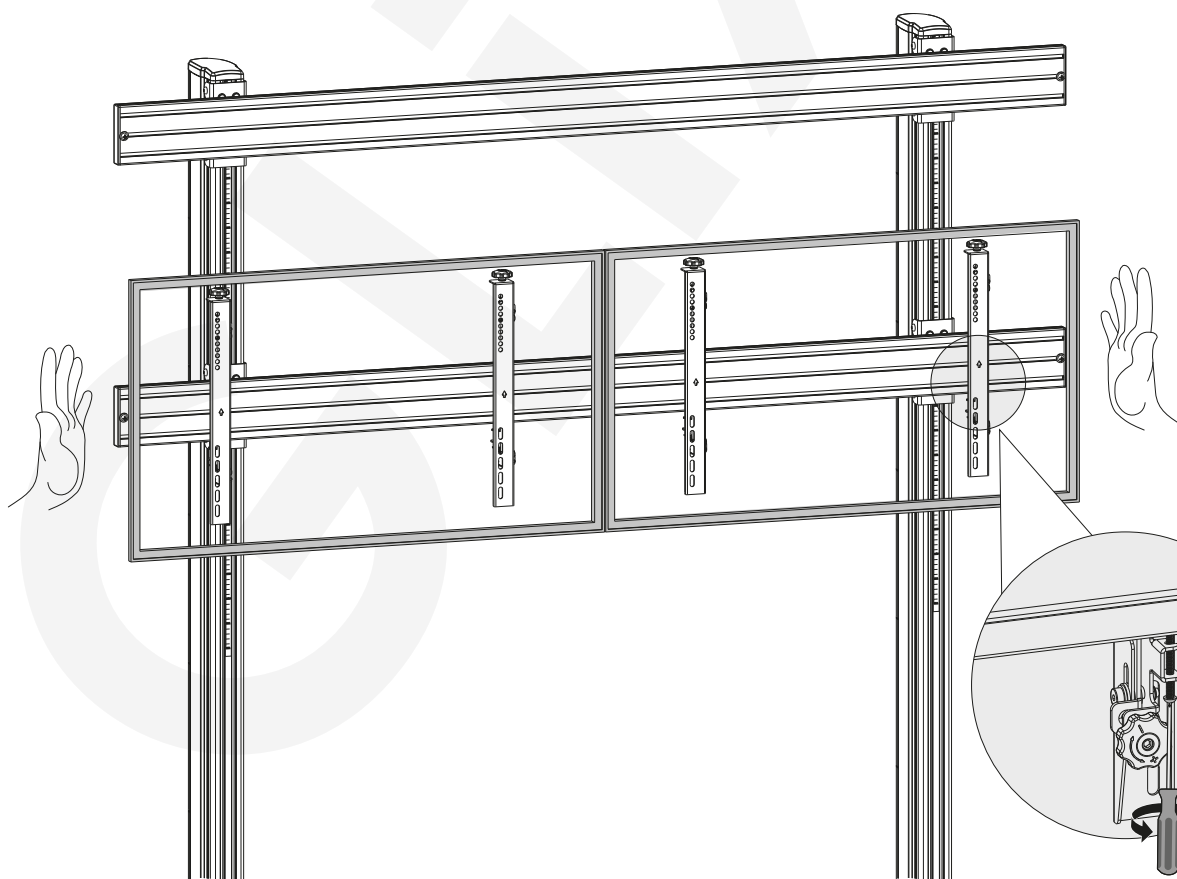
Attach TV Bracket to Screen



6. Hang the Screen

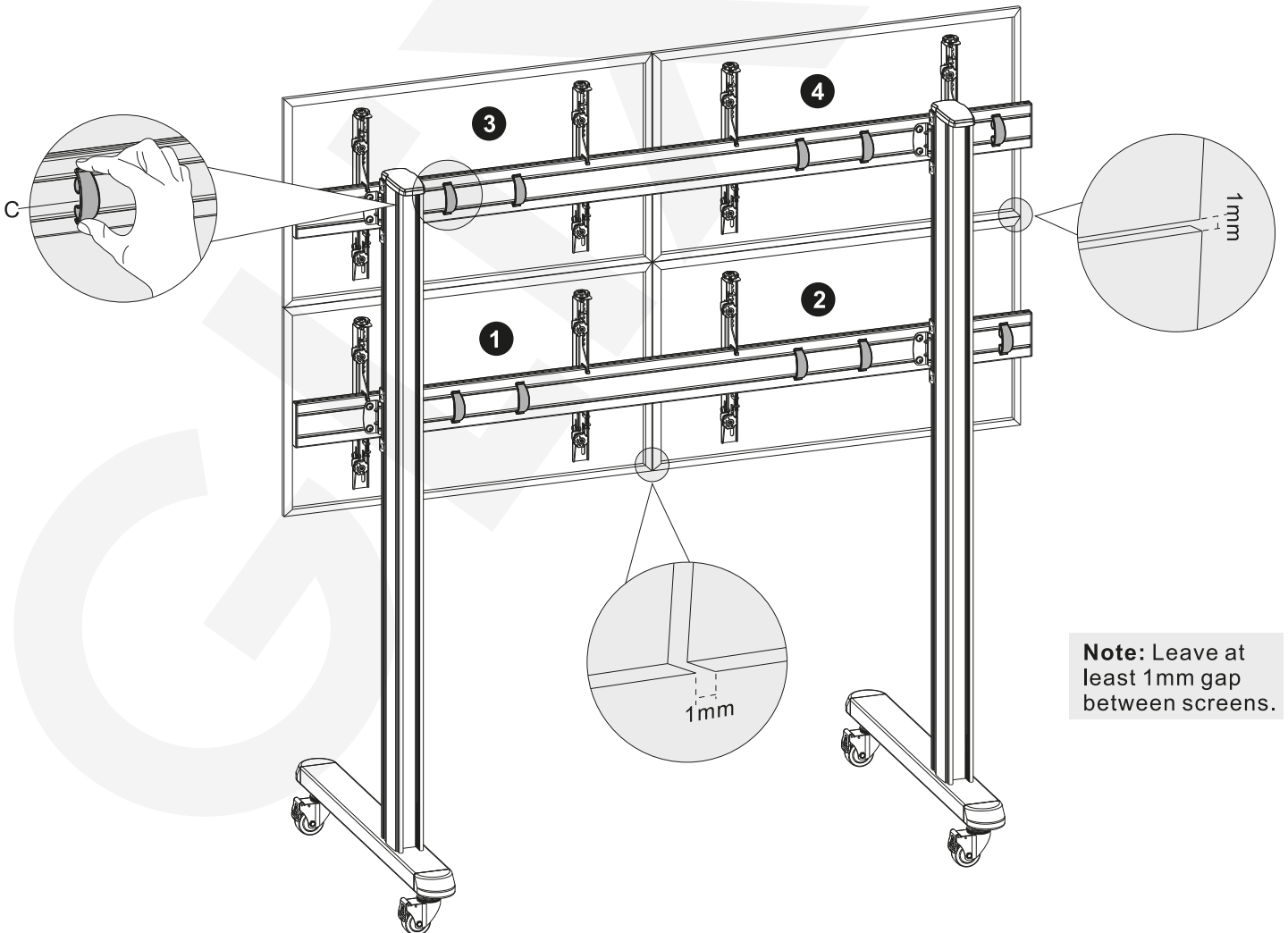
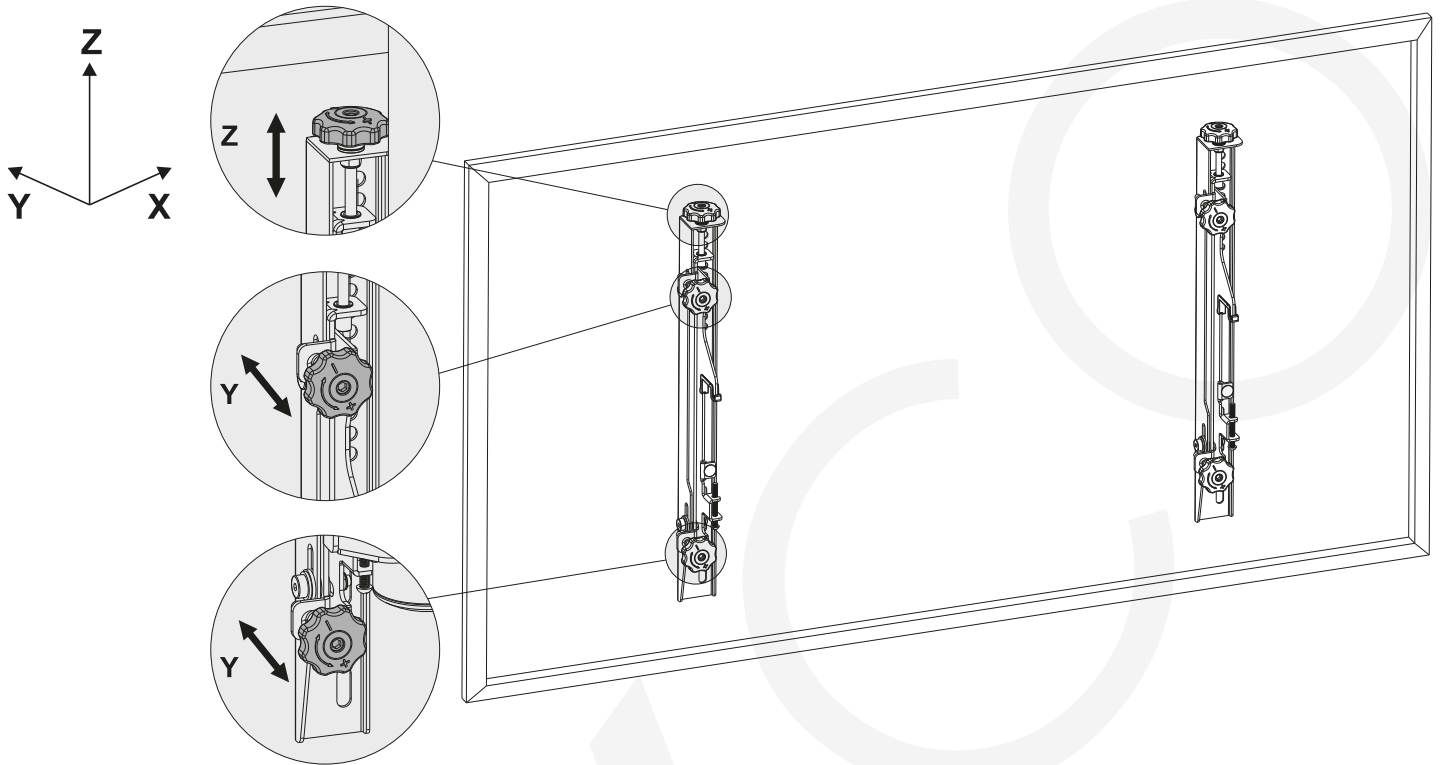


Note: Install/adjust the display by the order as shown.

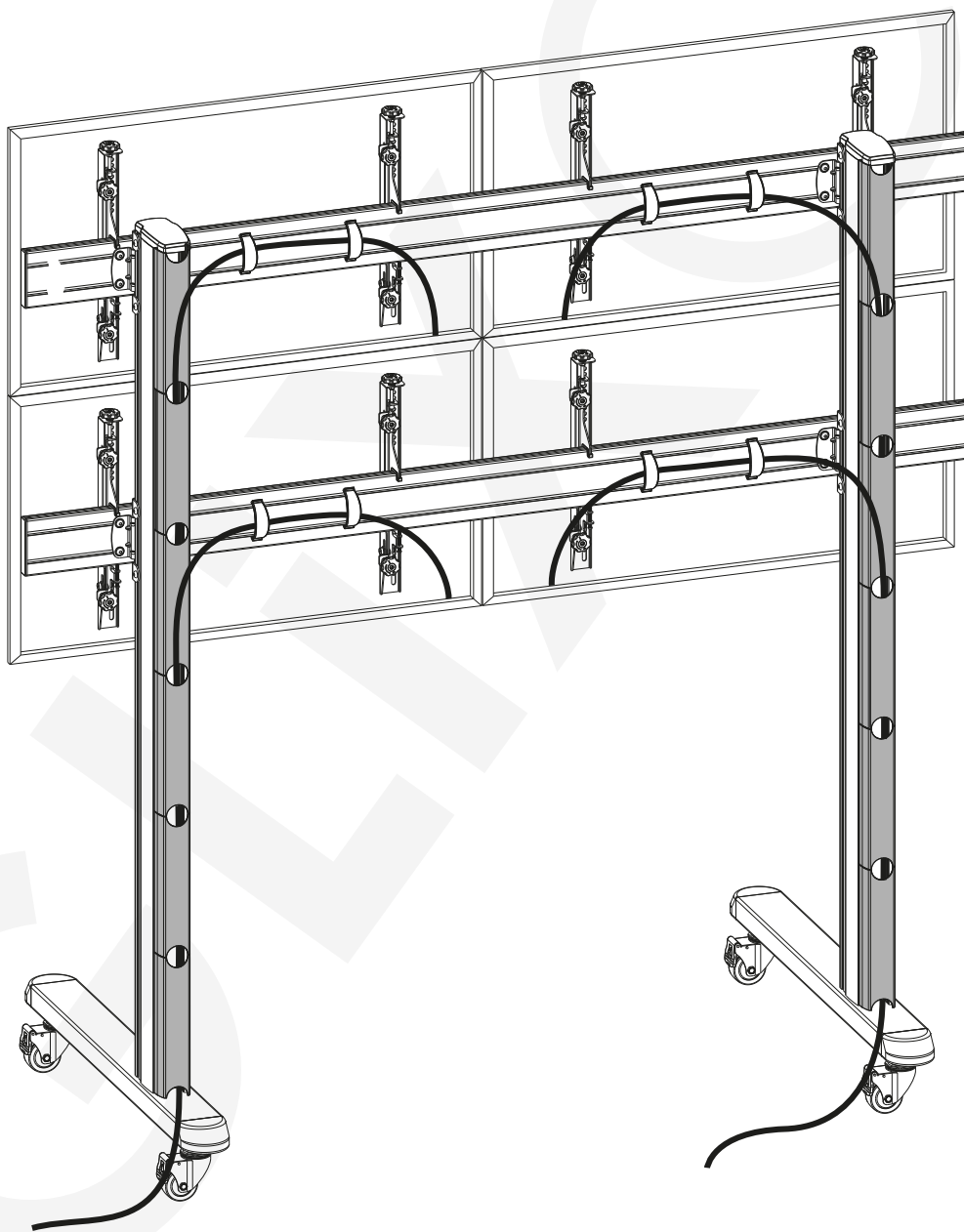
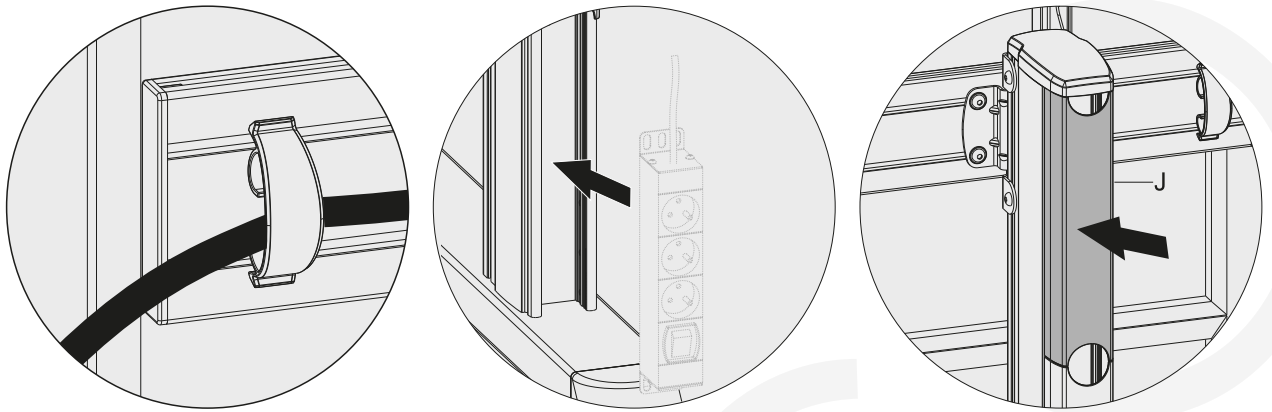


7. Precise Display Alignment

Z AXIS Adjustment Knob for Height Adjustment / Screen Leveling
Y AXIS Adjustment Knob for Depth Adjustment



8. Cable Management



Maintenance

- Check that the bracket is secure and safe to use at regular intervals(at least every three months).
- Please contact your distributor if you have any questions.