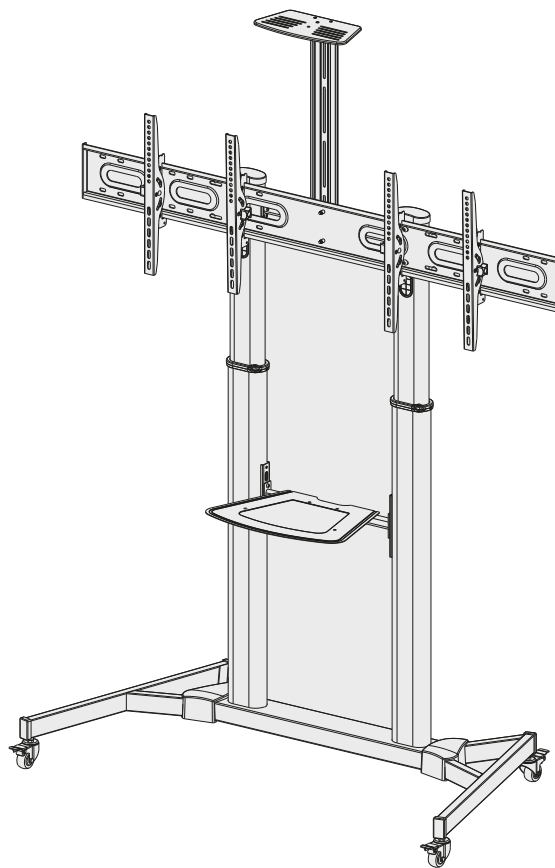




MANUAL DE INSTALACIÓN



SKU: TTD0344TW

- EN  Read the entire instruction manual before you start installation and assembly. If you have any questions regarding any of the instructions or warnings, please contact your local distributor for assistance.
-  **CAUTION:** Use with products heavier than the rated weights indicated may result in instability causing possible injury.
- Mounts must be attached as specified in assembly instructions. Improper installation may result in damage or serious personal injury.
 - Safety gear and proper tools must be used. This product should only be installed by professionals.
 - Make sure that the supporting surface will safely support the combined weight of the equipment and all attached hardware and components.
 - Use the mounting screws provided and DO NOT OVER TIGHTEN mounting screws.
 - This product contains small items that could be a choking hazard if swallowed. Keep these items away from children.
 - This product is intended for indoor use only. Using this product outdoors could lead to product failure and personal injury.
- IMPORTANT:** Ensure that you have received all parts according to the component checklist prior to installation. If any parts are missing or faulty, telephone your local distributor for a replacement.
- MAINTENANCE:** Check that the bracket is secure and safe to use at regular intervals (at least every three months).

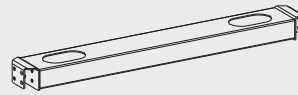
Component Checklist



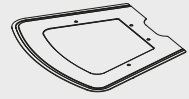
left plastic cover
A



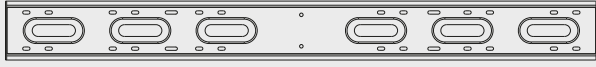
right plastic cover
B



middle base
C



DVD shelf
D



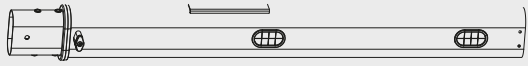
universal plate
E



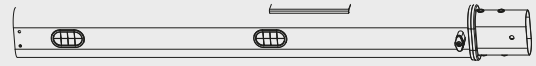
top covers
F



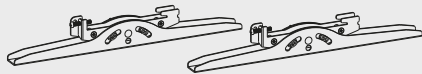
cable covers
G



left column
H



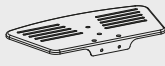
right column
I



left adapter brackets
J



right adapter brackets
K



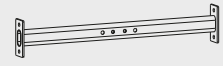
camera shelf
L



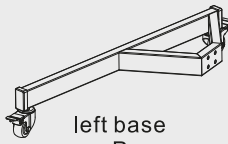
connecting plate
M



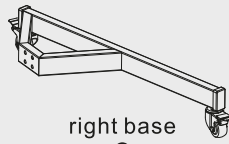
crossbar
N



support bar
O



left base
P



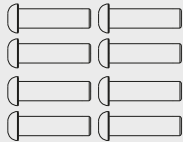
right base
Q



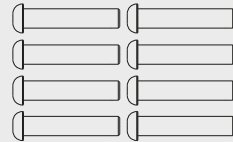
butterfly nuts
R



butterfly nuts
S



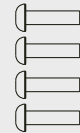
M8x30
T



M8x40
U



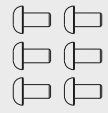
M6x14
V



M6x25
W



M6x8
X



M6x14
Y



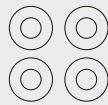
M8x65
Z



M4x6
A1



M4x6
B1



D8 washers
C1



D6 washers
D1

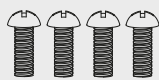


5mm Allen key
E1

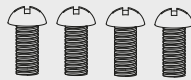


wrench
F1

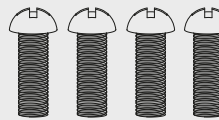
Package M x2



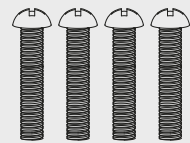
M5x14
M-A



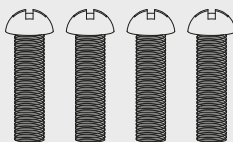
M6x14
M-B



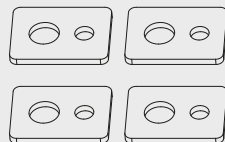
M8x20
M-C



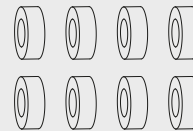
M6x30
M-D



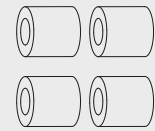
M8x30
M-E



washer
M-F

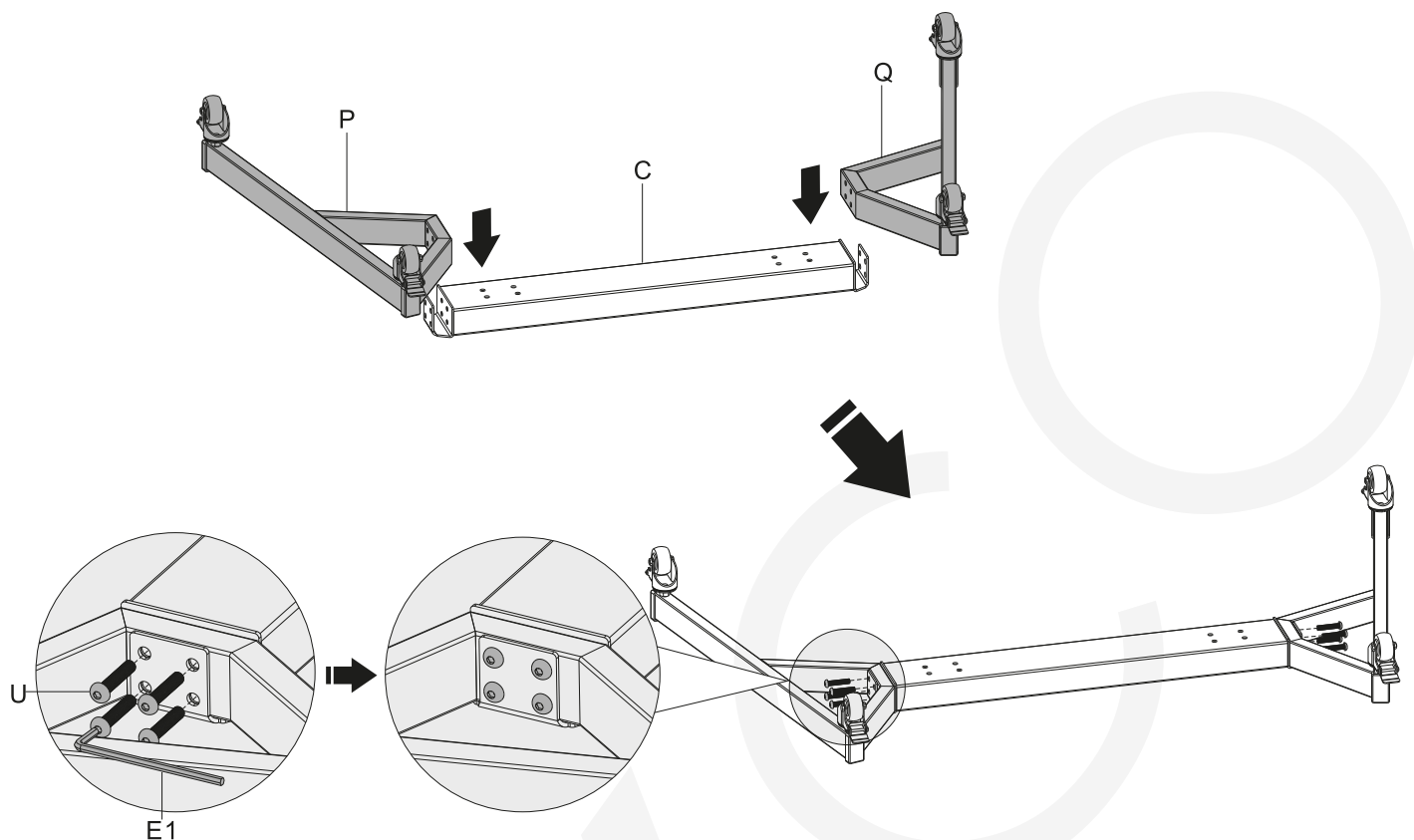


small spacer
M-G

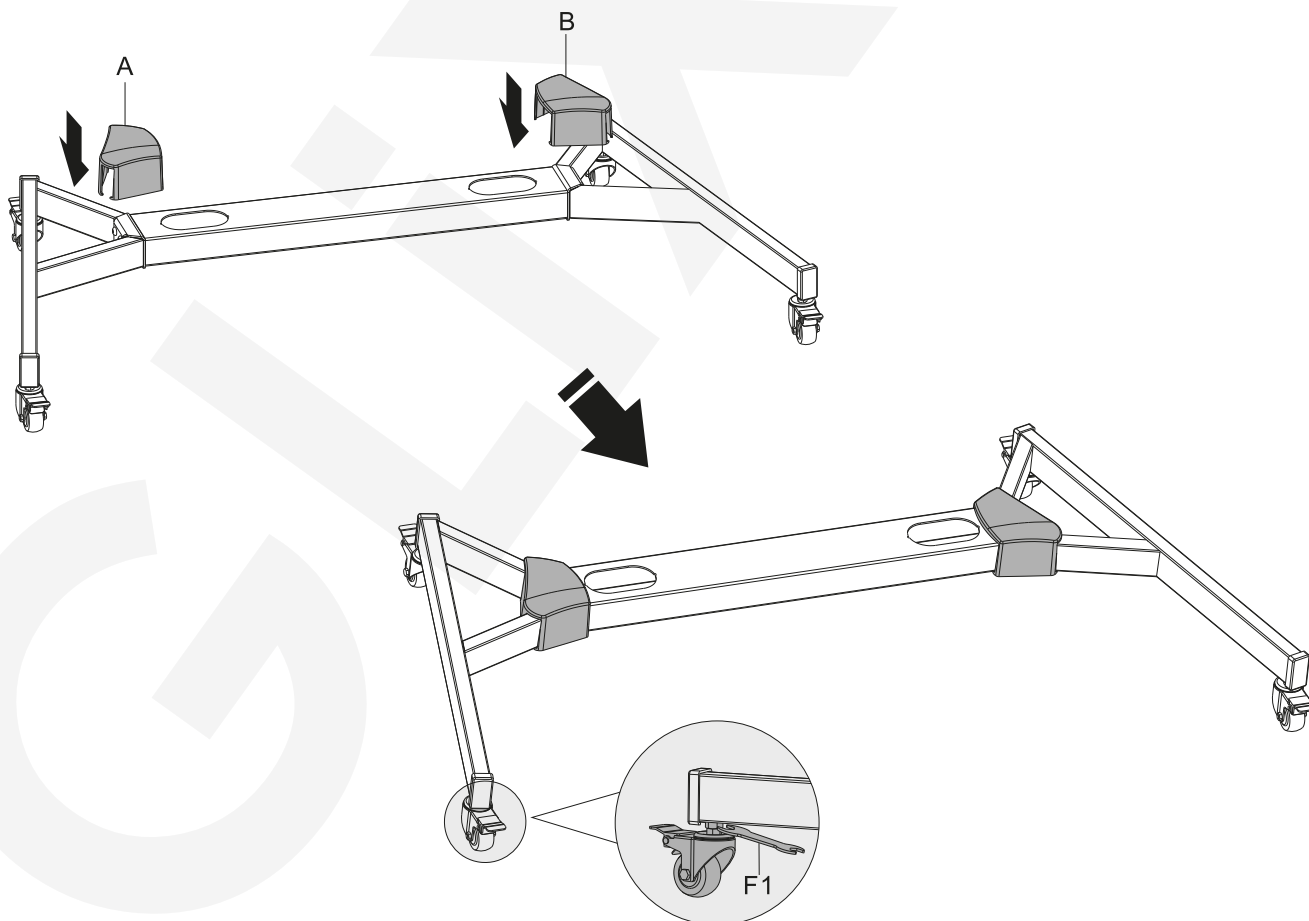


big spacer
M-H

1. Assembling the Base

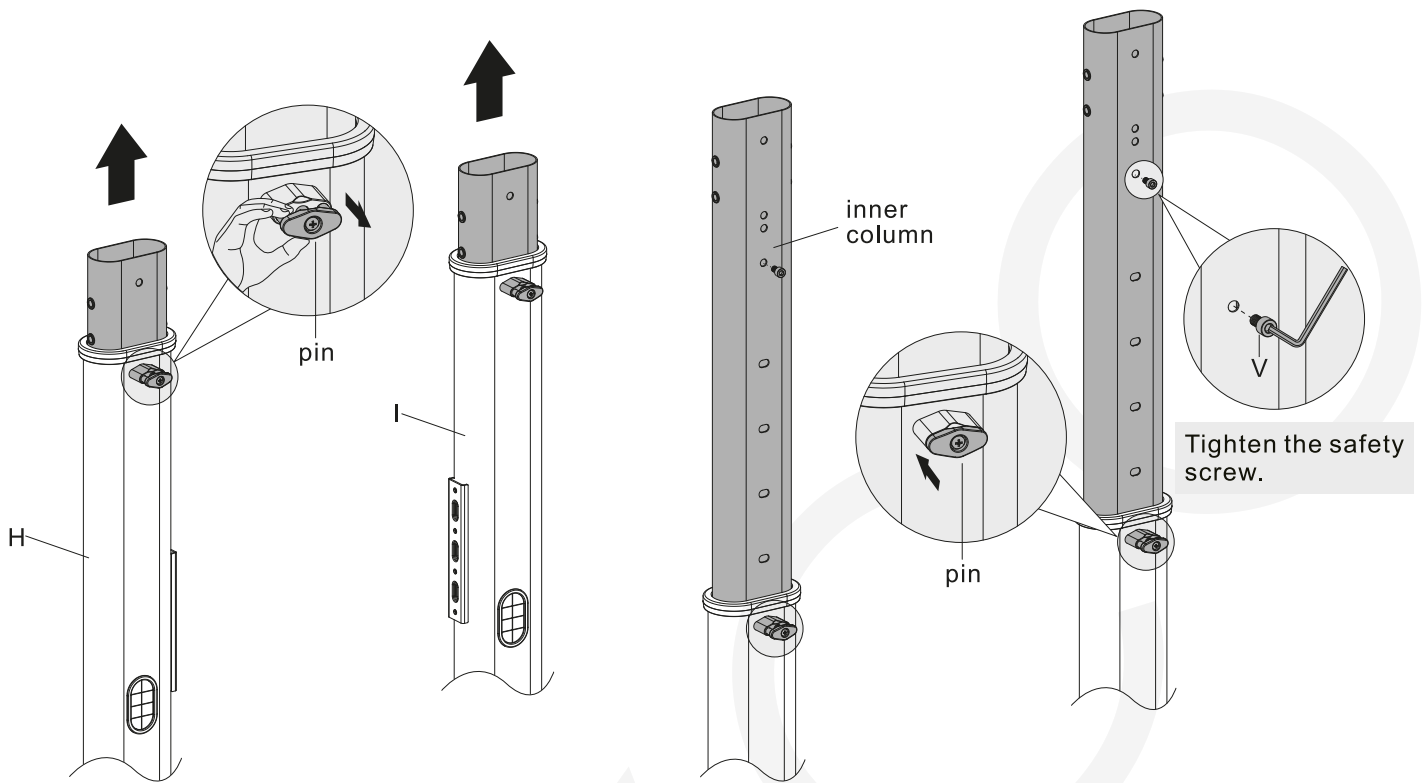


Attach the right base to the middle base and secure with screws(U). Repeat this step for the left base.

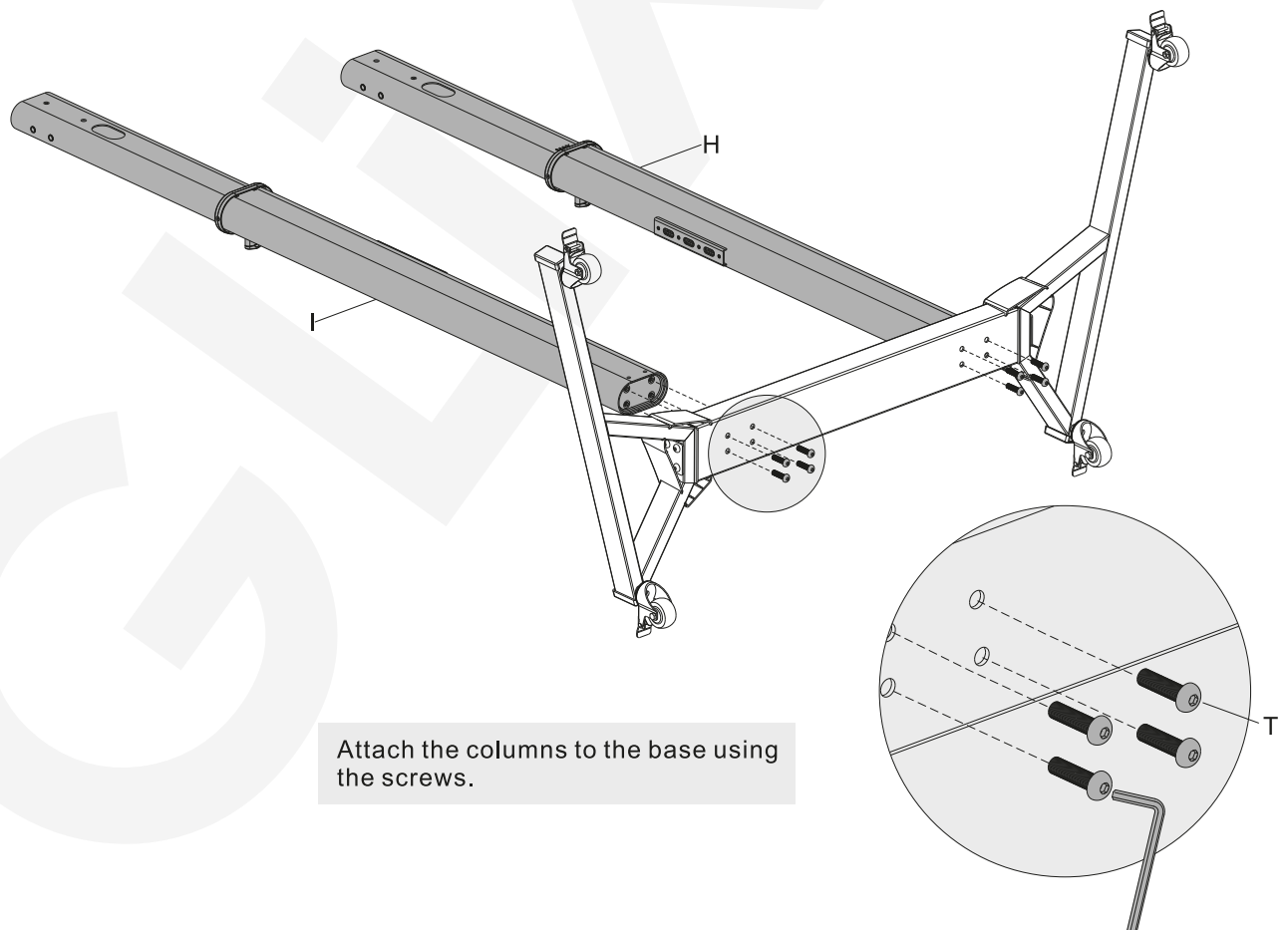


NOTE: Lock the brakes on the casters to avoid any sudden movements during installation. Each caster can be adjusted independently for fine adjustments. Slightly turn the nut to lower or raise the base.

2. Attaching the Columns to the Base

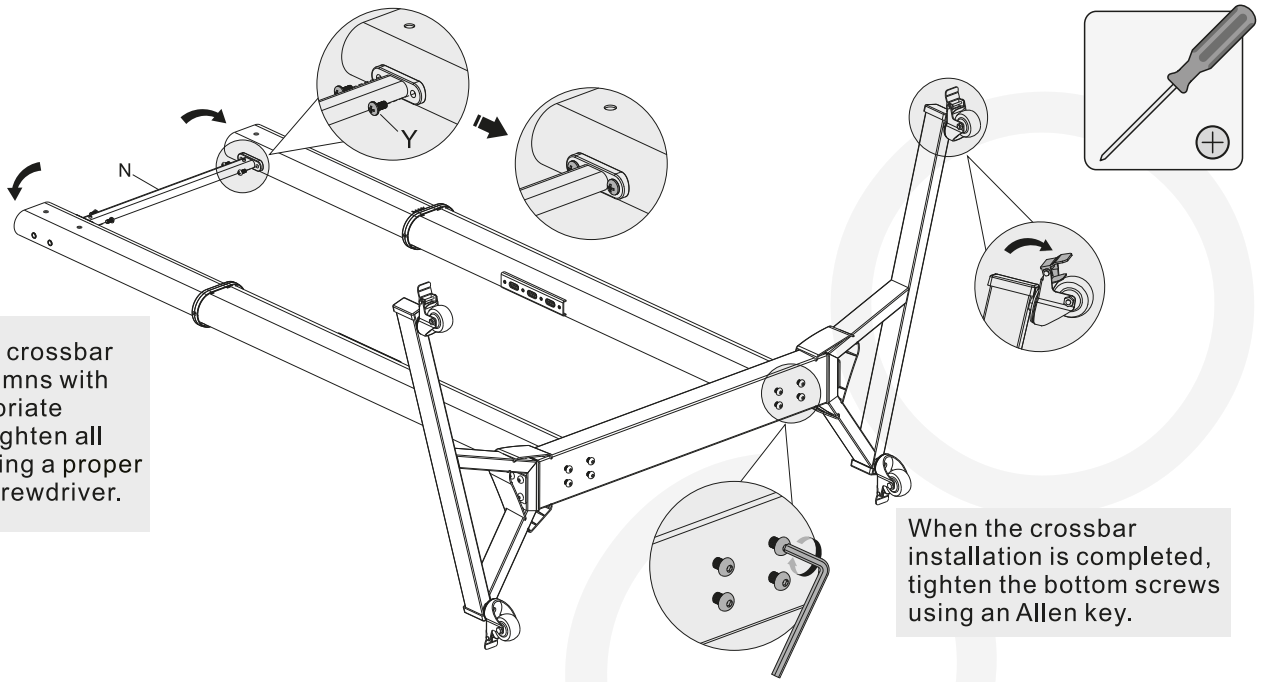


Pull the pin outwards and pull the inner column upwards at the same time, until the inner column is pulled to the desired height then release the pin to secure.



Attach the columns to the base using the screws.

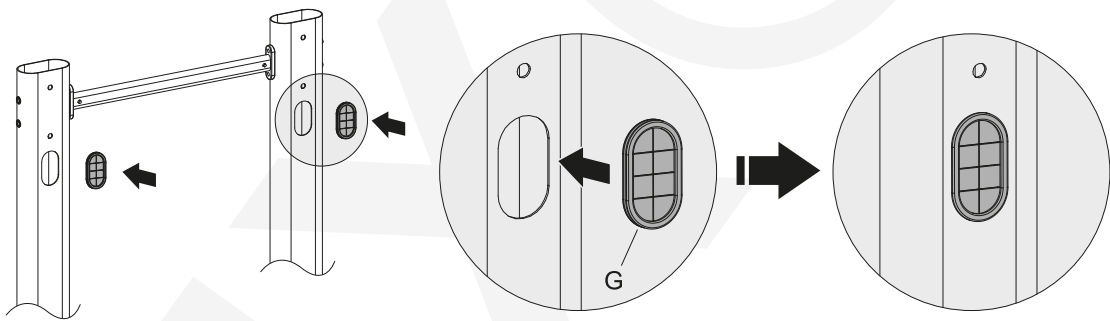
3. Installing the Crossbar



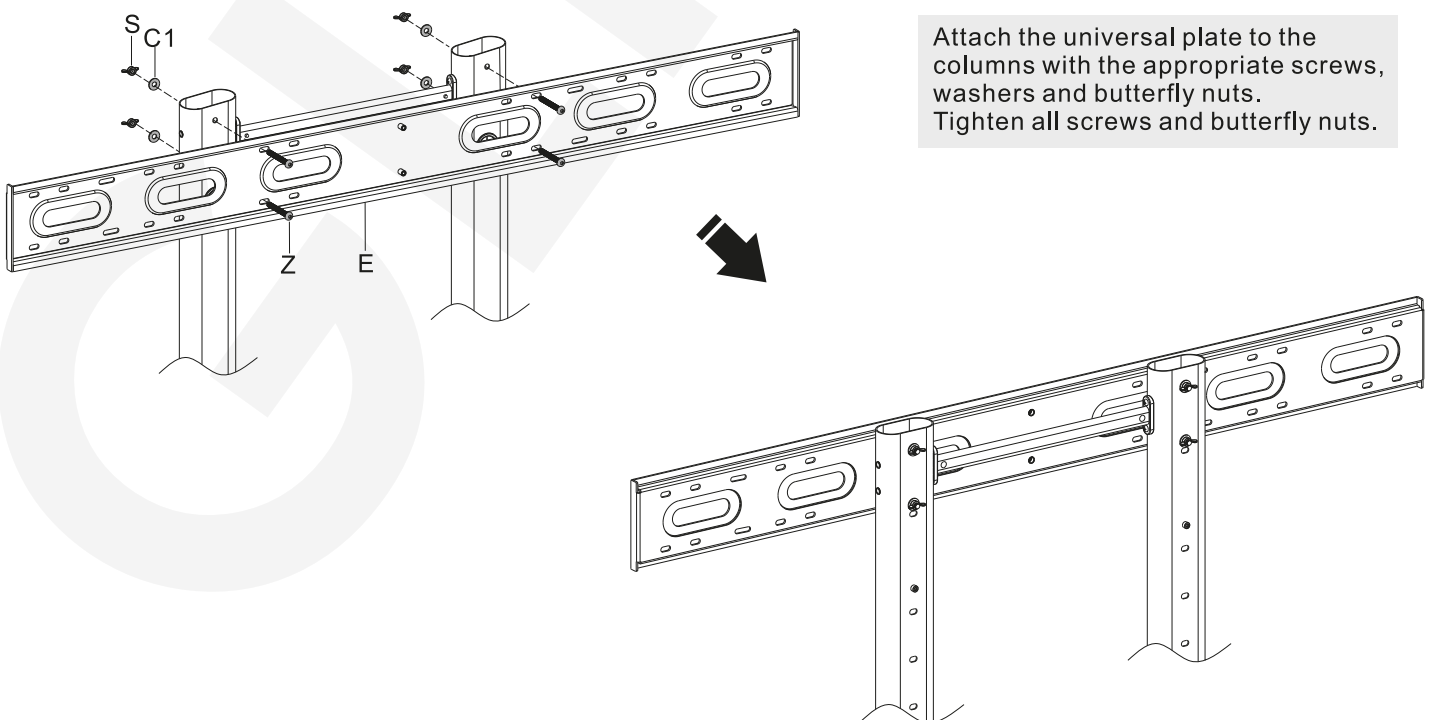
Attach the crossbar to the columns with the appropriate screws. Tighten all screws using a proper Phillips screwdriver.

When the crossbar installation is completed, tighten the bottom screws using an Allen key.

4. Installing the Cable Covers

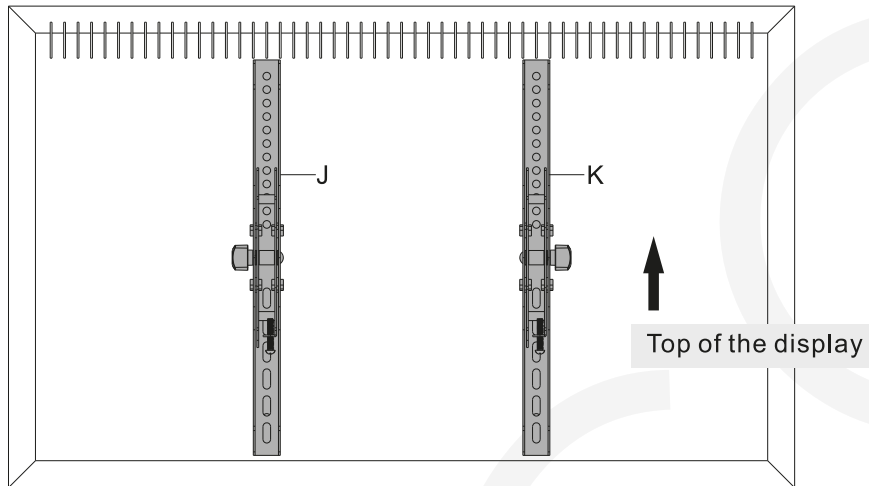


5. Installing the Universal Plate

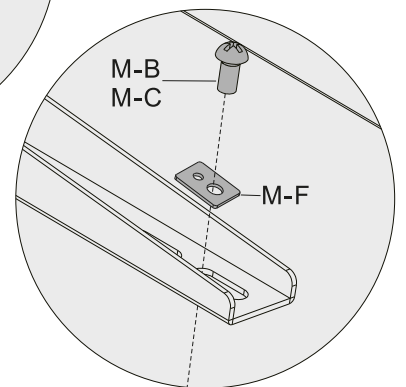
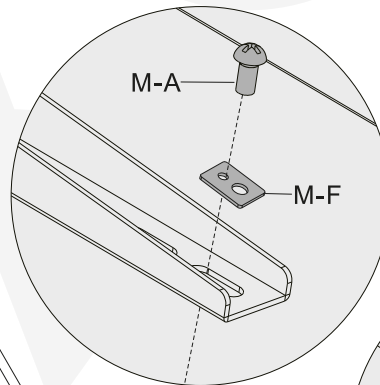
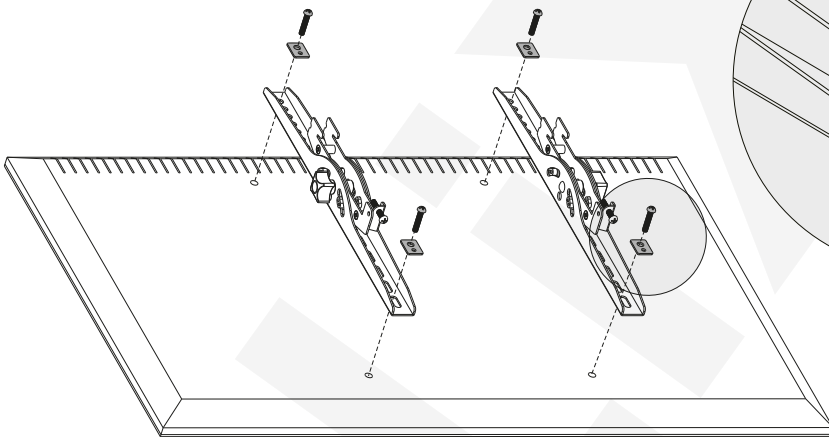
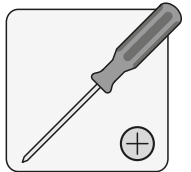
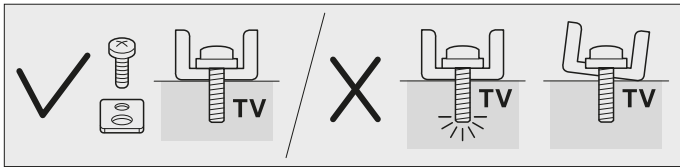


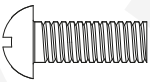

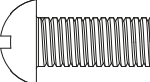
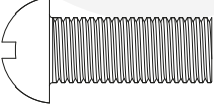
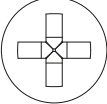

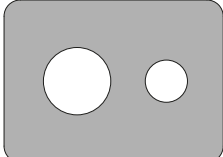
Attach the universal plate to the columns with the appropriate screws, washers and butterfly nuts. Tighten all screws and butterfly nuts.

6. Installing the Adapter Brackets

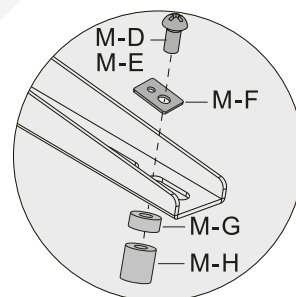
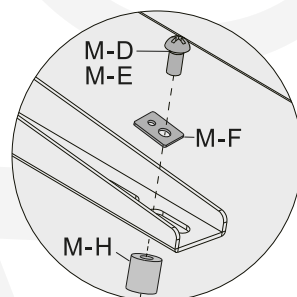
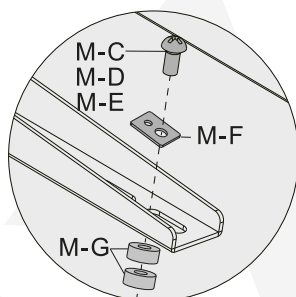
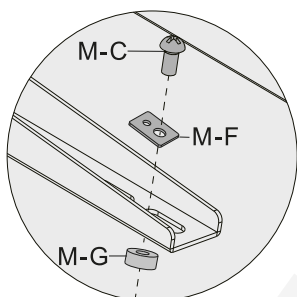
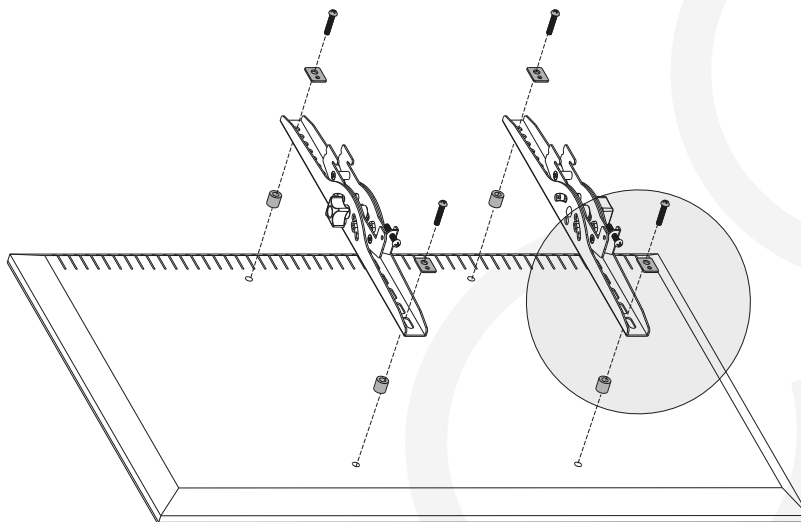
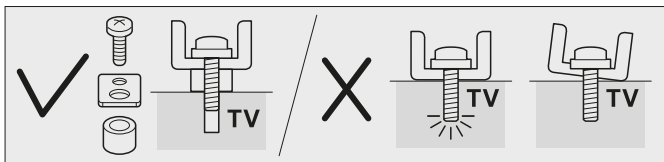


6a. For Flat Back Screens



		1:1	
M-A			M-B
			
M-C			M-F
			
			

6b. For Screens with Irregular Back

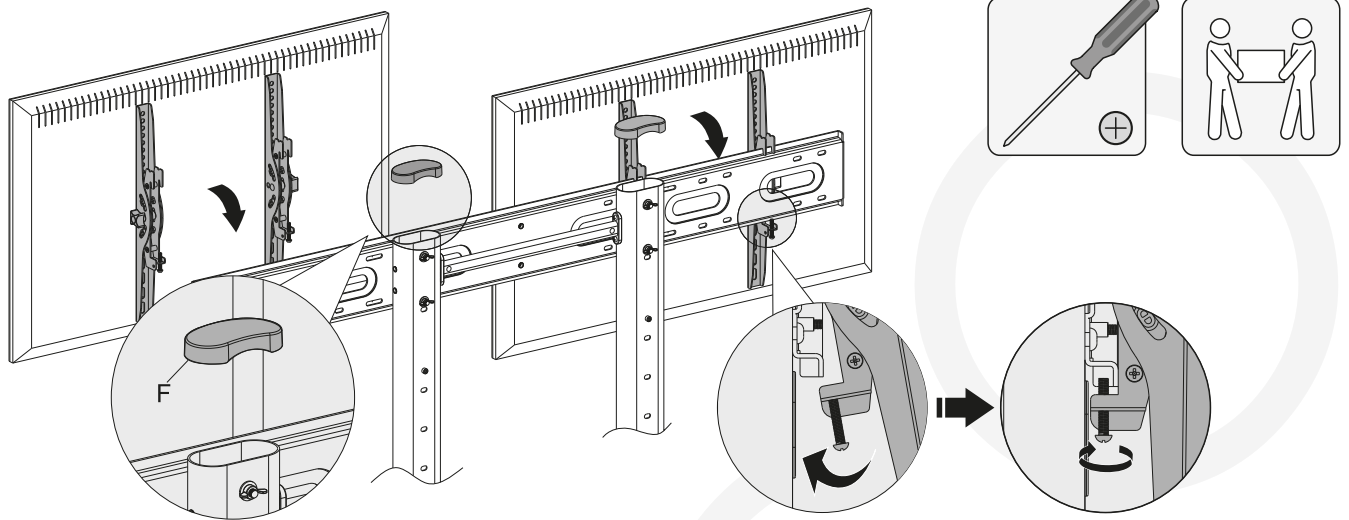


1:1			
M-C			
M-D			
M-E			
M-F			
M-G			
M-H			

Note: Choose the appropriate screws, washers and spacers (if necessary) according to the type of screen.
 • Position the adapter brackets as close as possible to the center of the display.
 • Screw the adapter brackets onto the display.

Tighten all screws but do not over tighten.

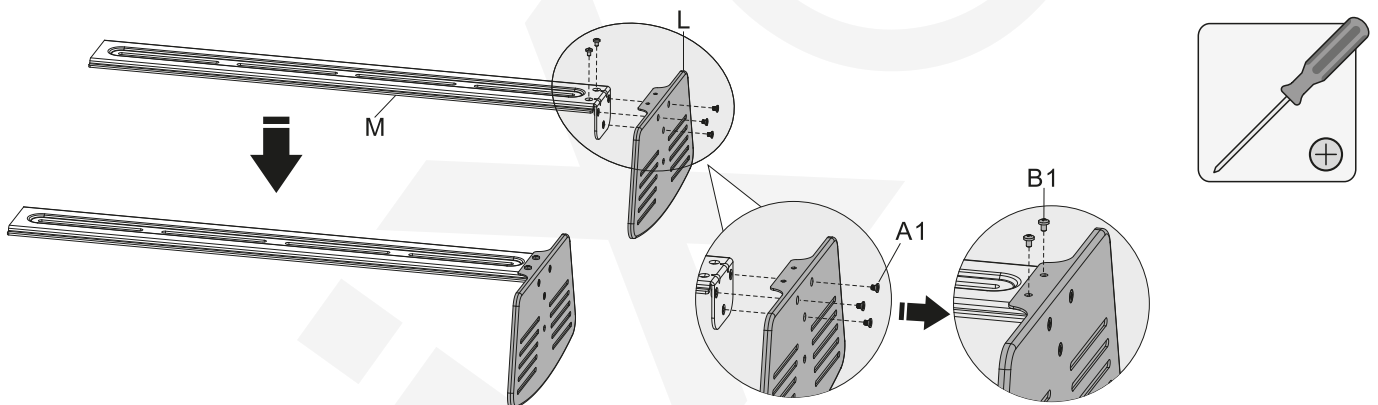
7. Hooking the Displays onto the Universal Plate



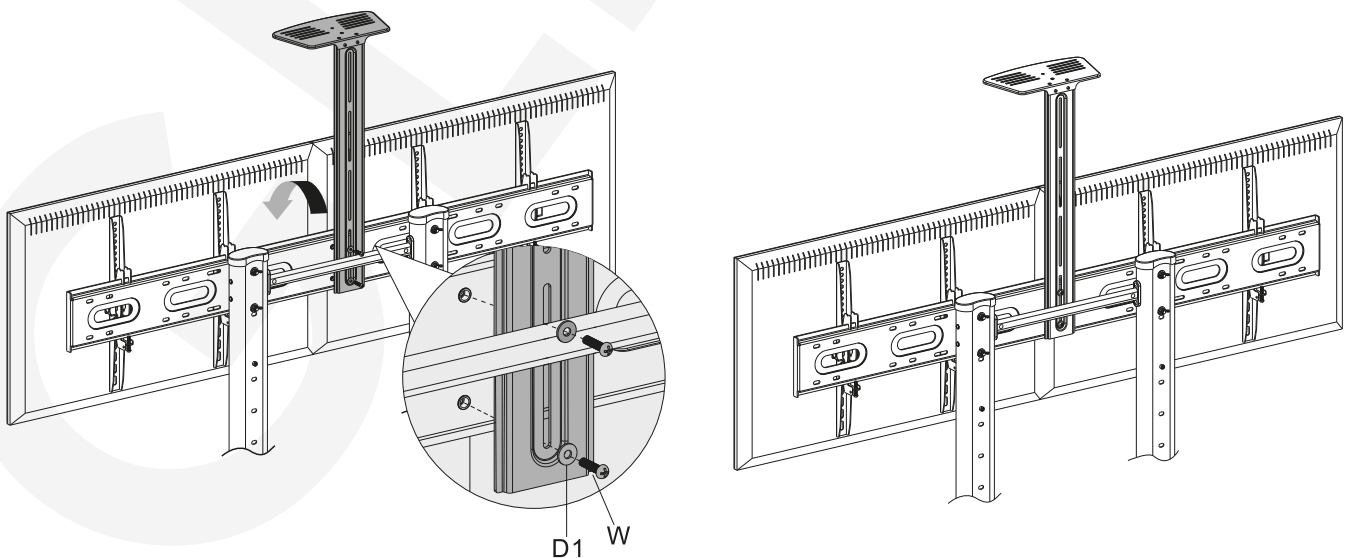
- Hook the displays onto the universal plate.
- Tighten the bottom screws to secure them.

IMPORTANT: Make sure the displays are mounted correctly and the screws are tightened safely before releasing the displays.

8. Installing the Camera Shelf

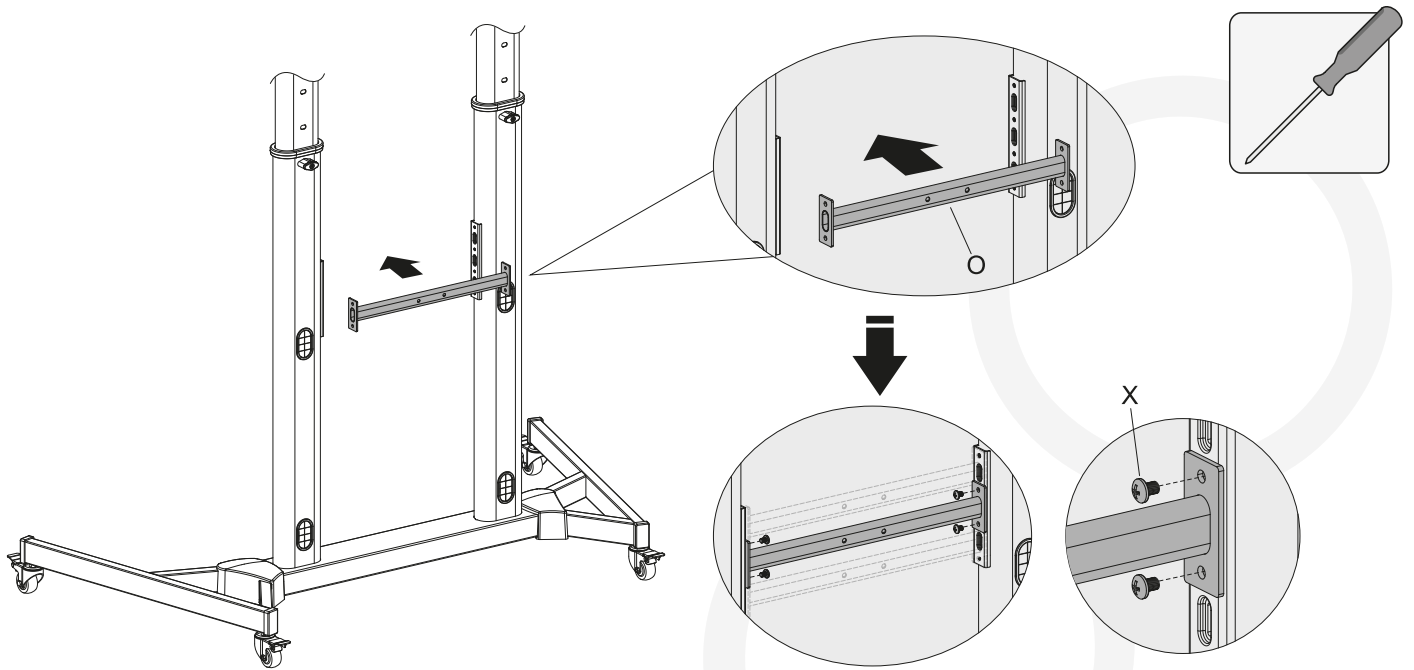


Attach the camera shelf to the connecting plate with the appropriate screws. Tighten all screws using a proper Phillips screwdriver.

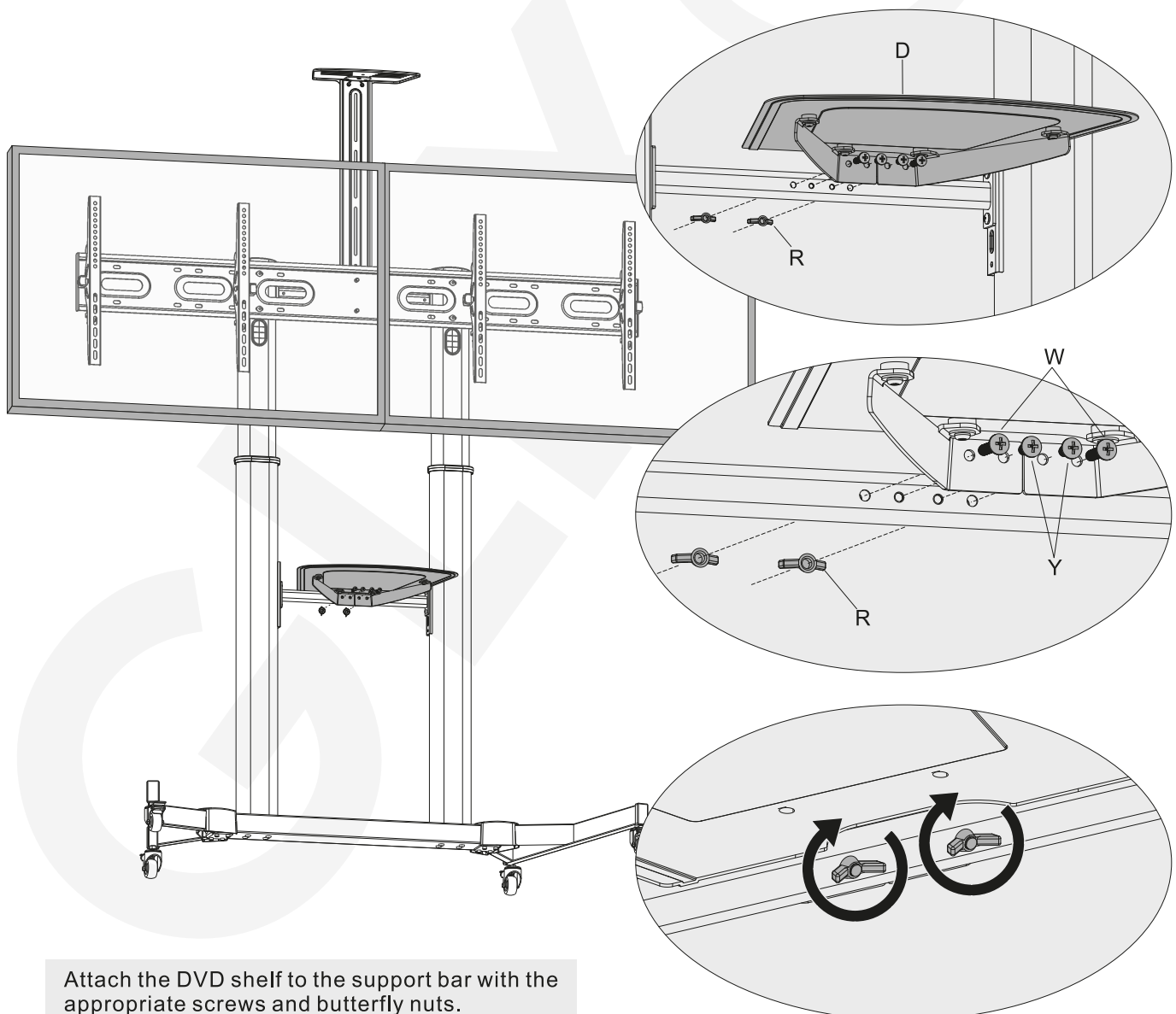


Attach the connecting plate to the universal plate with the appropriate screws and washers. Tighten all screws using a proper Phillips screwdriver.

9. Installing the DVD Shelf

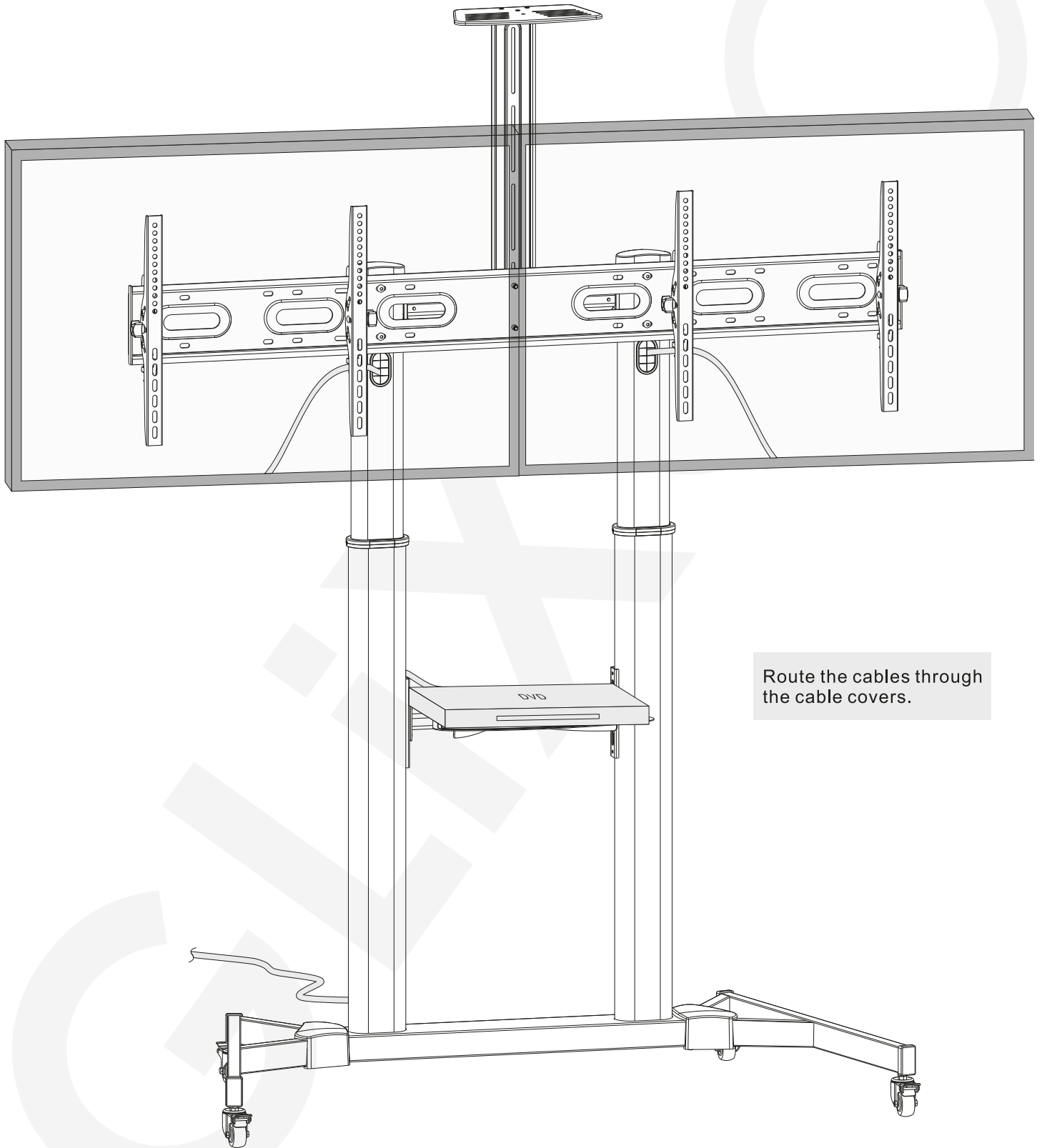


Install the support bar to the columns at the desired position and secure using the appropriate screws.



Attach the DVD shelf to the support bar with the appropriate screws and butterfly nuts. Tighten all screws and butterfly nuts to secure.

10. Cable Management



Route the cables through the cable covers.