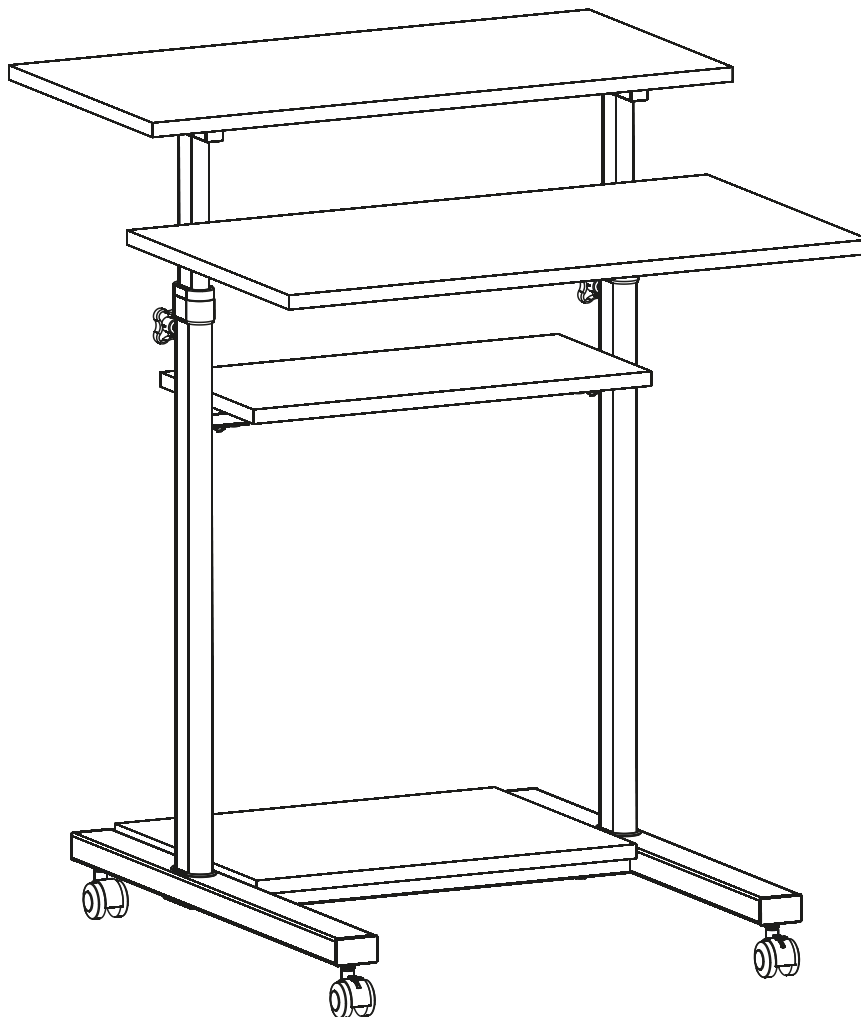



MANUAL DE INSTALACIÓN



SKU: TSW01

EN  Read the entire instruction manual before you start installation and assembly. If you have any questions regarding any of the instructions or warnings, please contact your local distributor for assistance.



CAUTION: Use with products heavier than the rated weights indicated may result in instability causing possible injury.

• Mounts must be attached as specified in assembly instructions. Improper installation may result in damage or serious personal injury.

• Safety gear and proper tools must be used. This product should only be installed by professionals.

• Make sure that the supporting surface will safely support the combined weight of the equipment and all attached hardware and components.

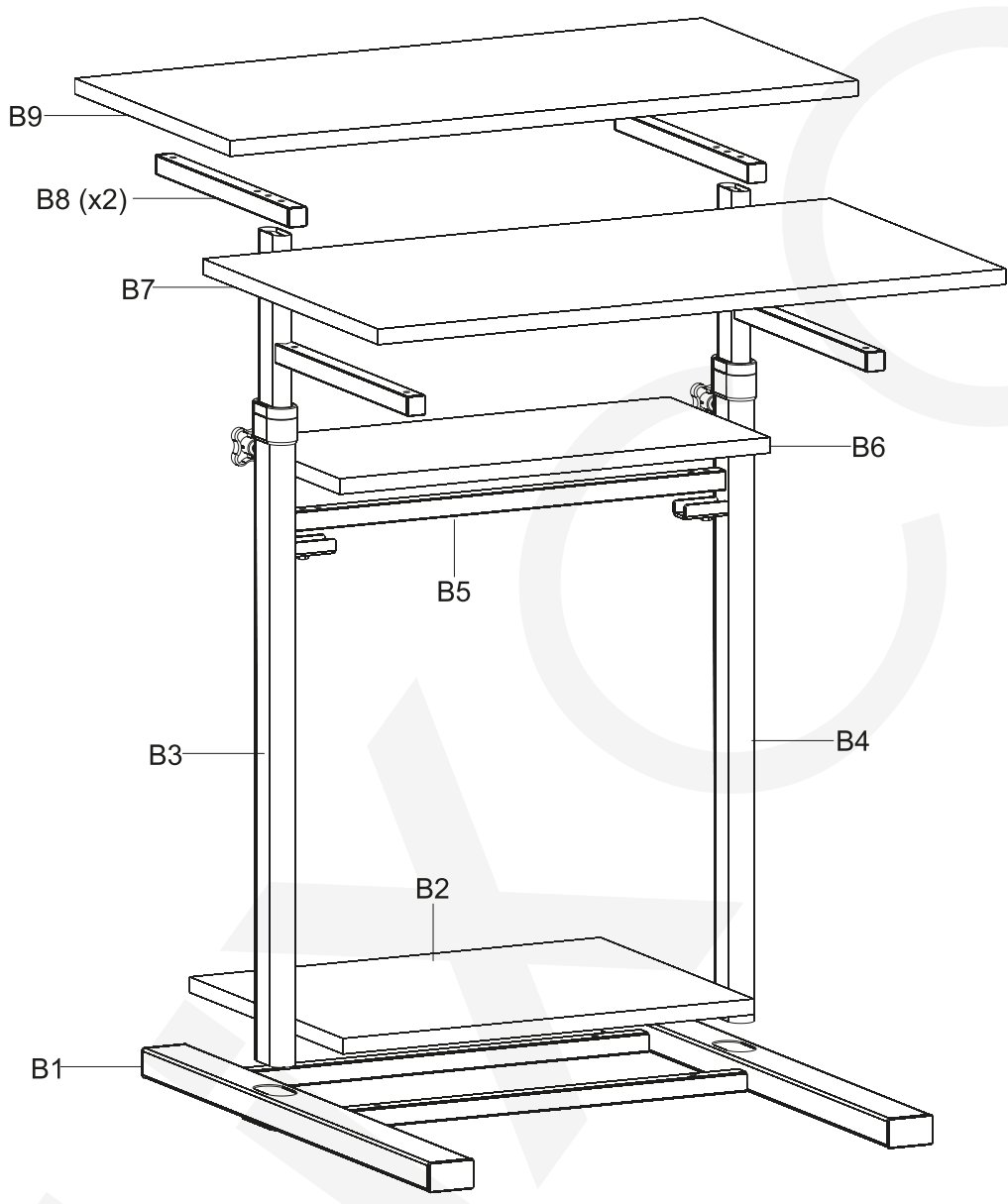
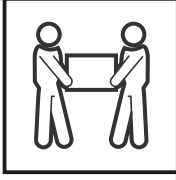
• Use the mounting screws provided and DO NOT OVER TIGHTEN mounting screws.






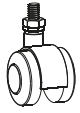


• This product contains small items that could be a choking hazard if swallowed. Keep these items away from children.

• This product is intended for indoor use only. Using this product outdoors could lead to product failure and personal injury.

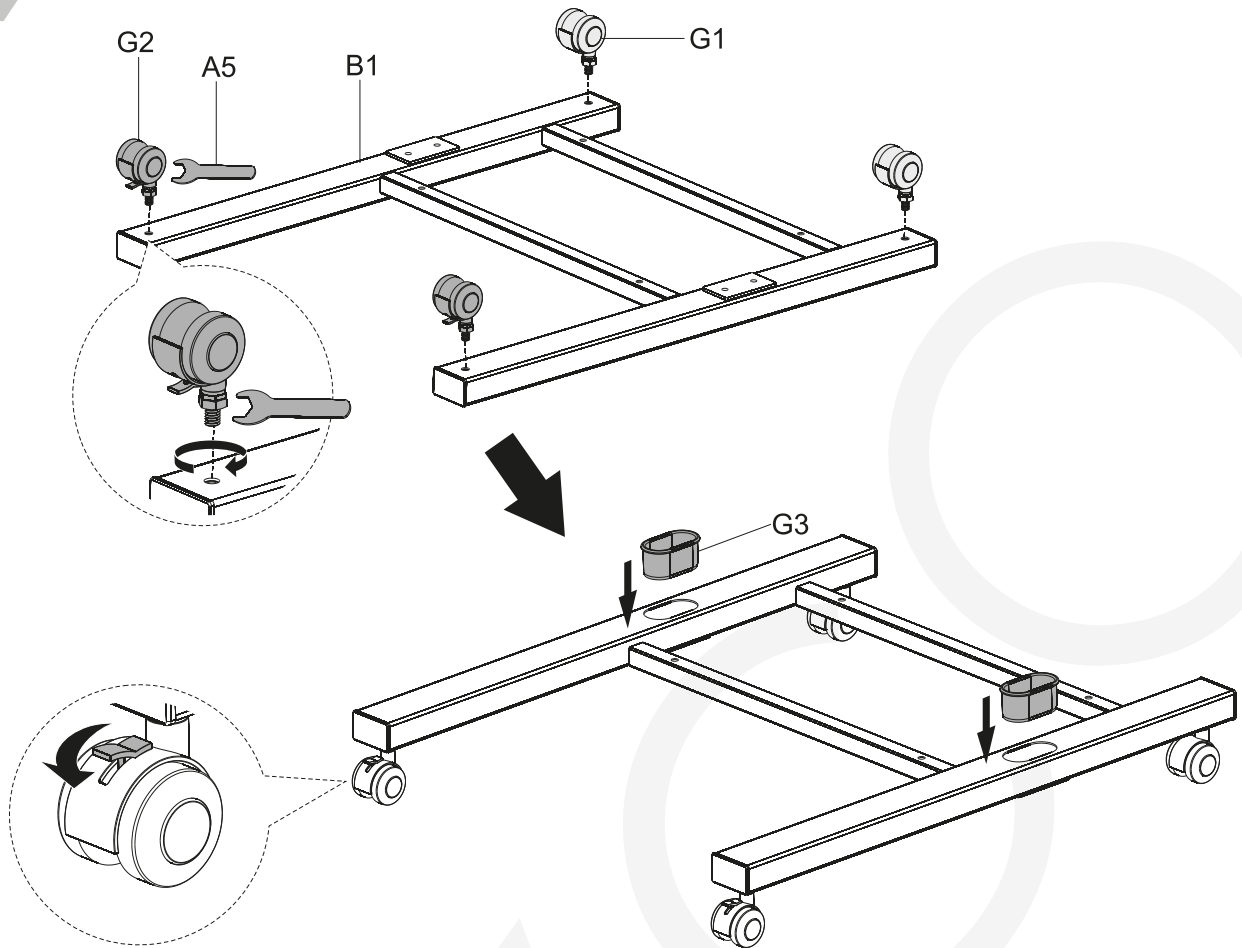
IMPORTANT: Ensure that you have received all parts according to the component checklist prior to installation. If any parts are missing or faulty, telephone your local distributor for a replacement.

MAINTENANCE: Check that the bracket is secure and safe to use at regular intervals (at least every three months).



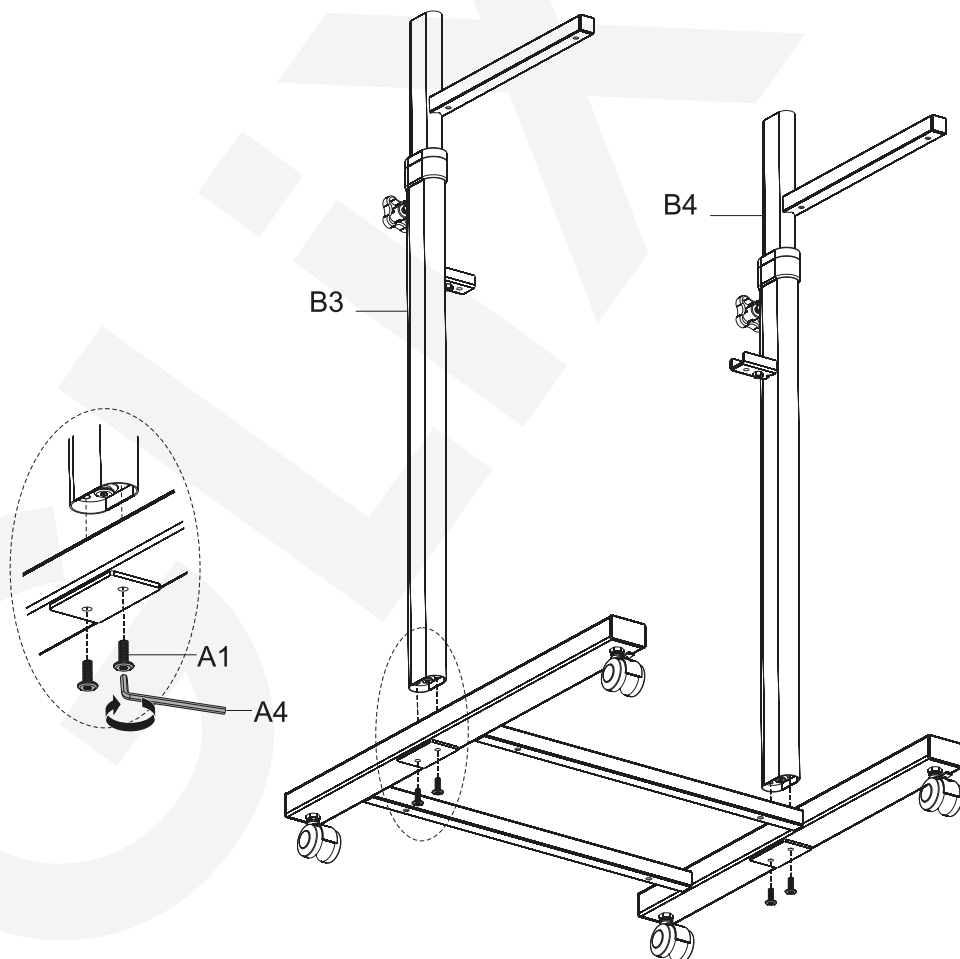
 M6x20 A1 (x4)	 M6x30 A2 (x18)	 M6x35 A3 (x2)	 A4 (x1)
 A5 (x1)	 G1 (x2)	 G2 (x2)	 G3 (x2)

1

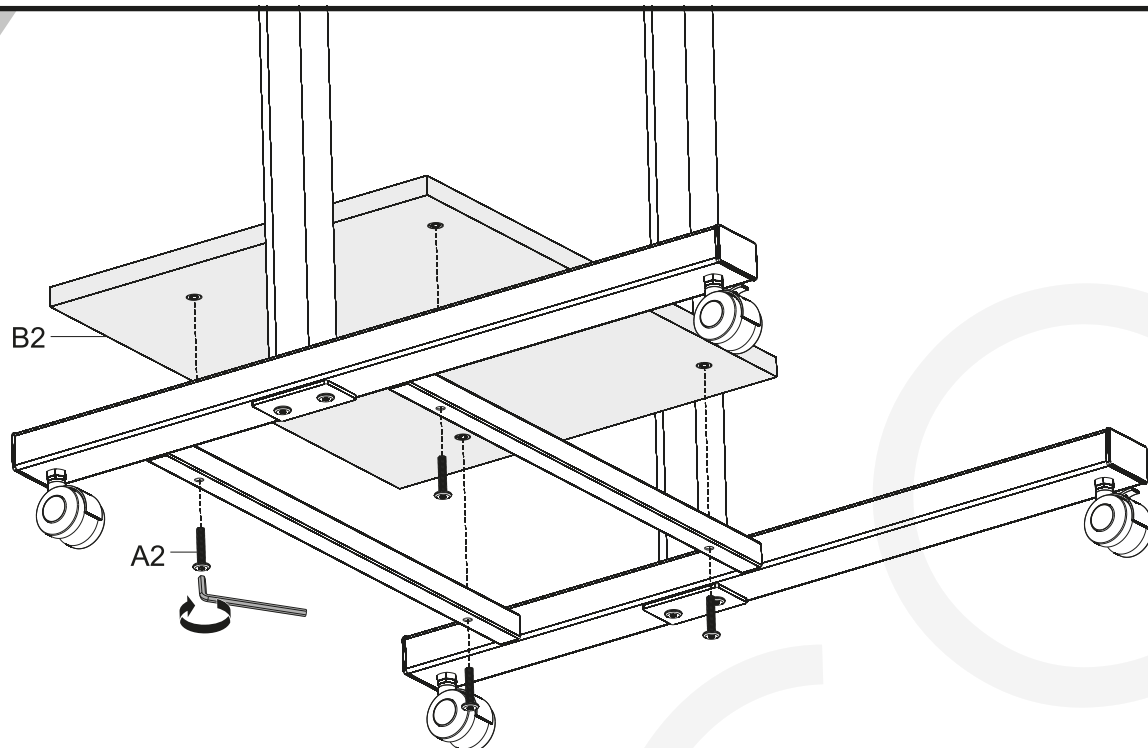


Lock the brakes on the casters to avoid any sudden movements during installation.

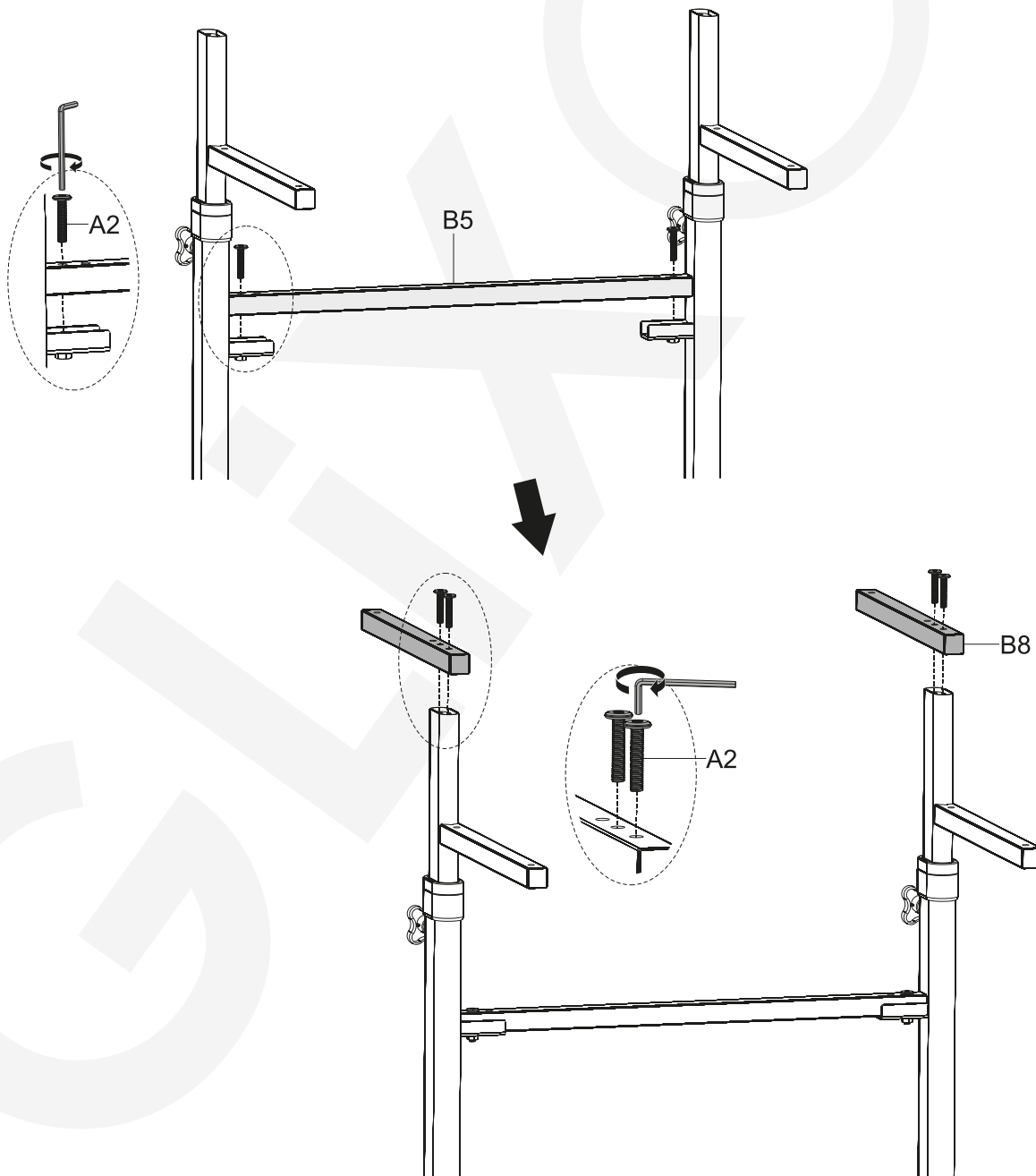
2



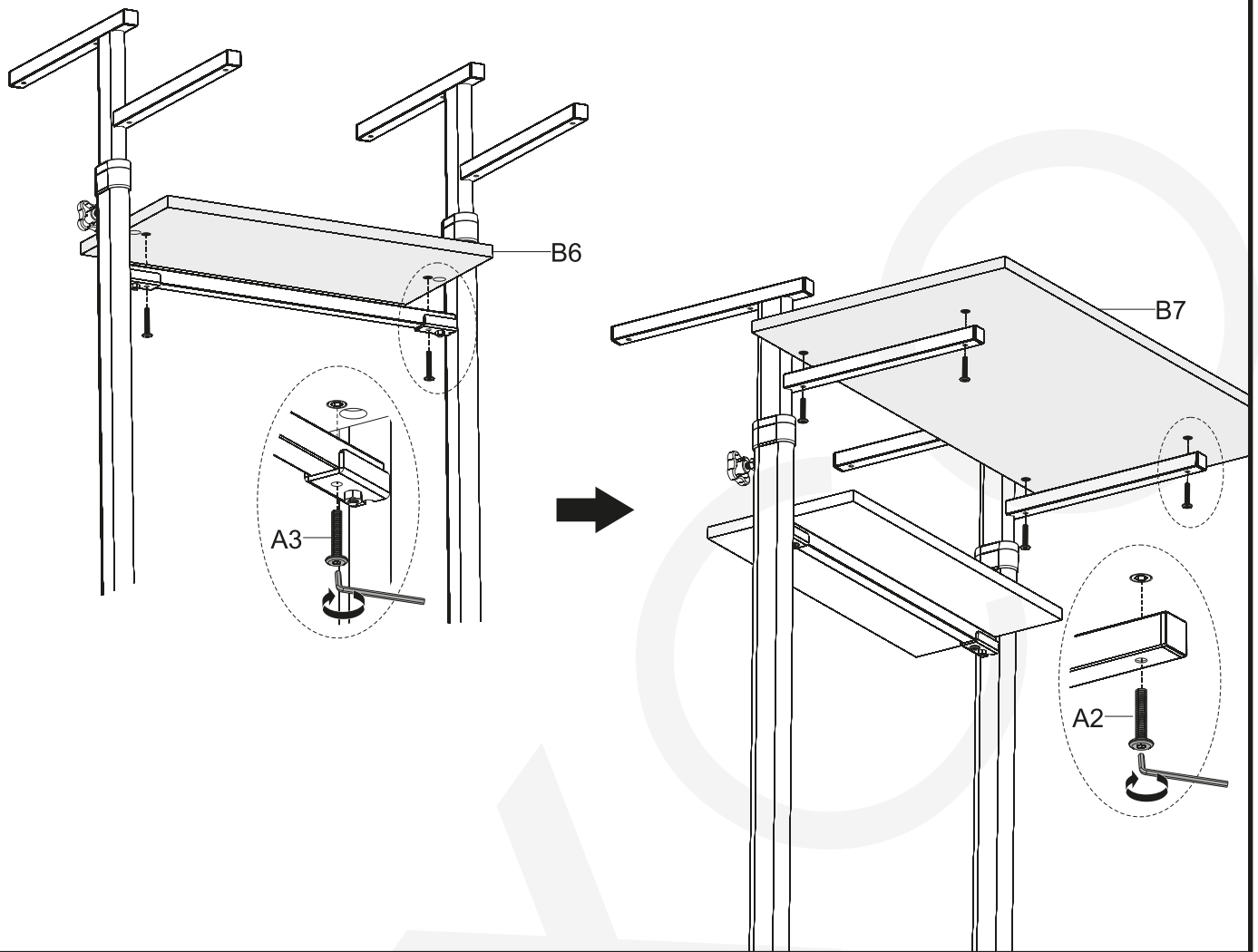
3



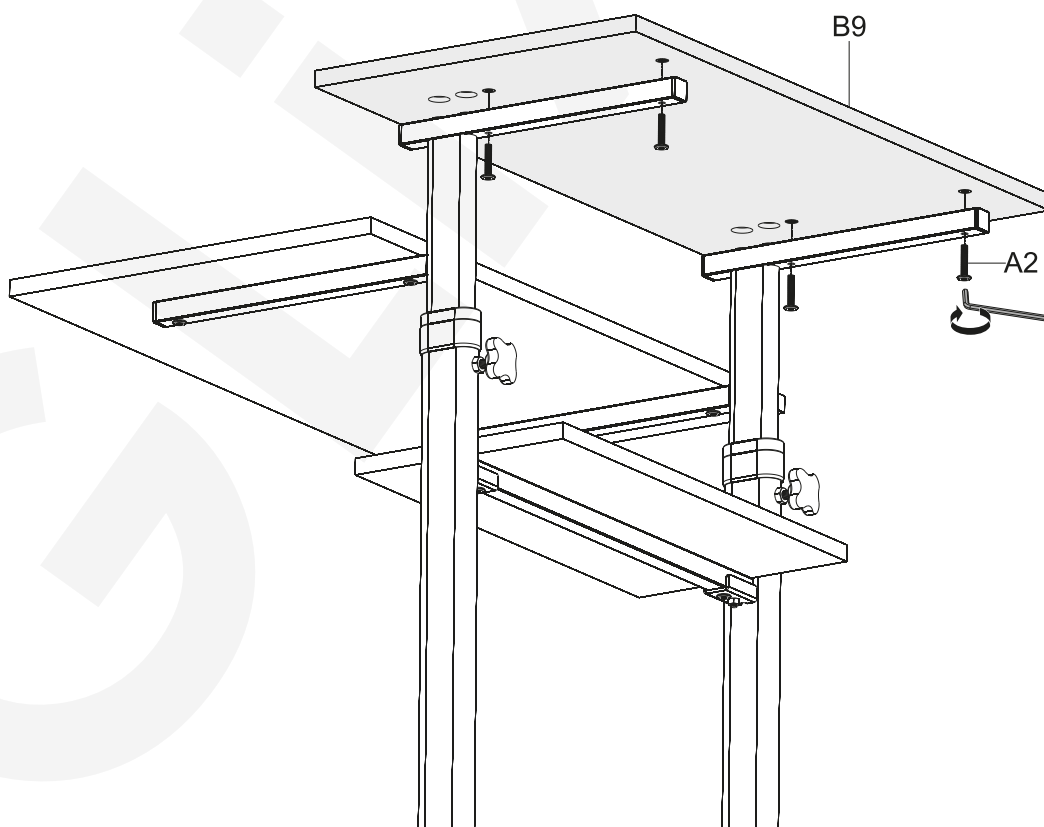
4

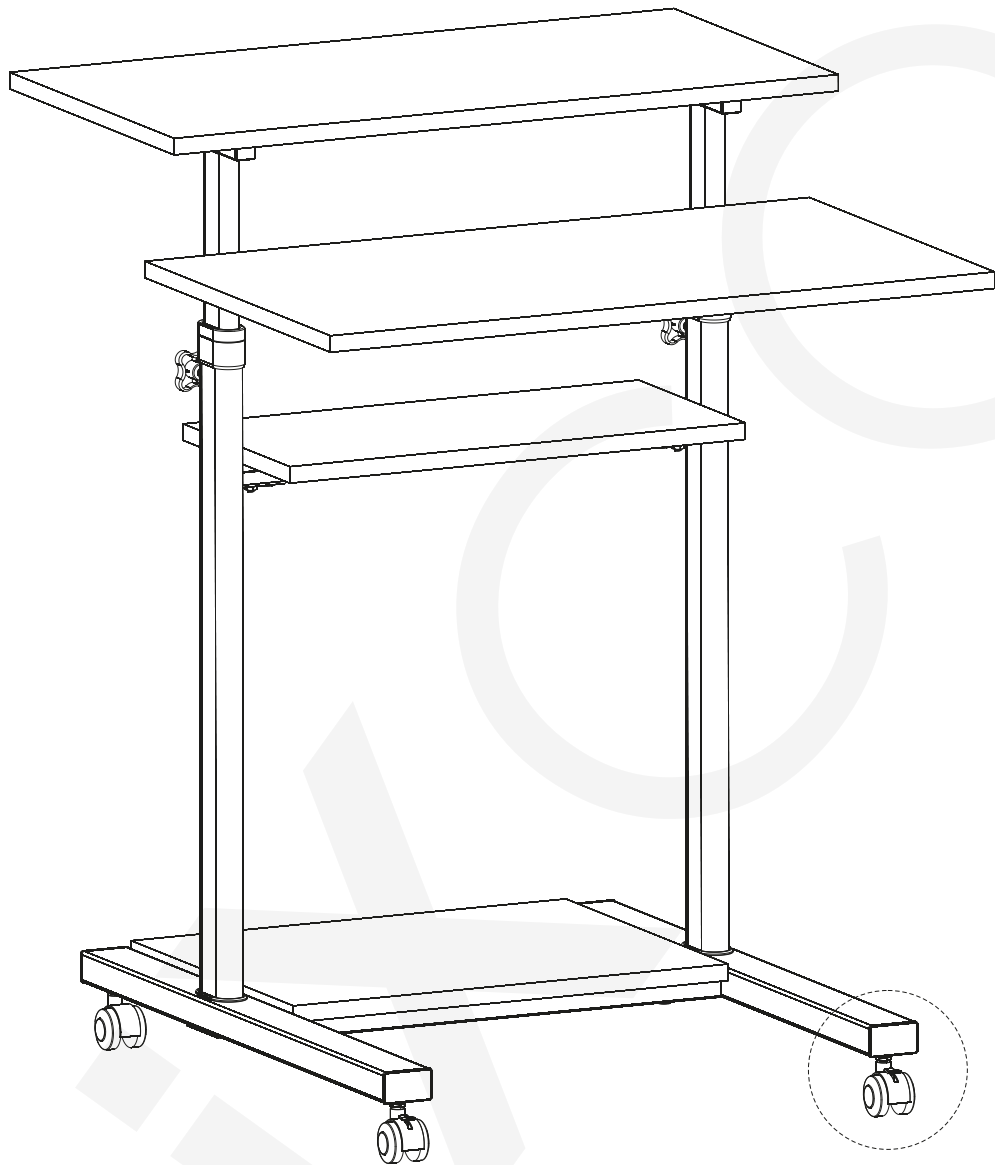


5

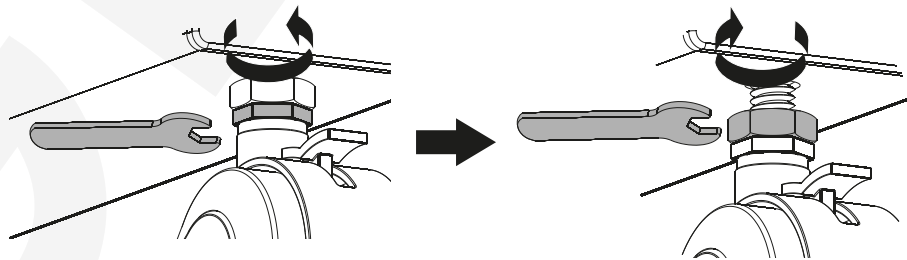


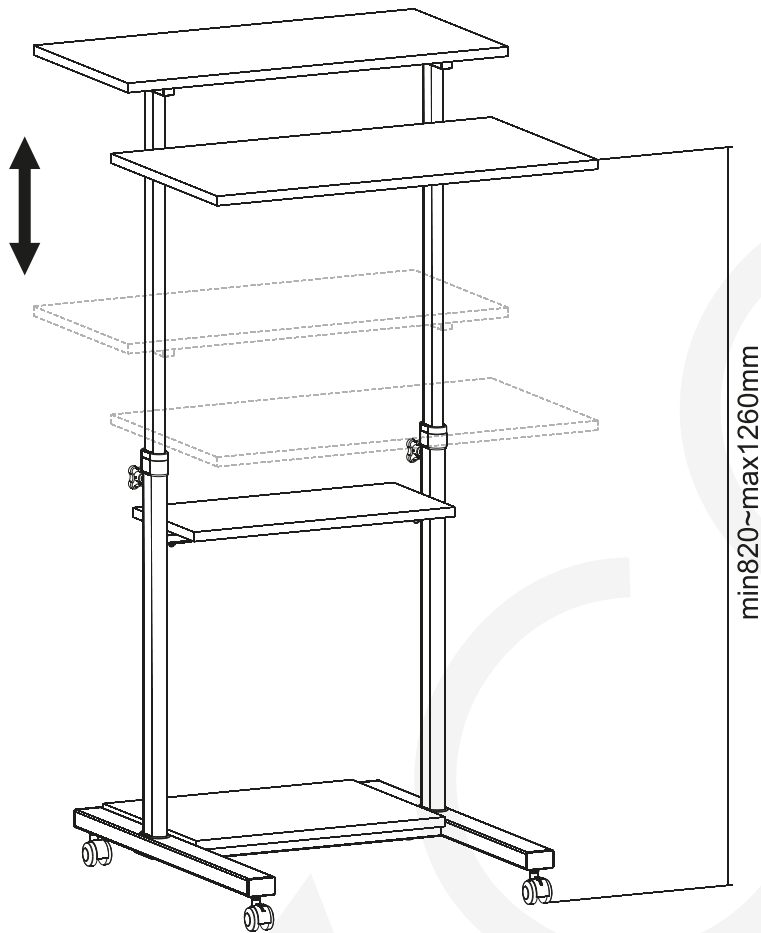
6





Note: Make sure all casters are at the same height, if not, adjust casters as follow:
Loosen the bottom nut to adjust the height, then tighten the top nut.





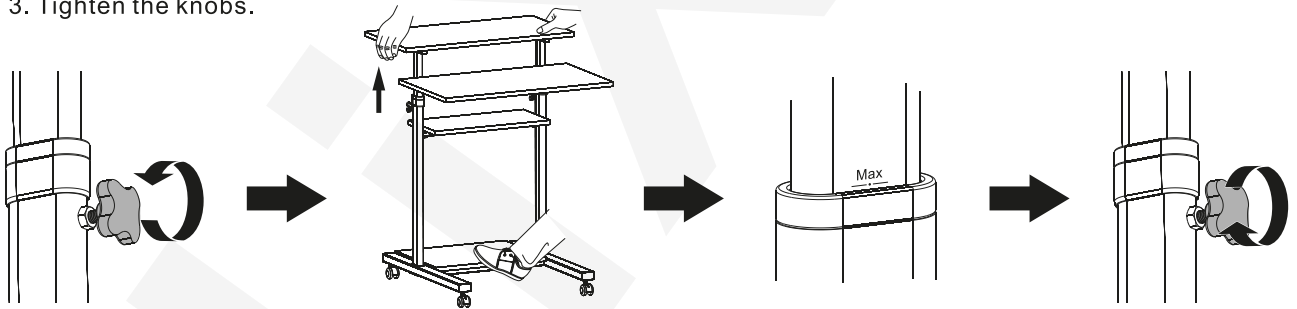
To lift the desk

1. Loosen the knobs

2. Firmly hold the desktops and lift it to desired height until a "click" sound is heard

Note: When the mark MAX is found on the legs, it indicates that you have reached the highest setting and do not continue to lift.

3. Tighten the knobs.



To lower the desk

1. Loosen the knobs

2. Lift the desk directly to the top height until the mark Down is found on the legs, then lower it slowly to the most bottom.

3. Repeat the lifting steps to your desired height.

Note:

- Please do not put anything on the desktops when adjusting the desk height.
- Make sure a "click" sound is heard which indicates the height is fixed securely.

