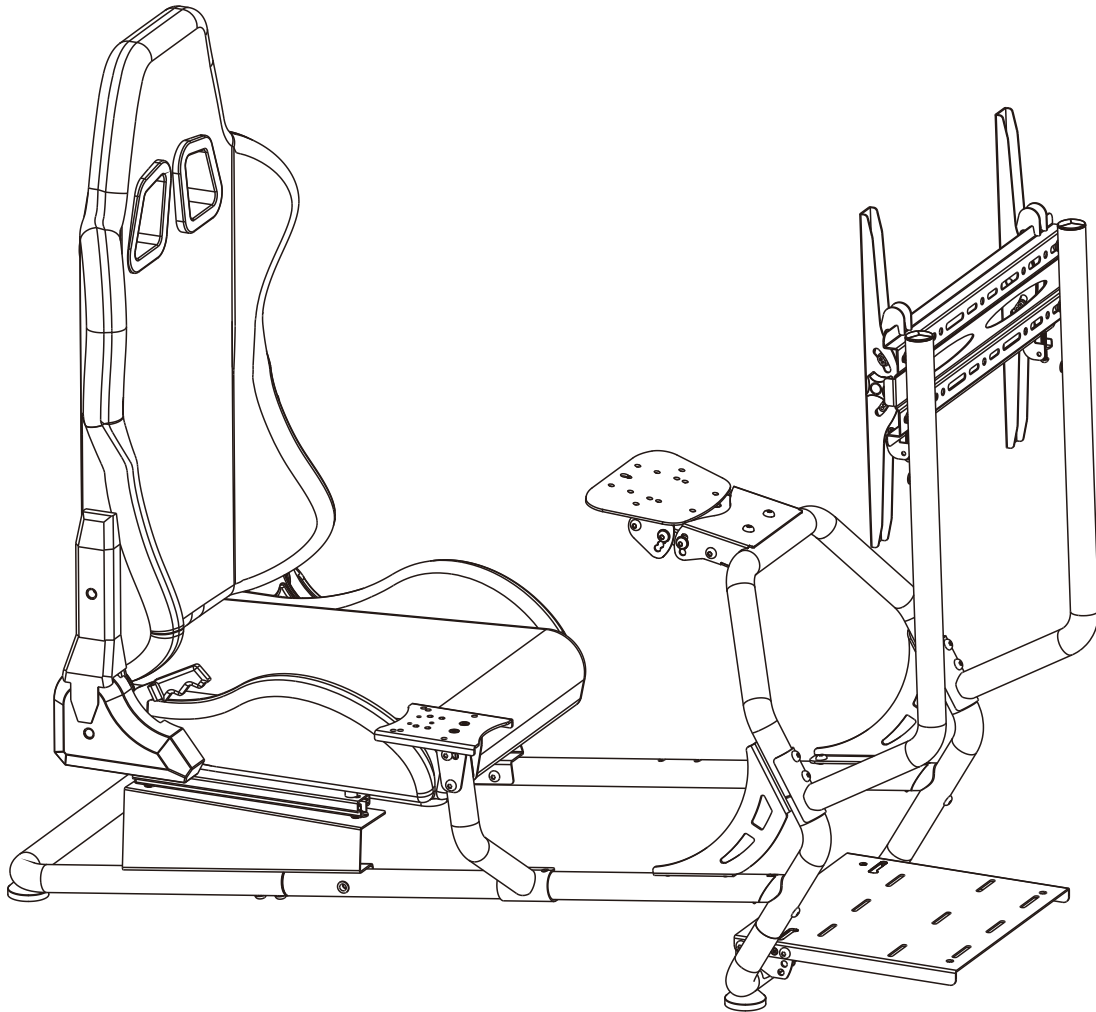



# MANUAL DE INSTALACIÓN



**SKU: RALLY03BSTV1**

**EN**  Read the entire instruction manual before you start installation and assembly. If you have any questions regarding any of the instructions or warnings, please contact your local distributor for assistance.



**CAUTION:** Use with products heavier than the rated weights indicated may result in instability causing possible injury.

• Mounts must be attached as specified in assembly instructions. Improper installation may result in damage or serious personal injury.

• Safety gear and proper tools must be used. This product should only be installed by professionals.

• Make sure that the supporting surface will safely support the combined weight of the equipment and all attached hardware and components.

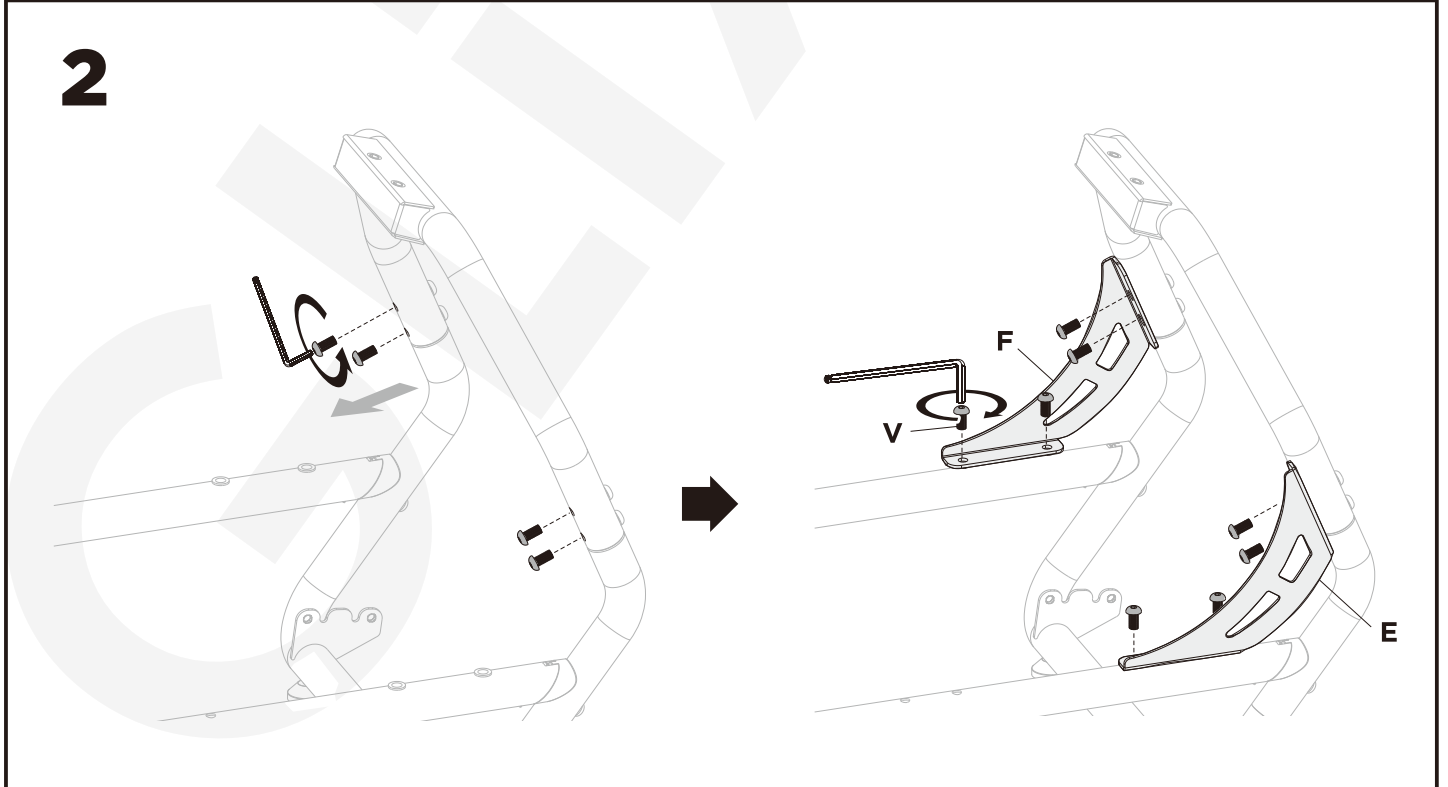
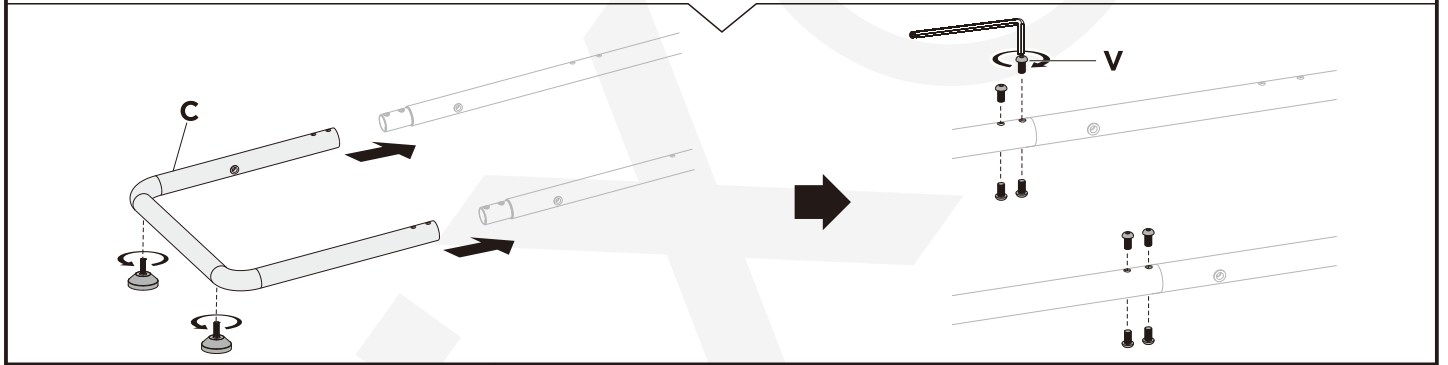
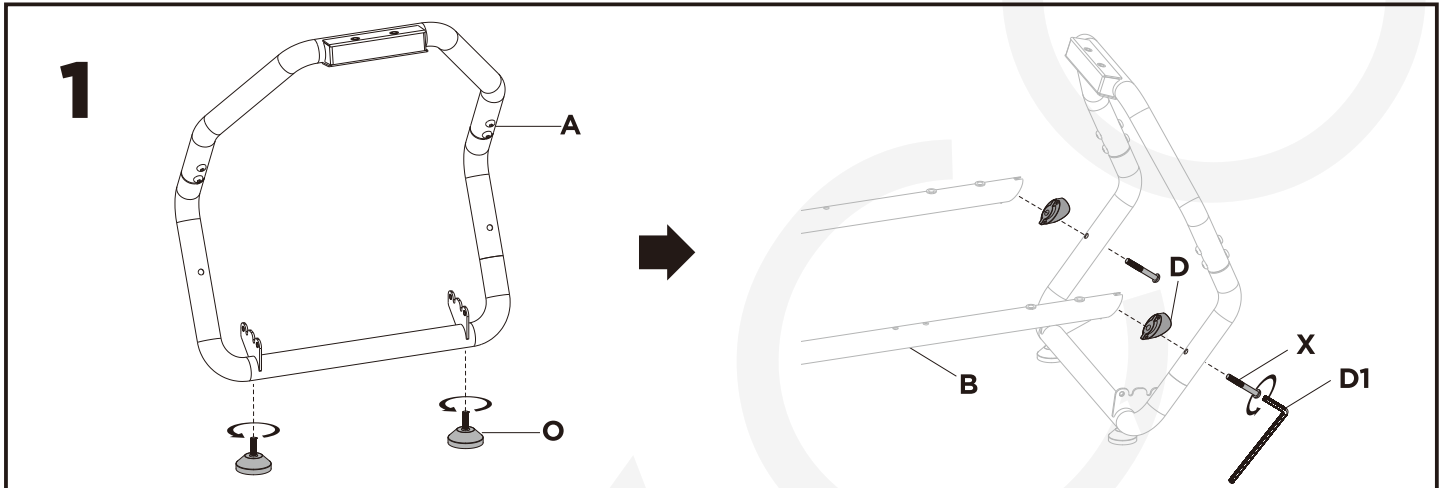
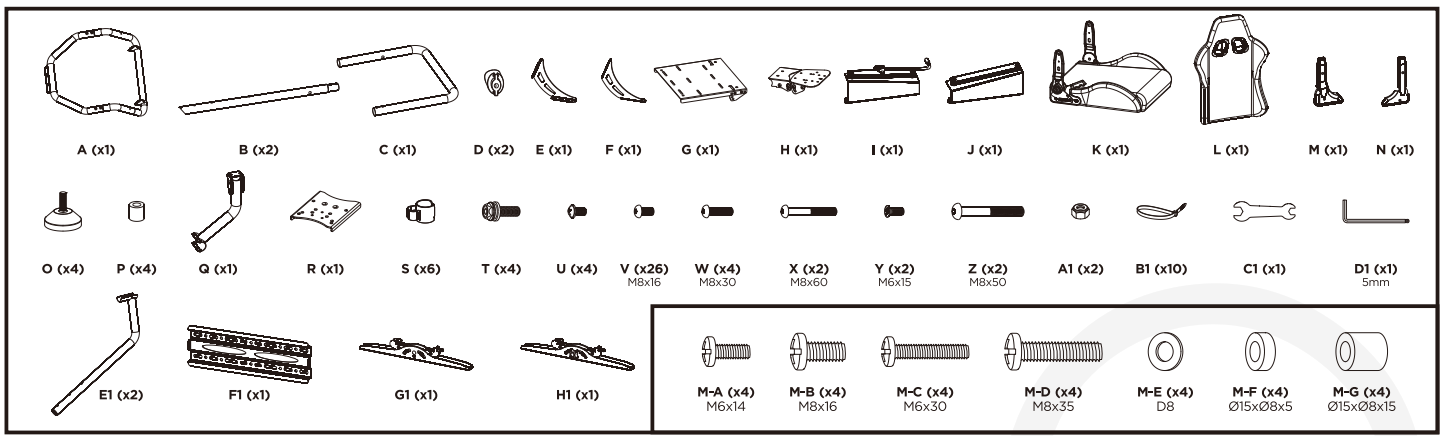
• Use the mounting screws provided and DO NOT OVER TIGHTEN mounting screws.

• This product contains small items that could be a choking hazard if swallowed. Keep these items away from children.

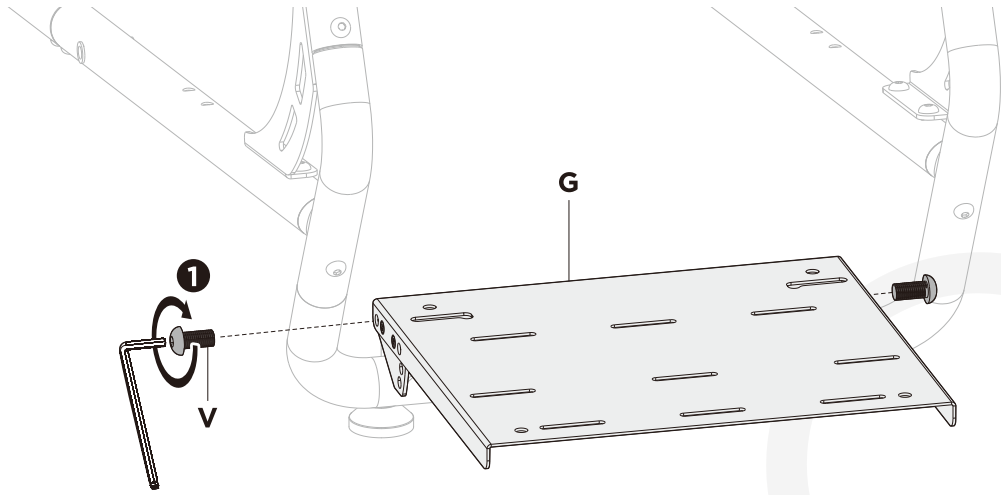
• This product is intended for indoor use only. Using this product outdoors could lead to product failure and personal injury.

**IMPORTANT:** Ensure that you have received all parts according to the component checklist prior to installation. If any parts are missing or faulty, telephone your local distributor for a replacement.

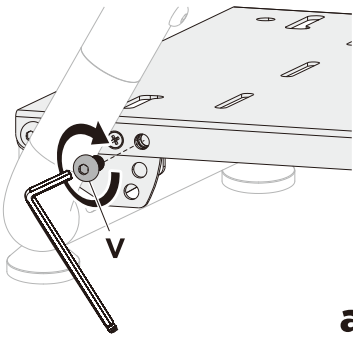
**MAINTENANCE:** Check that the bracket is secure and safe to use at regular intervals (at least every three months).



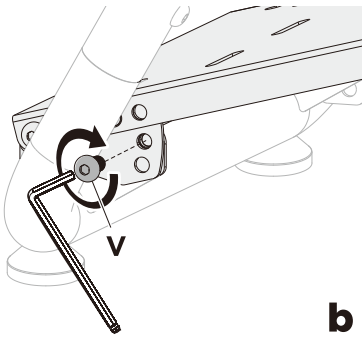
**3**



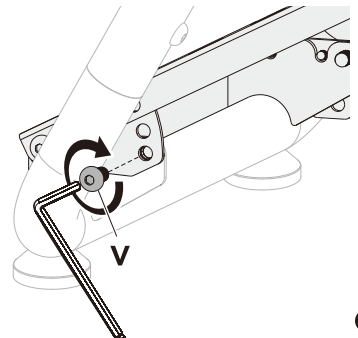
**2 PEDAL MOUNT:TILT ADJUSTMENT**



**a**



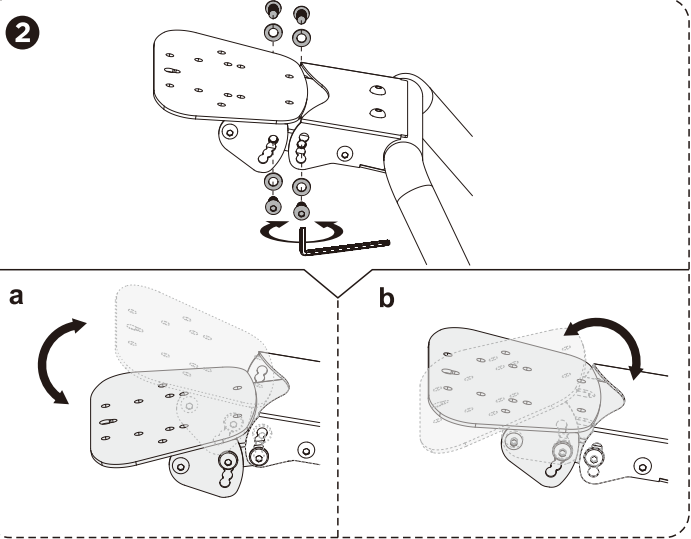
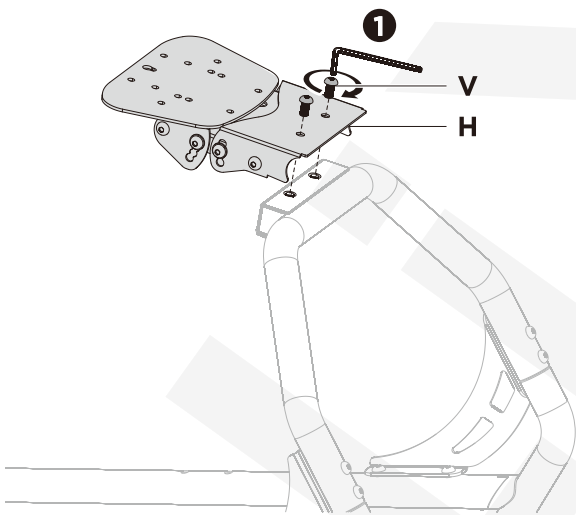
**b**



**c**

**4**

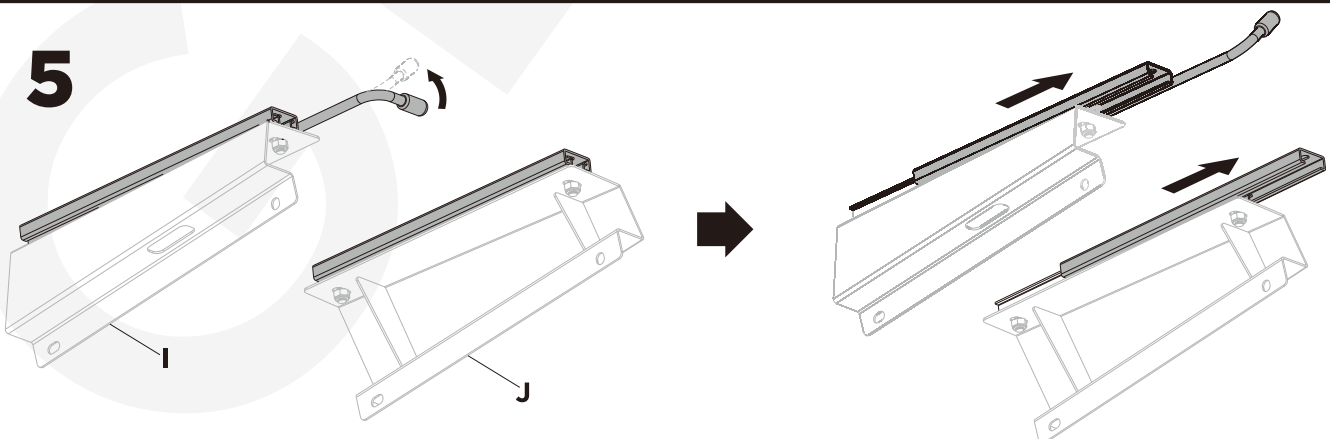
**STEERING WHEEL MOUNT:TILT ADJUSTMENT**



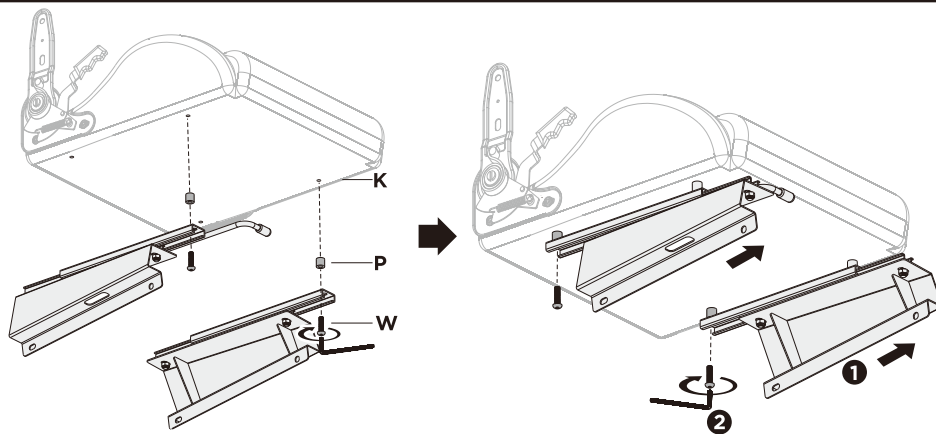
**a**

**b**

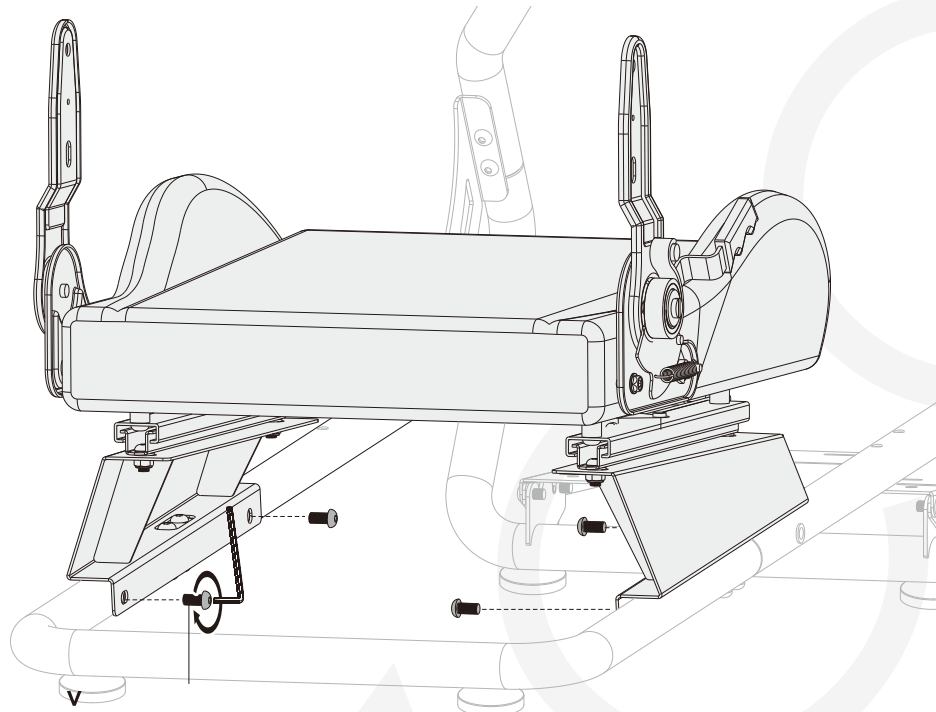
**5**



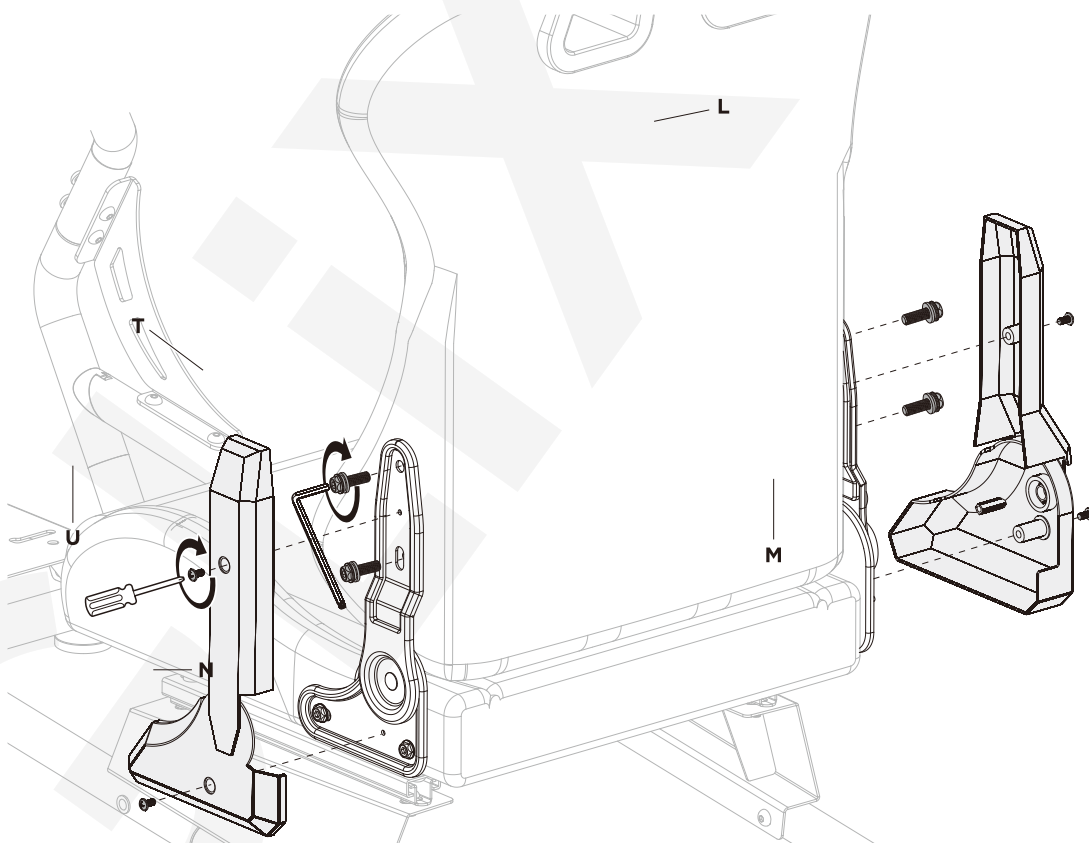
6



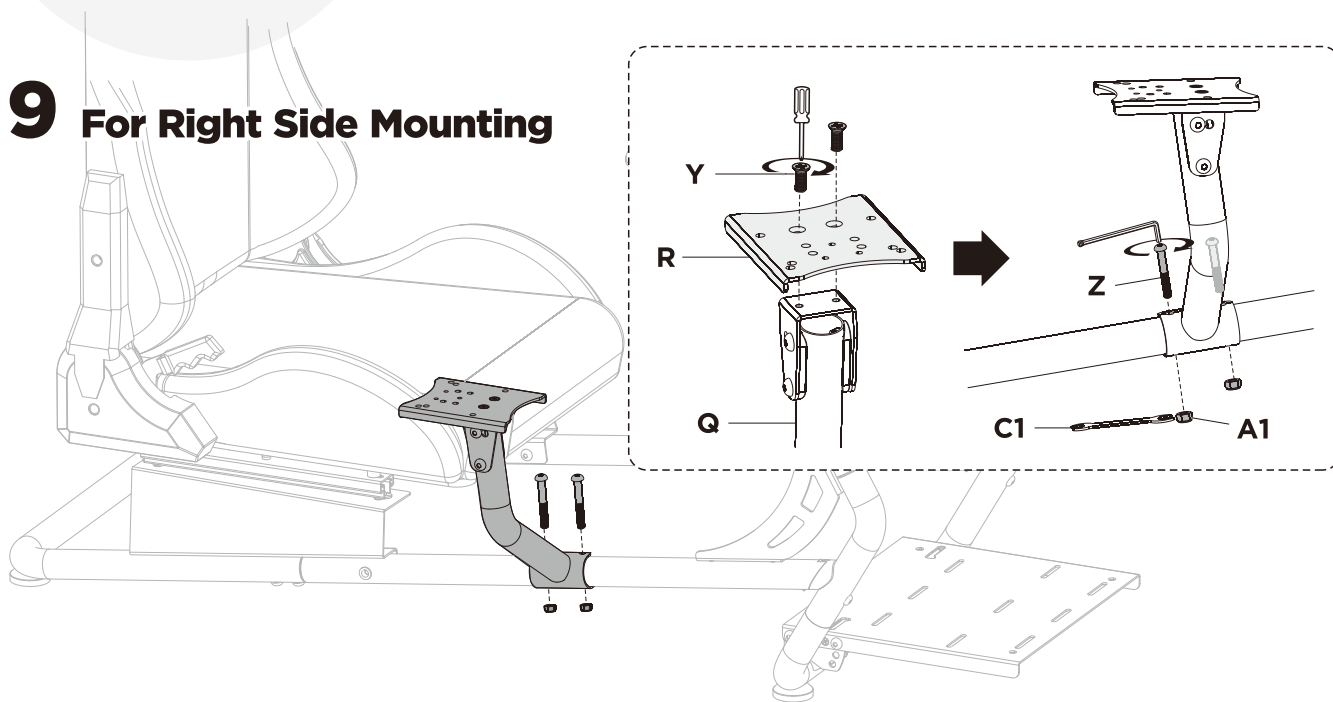
7



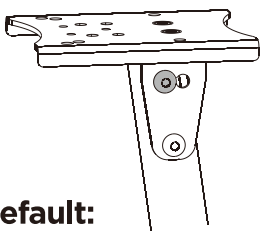
8



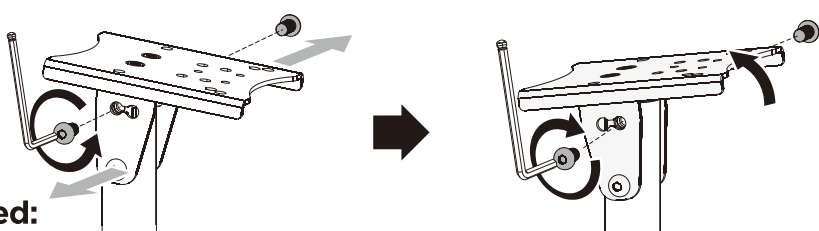
### 9 For Right Side Mounting



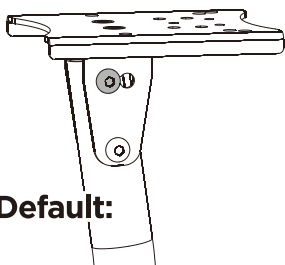
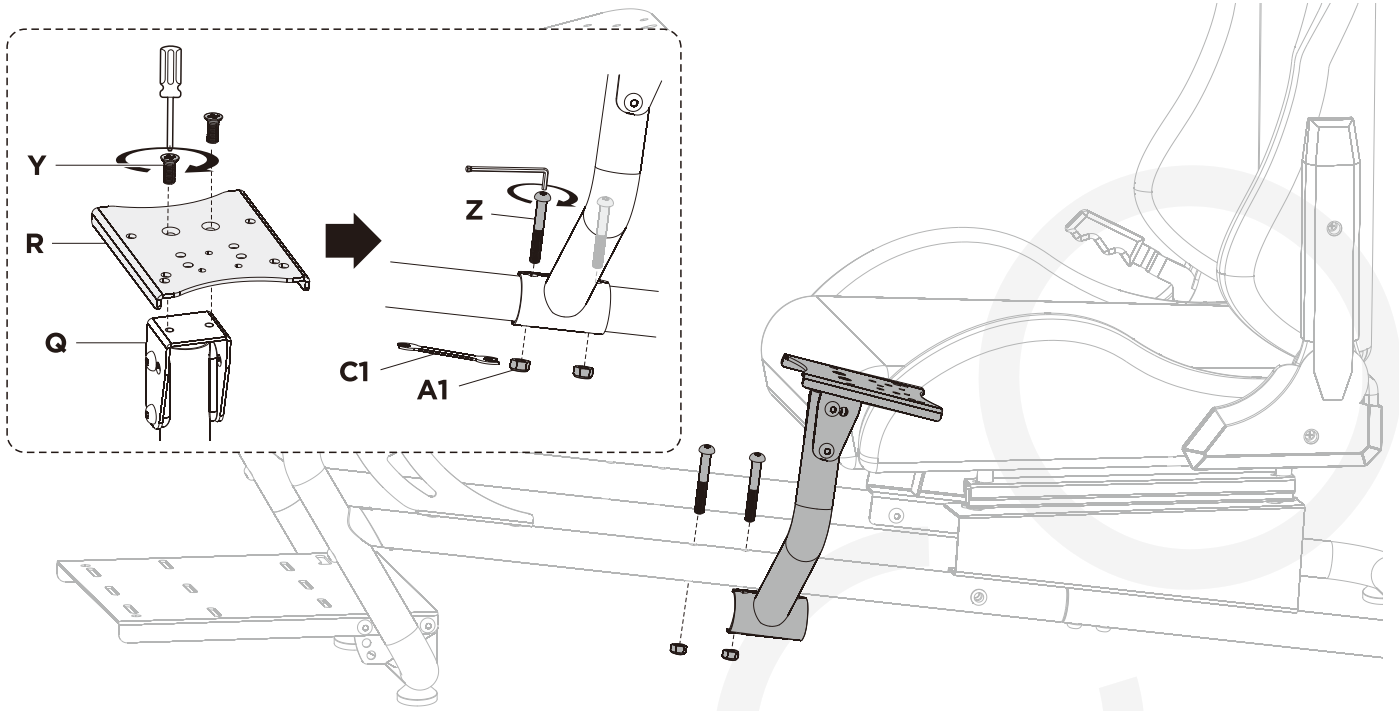
a. Default:



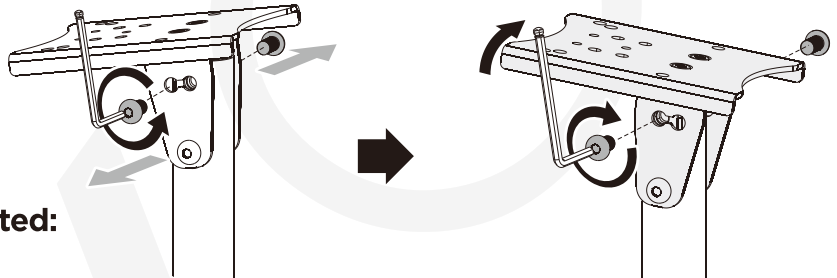
b. Tilted:



## For Left Side Mounting



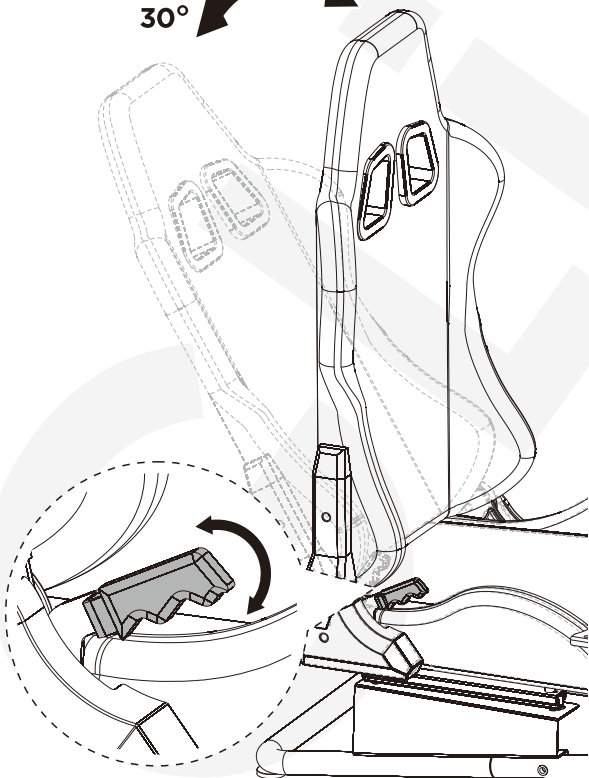
a. Default:



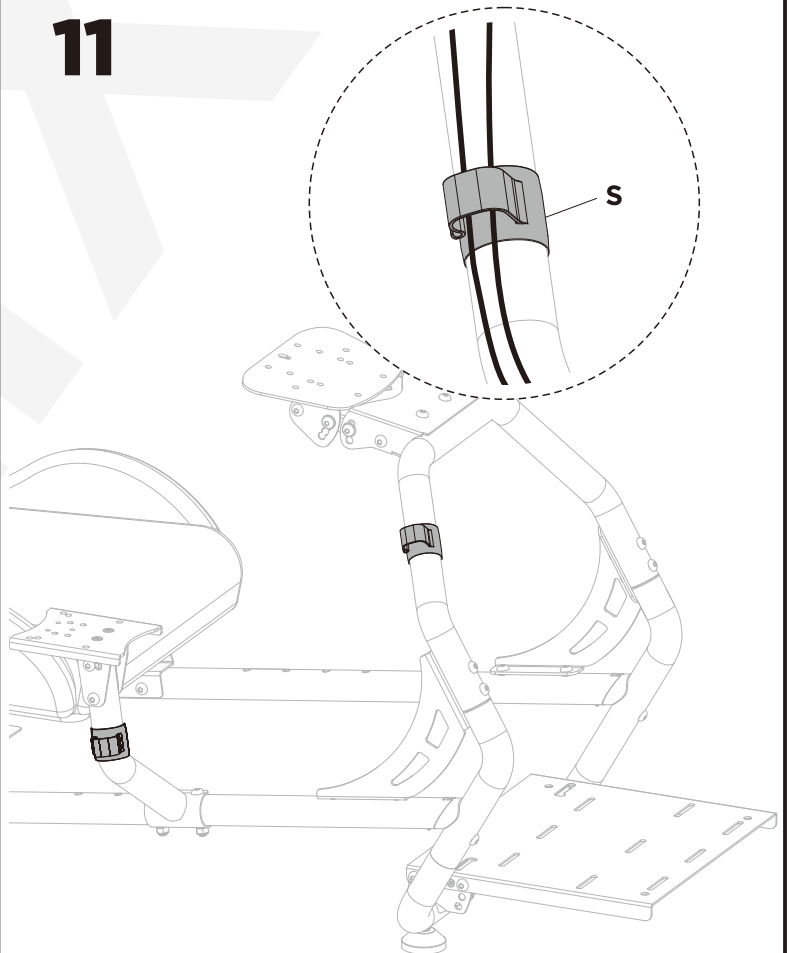
b. Tilted:

# 10

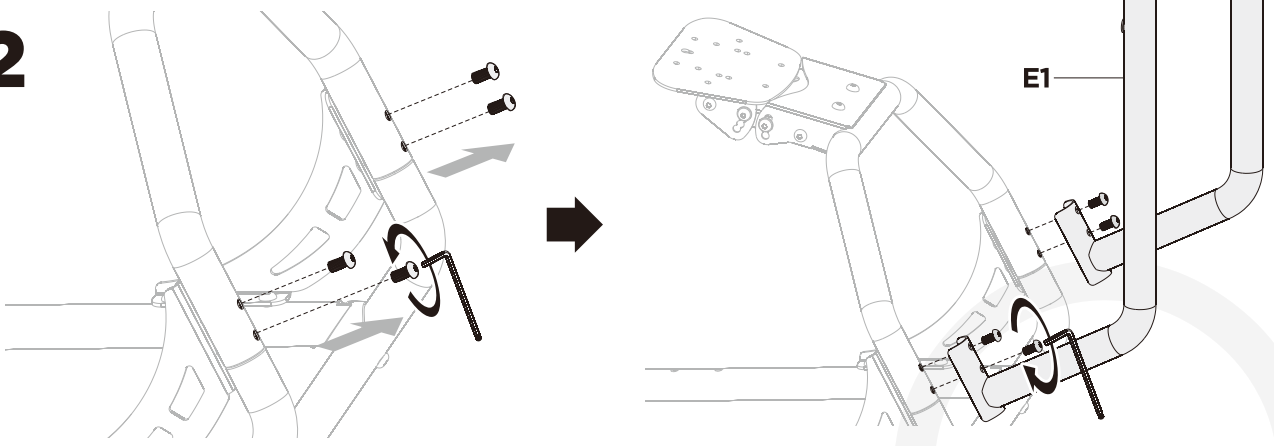
30° 90°



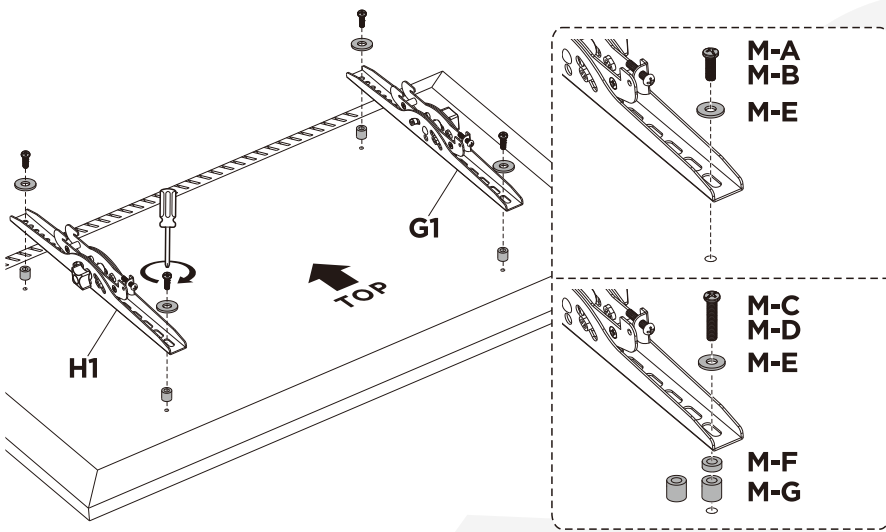
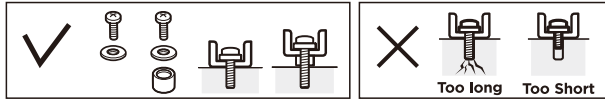
# 11



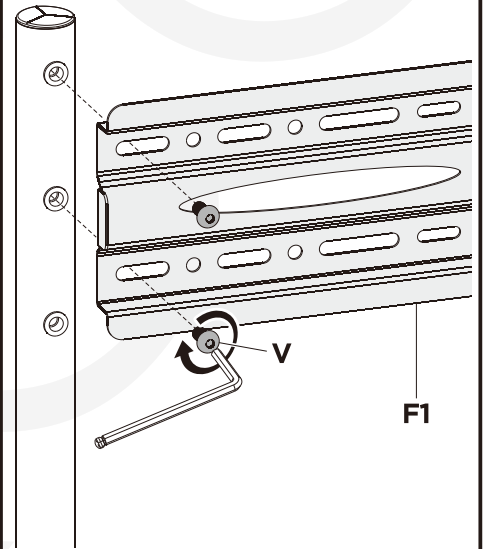
# 12



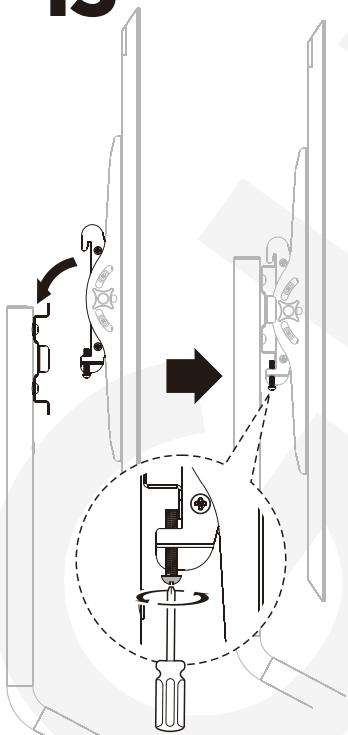
# 13



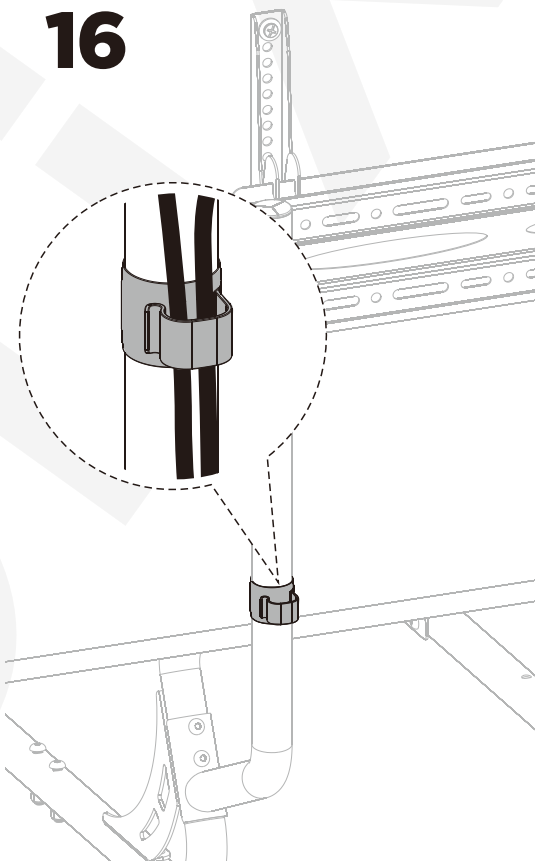
# 14



# 15



# 16



# 17

