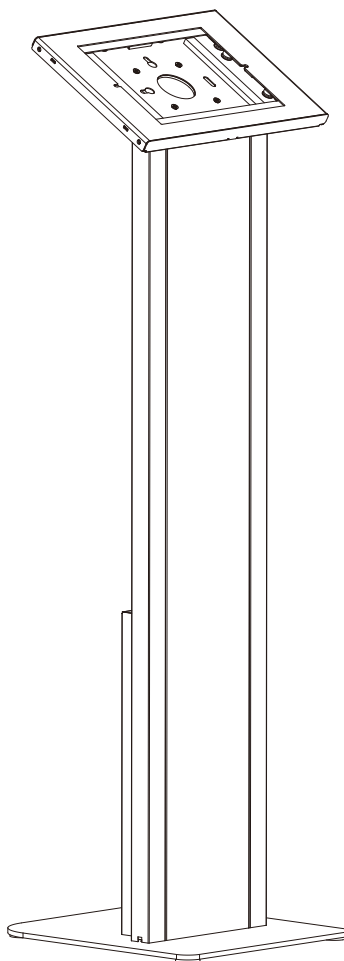




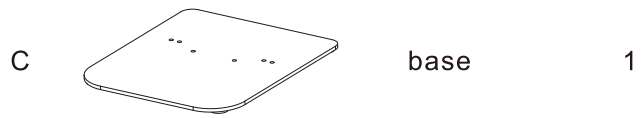
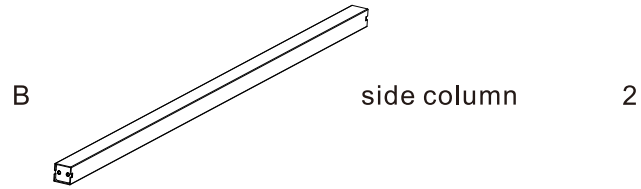
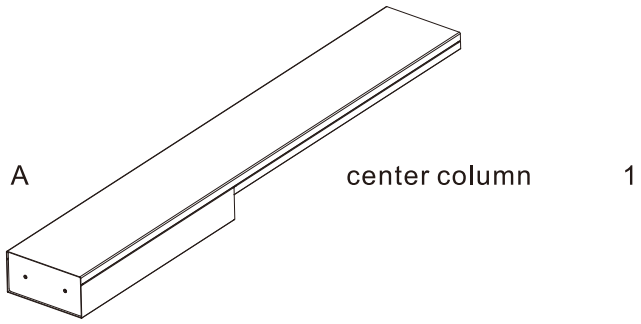
MANUAL DE INSTALACIÓN



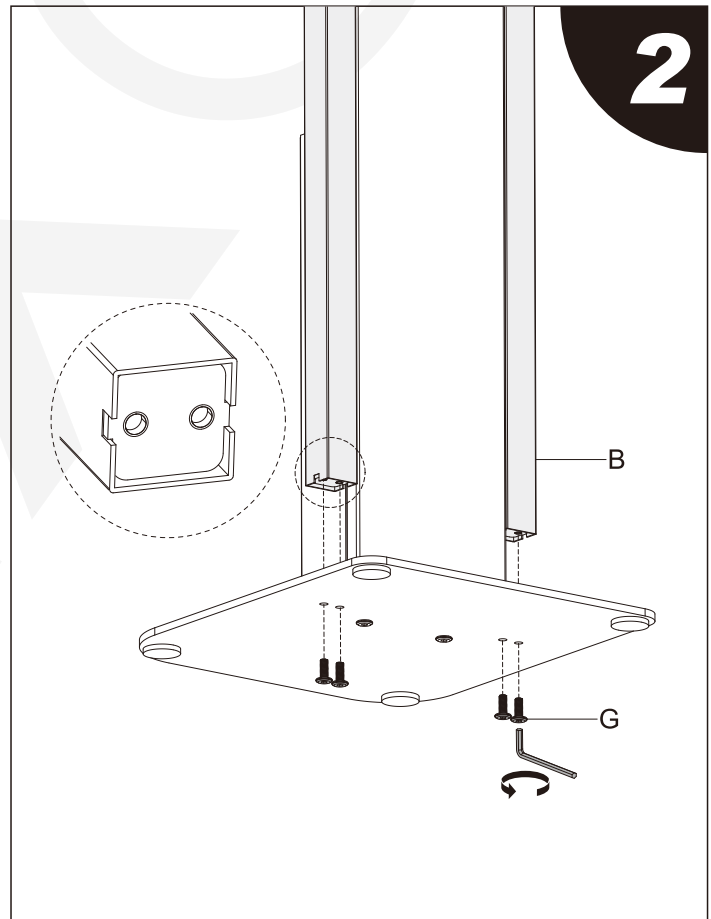
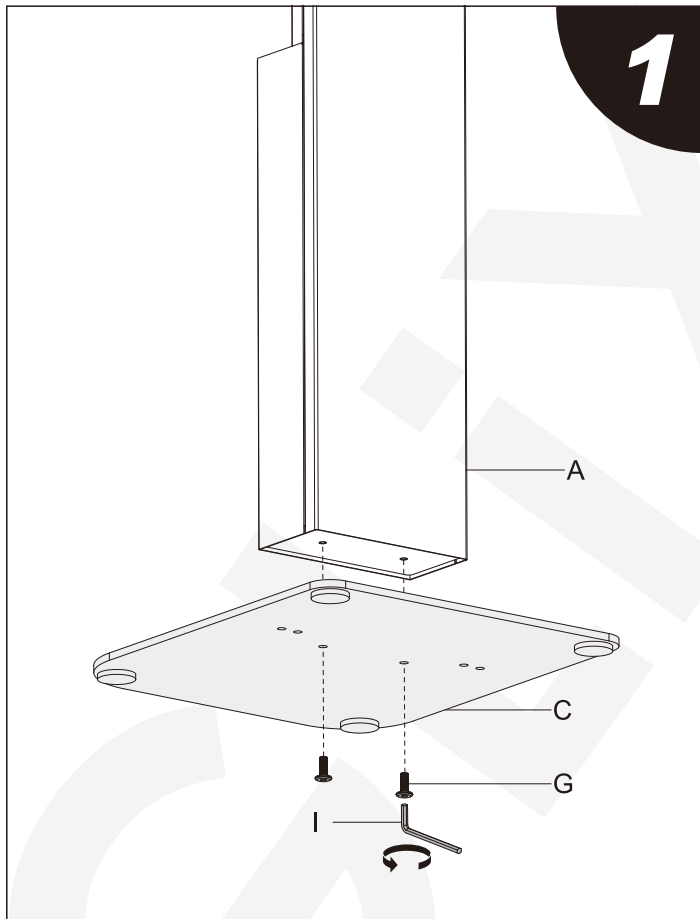
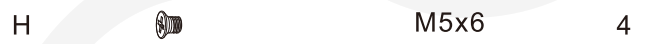
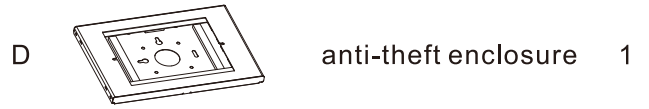
SKU: PAD3202

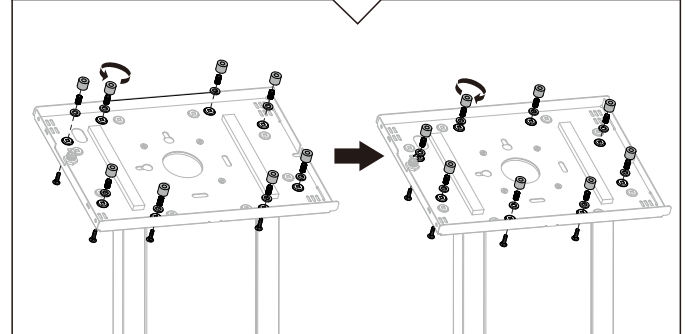
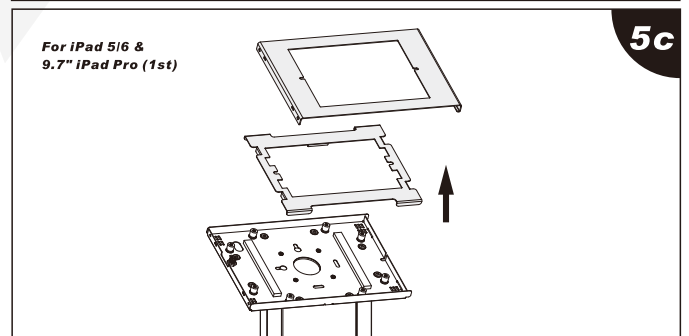
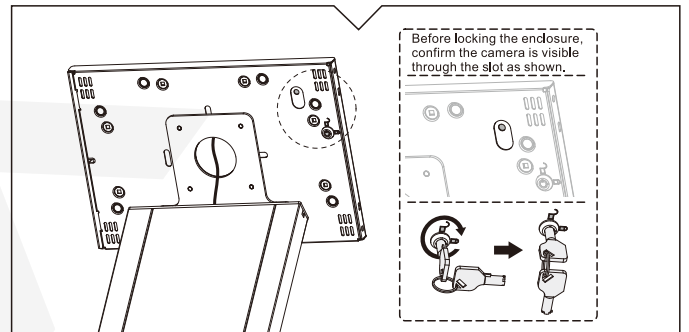
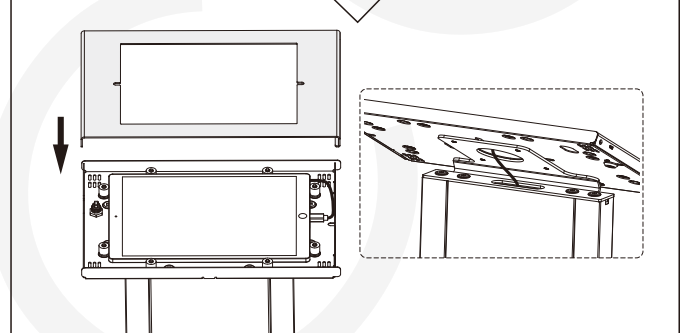
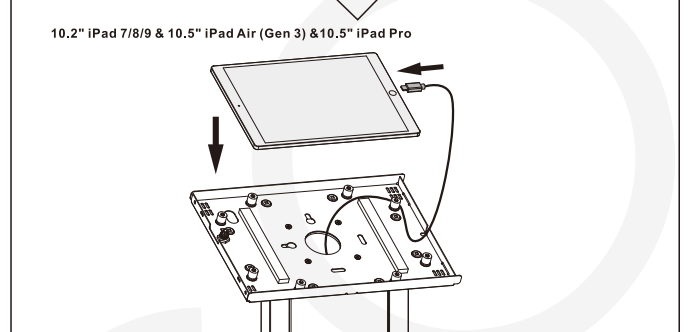
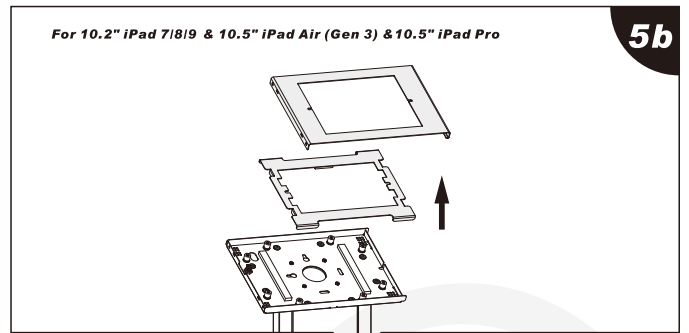
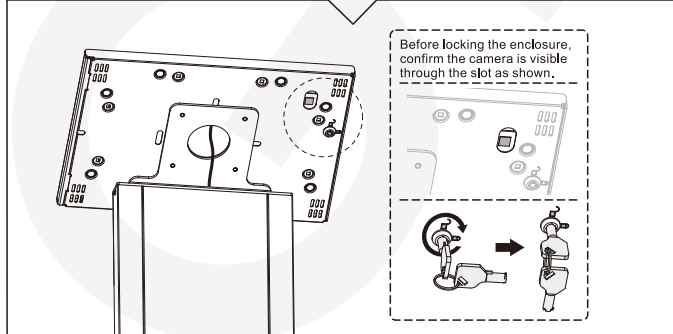
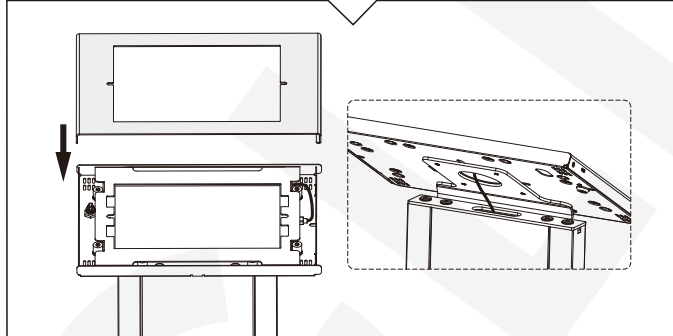
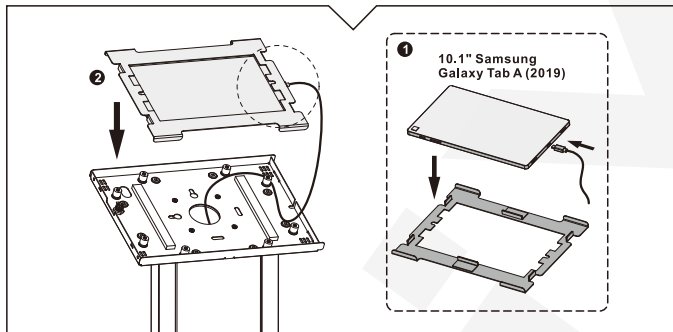
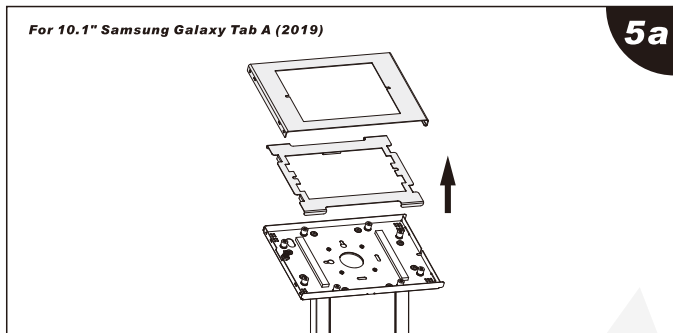
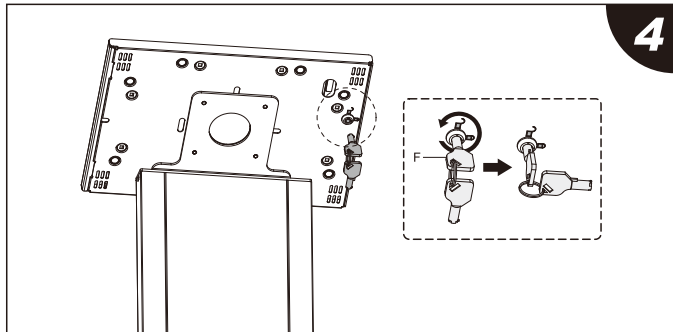
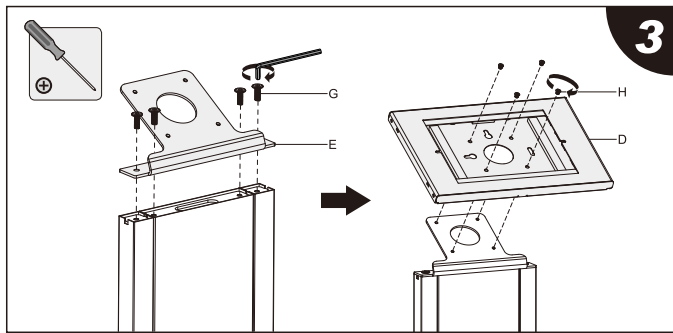
- EN**  Read the entire instruction manual before you start installation and assembly. If you have any questions regarding any of the instructions or warnings, please contact your local distributor for assistance.
-  **CAUTION:** Use with products heavier than the rated weights indicated may result in instability causing possible injury.
- Mounts must be attached as specified in assembly instructions. Improper installation may result in damage or serious personal injury.
 - Safety gear and proper tools must be used. This product should only be installed by professionals.
 - Make sure that the supporting surface will safely support the combined weight of the equipment and all attached hardware and components.
 - Use the mounting screws provided and DO NOT OVER TIGHTEN mounting screws.
 - This product contains small items that could be a choking hazard if swallowed. Keep these items away from children.
 - This product is intended for indoor use only. Using this product outdoors could lead to product failure and personal injury.
- IMPORTANT:** Ensure that you have received all parts according to the component checklist prior to installation. If any parts are missing or faulty, telephone your local distributor for a replacement.
- MAINTENANCE:** Check that the bracket is secure and safe to use at regular intervals (at least every three months).

PART NO. DESCRIPTION QUANTITY

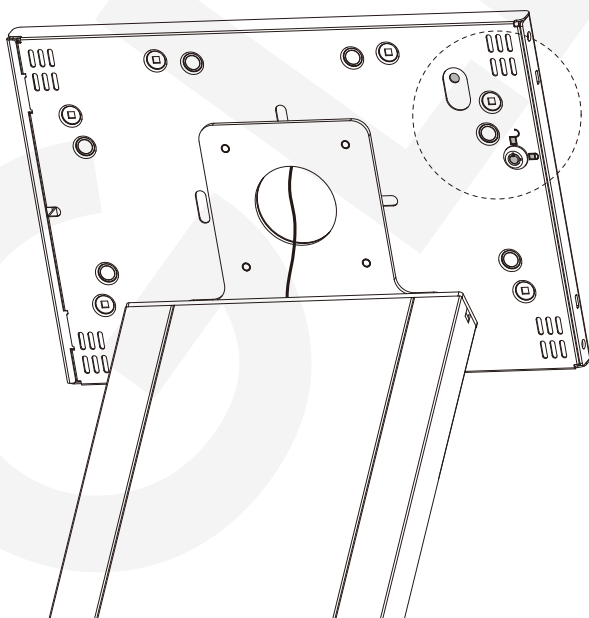
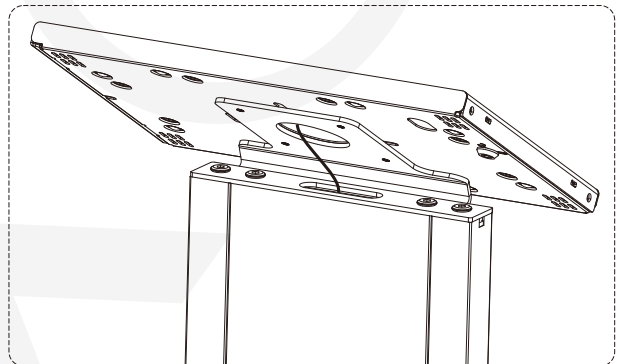
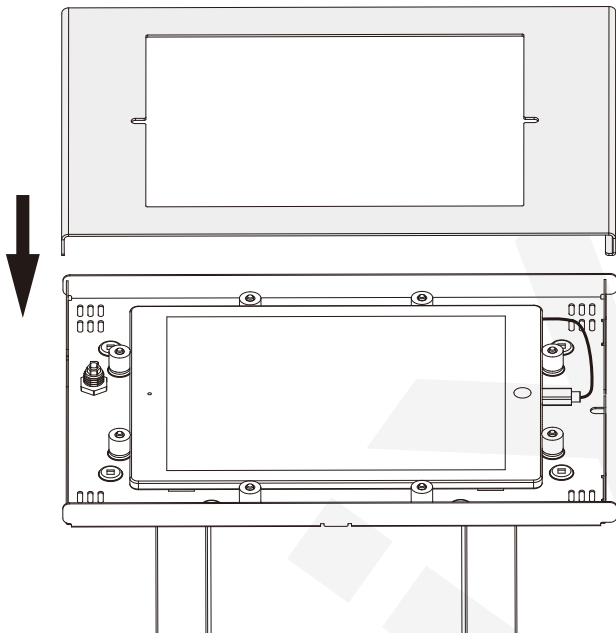
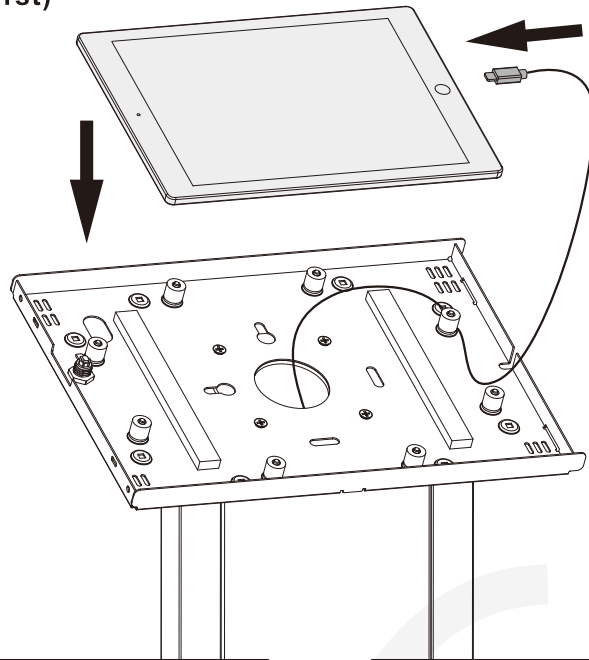


PART NO. DESCRIPTION QUANTITY

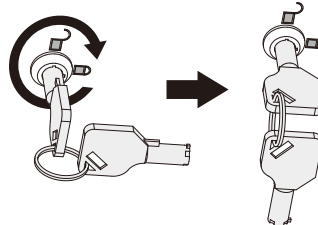
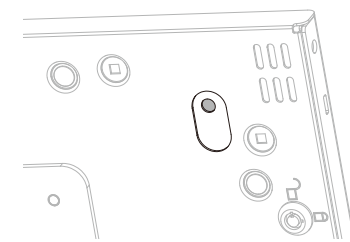




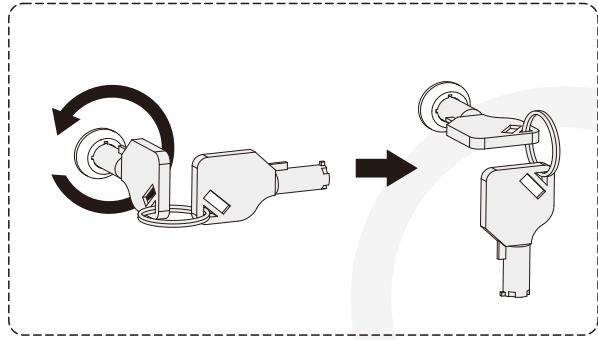
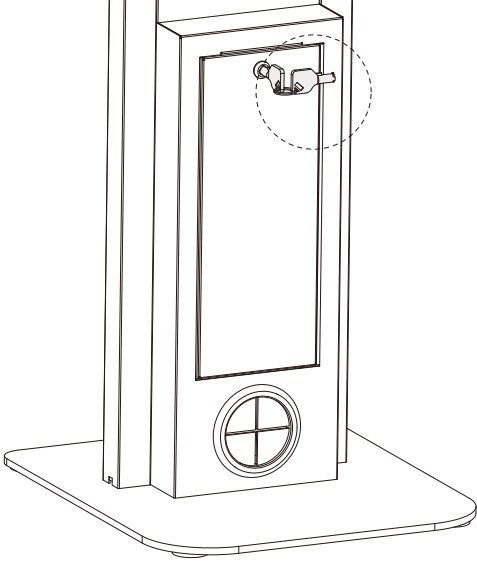
iPad 5/6 & 9.7" iPad Pro (1st)



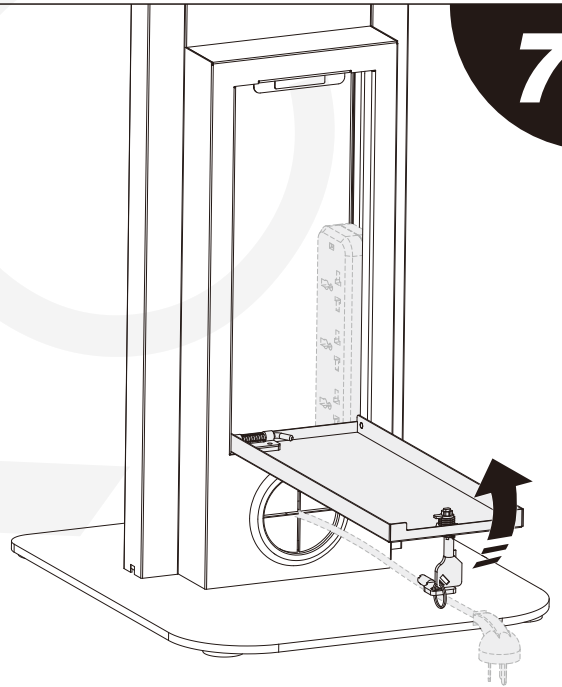
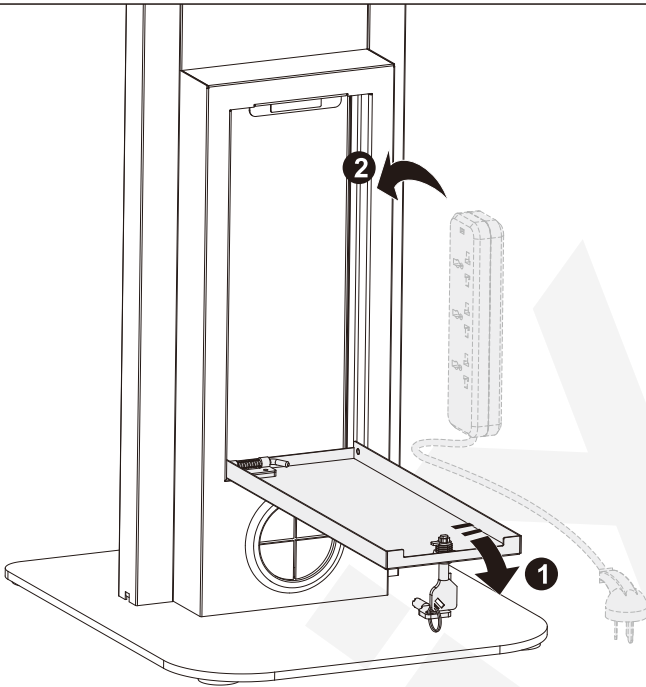
Before locking the enclosure, confirm the camera is visible through the slot as shown.



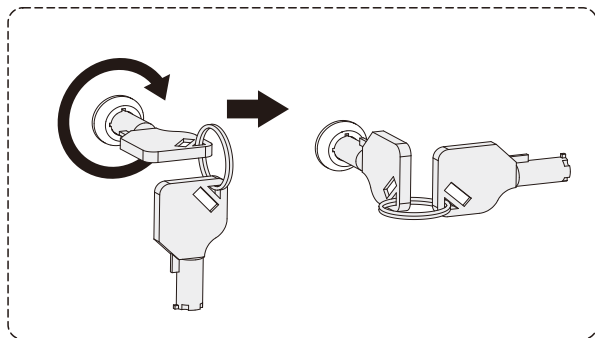
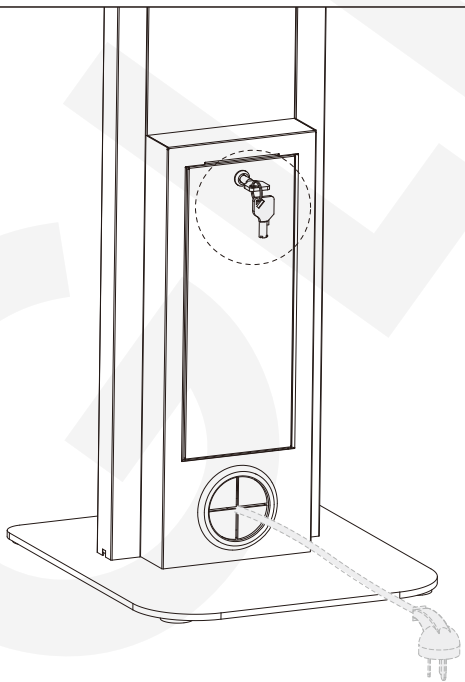
6

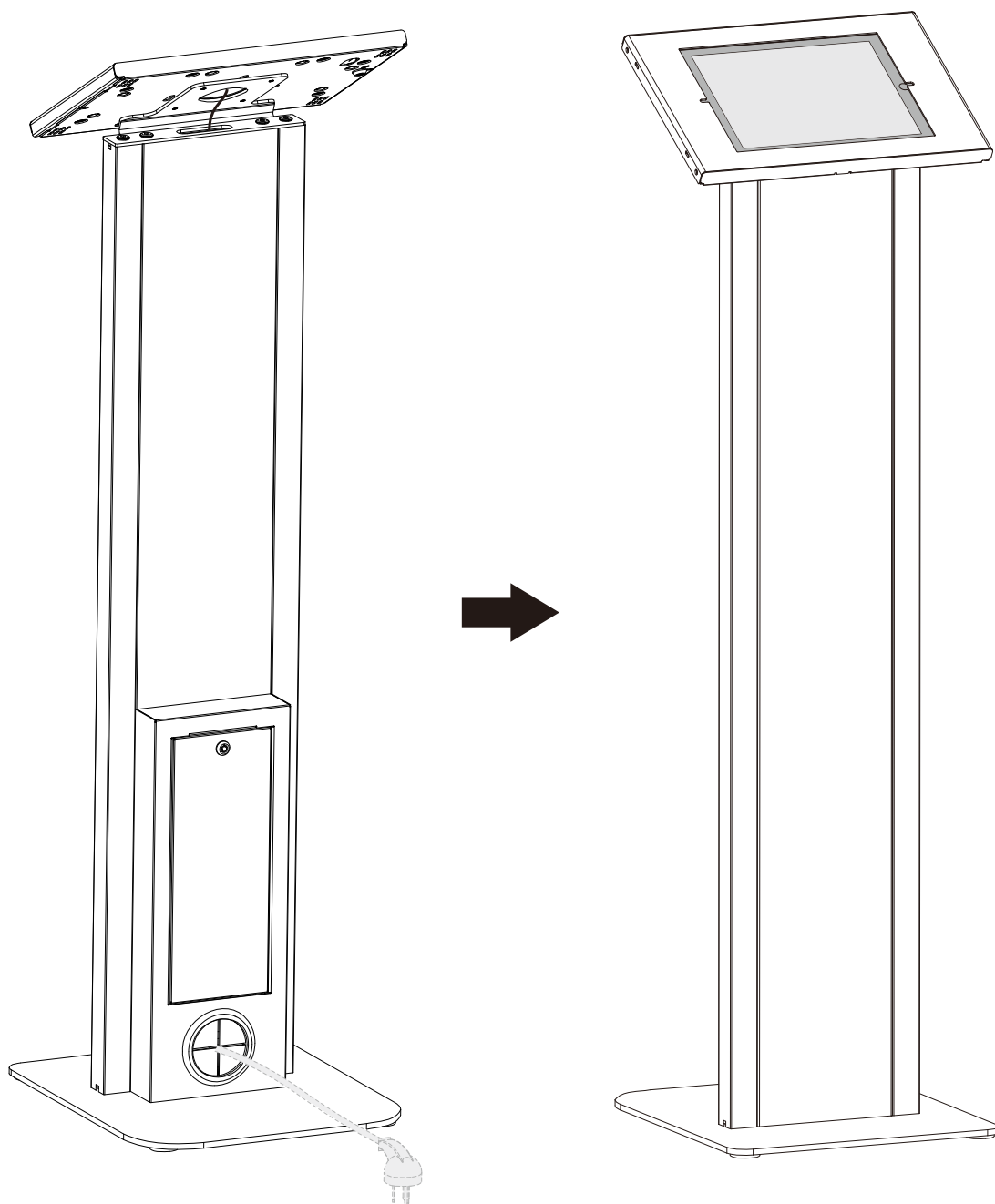


7



8





Pictures of iPad / iPad Pro/ iPad Air / Samsung Galaxy Tab A (2019) are for illustration purpose only.
The iPad / iPad Pro/ iPad Air / Samsung Galaxy Tab A (2019) are not included.