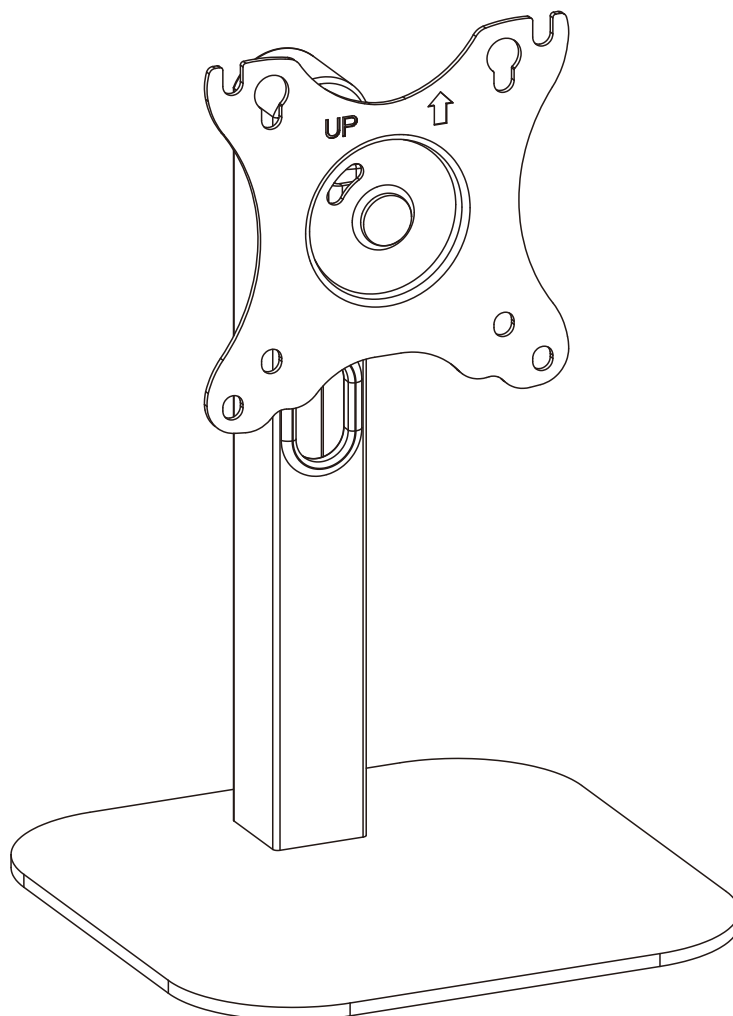


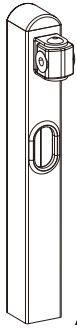


# MANUAL DE INSTALACIÓN

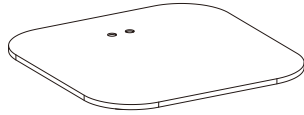


**SKU: M79T01**

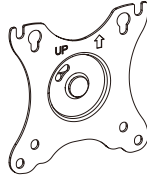
- EN**  Read the entire instruction manual before you start installation and assembly. If you have any questions regarding any of the instructions or warnings, please contact your local distributor for assistance.
-  **CAUTION:** Use with products heavier than the rated weights indicated may result in instability causing possible injury.
- Mounts must be attached as specified in assembly instructions. Improper installation may result in damage or serious personal injury.
  - Safety gear and proper tools must be used. This product should only be installed by professionals.
  - Make sure that the supporting surface will safely support the combined weight of the equipment and all attached hardware and components.
  - Use the mounting screws provided and DO NOT OVER TIGHTEN mounting screws.
  - This product contains small items that could be a choking hazard if swallowed. Keep these items away from children.
  - This product is intended for indoor use only. Using this product outdoors could lead to product failure and personal injury.
- IMPORTANT:** Ensure that you have received all parts according to the component checklist prior to installation. If any parts are missing or faulty, telephone your local distributor for a replacement.
- MAINTENANCE:** Check that the bracket is secure and safe to use at regular intervals (at least every three months).



**A (x1)**



**B (x1)**



**C (x1)**



**D (x2)**  
M6x16



**E (x1)**  
M6x30



**F (x1)**  
4mm



**M-A (x4)**  
M4x12

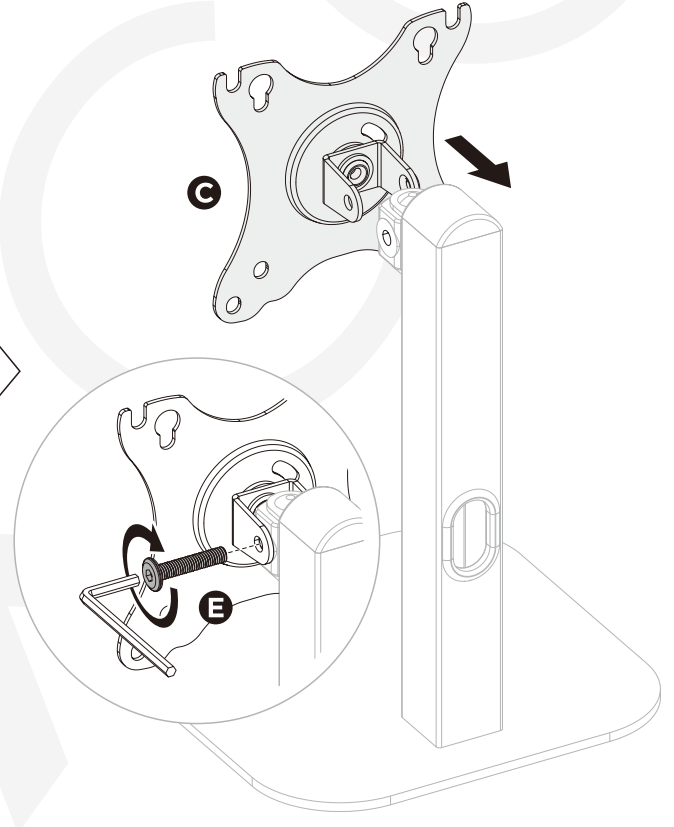
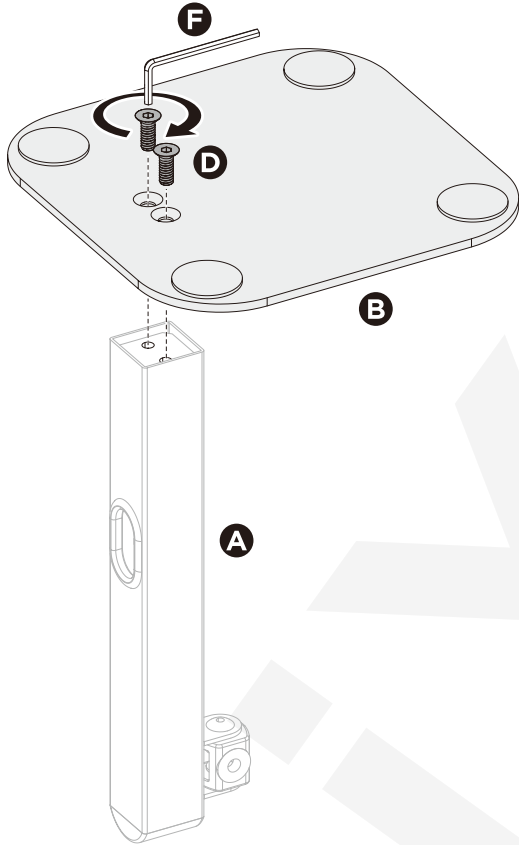


**M-B (x4)**  
M5x12

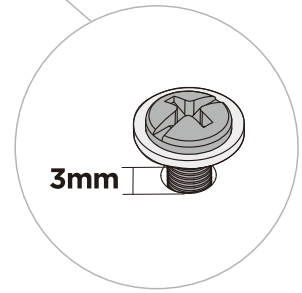
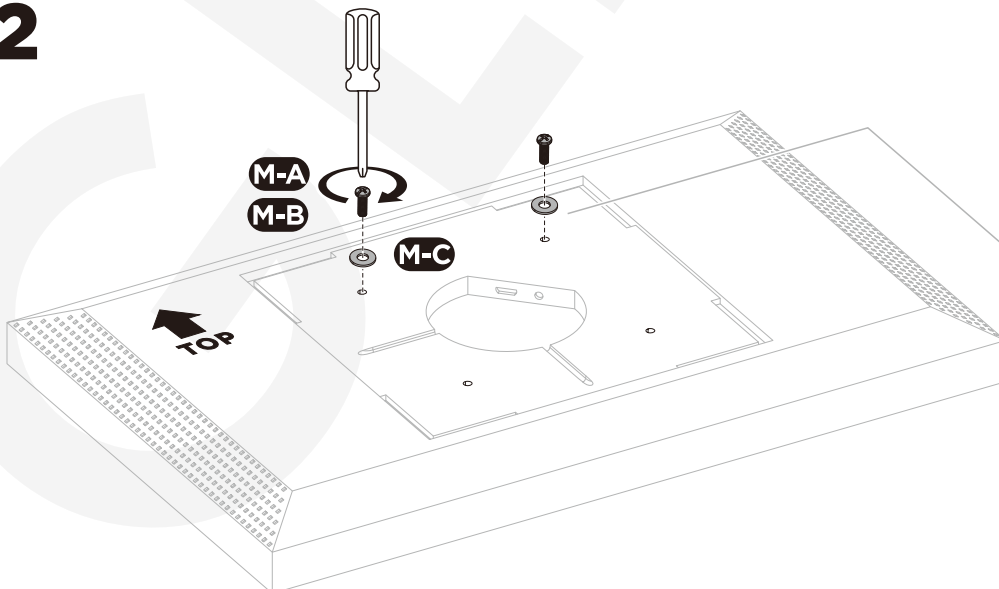


**M-C (x4)**  
D5

**1**

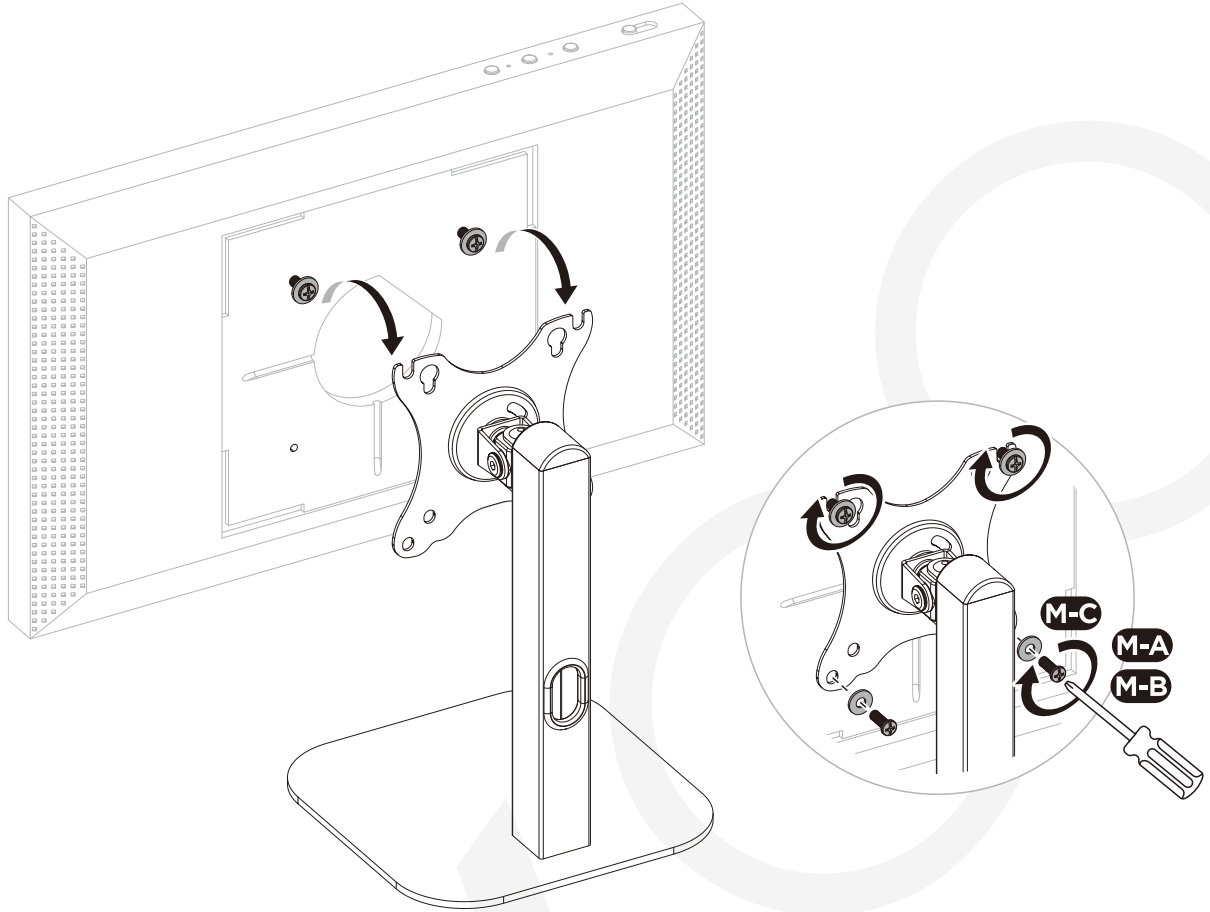


**2**

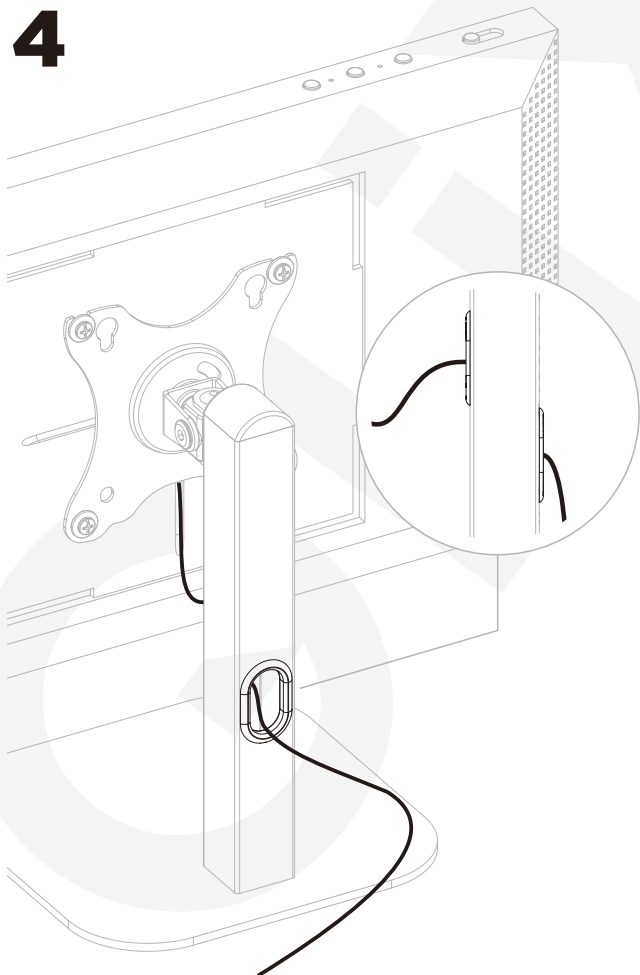


3mm

3



4



**Note:** If the tablet does not stop at your desired position, tighten the screws clockwise/ counterclockwise to balance the weight.

