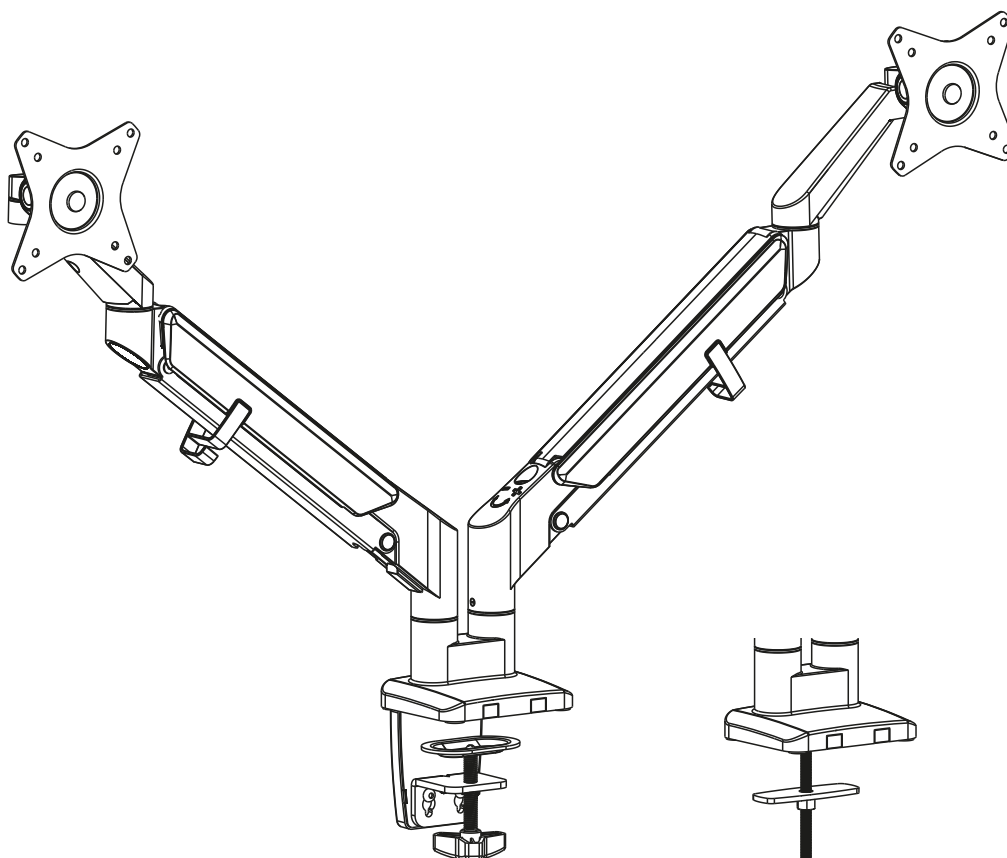



# MANUAL DE INSTALACIÓN



**SKU: M280U**

**EN**  Read the entire instruction manual before you start installation and assembly. If you have any questions regarding any of the instructions or warnings, please contact your local distributor for assistance.



**CAUTION:** Use with products heavier than the rated weights indicated may result in instability causing possible injury.

• Mounts must be attached as specified in assembly instructions. Improper installation may result in damage or serious personal injury.

• Safety gear and proper tools must be used. This product should only be installed by professionals.

• Make sure that the supporting surface will safely support the combined weight of the equipment and all attached hardware and components.

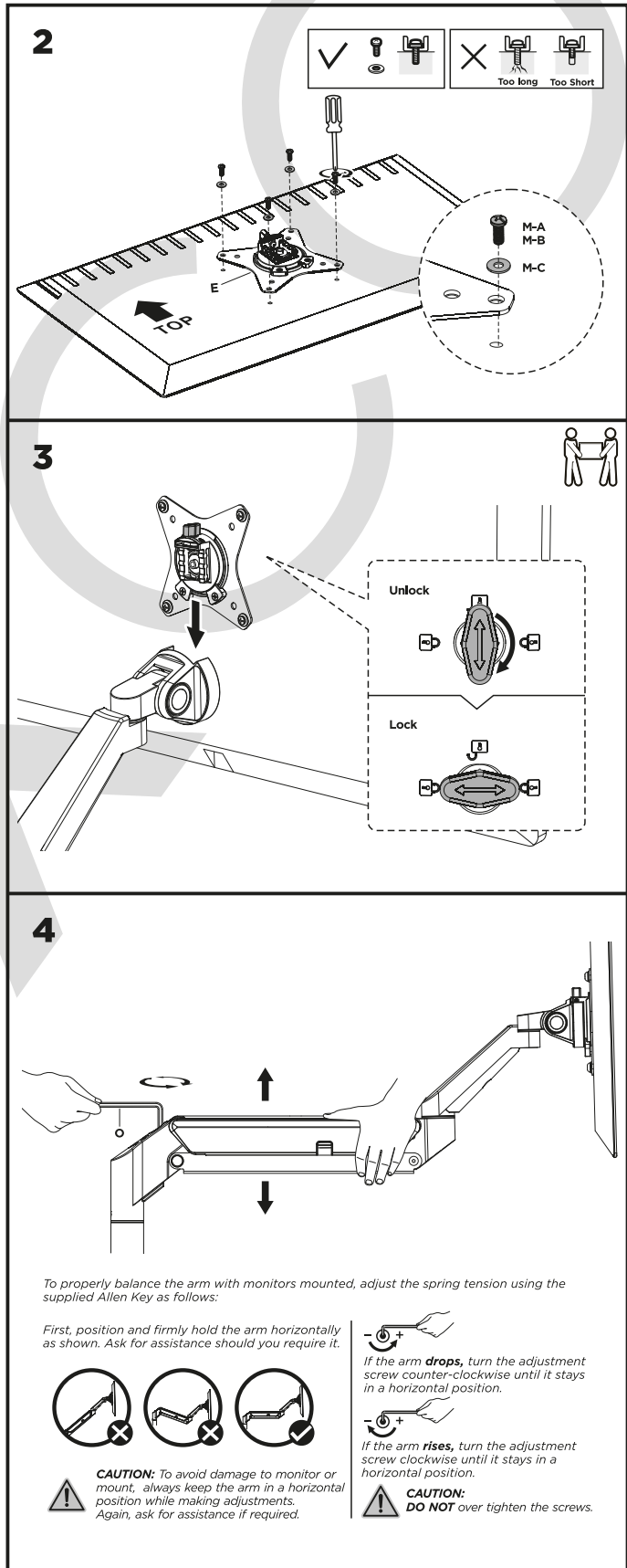
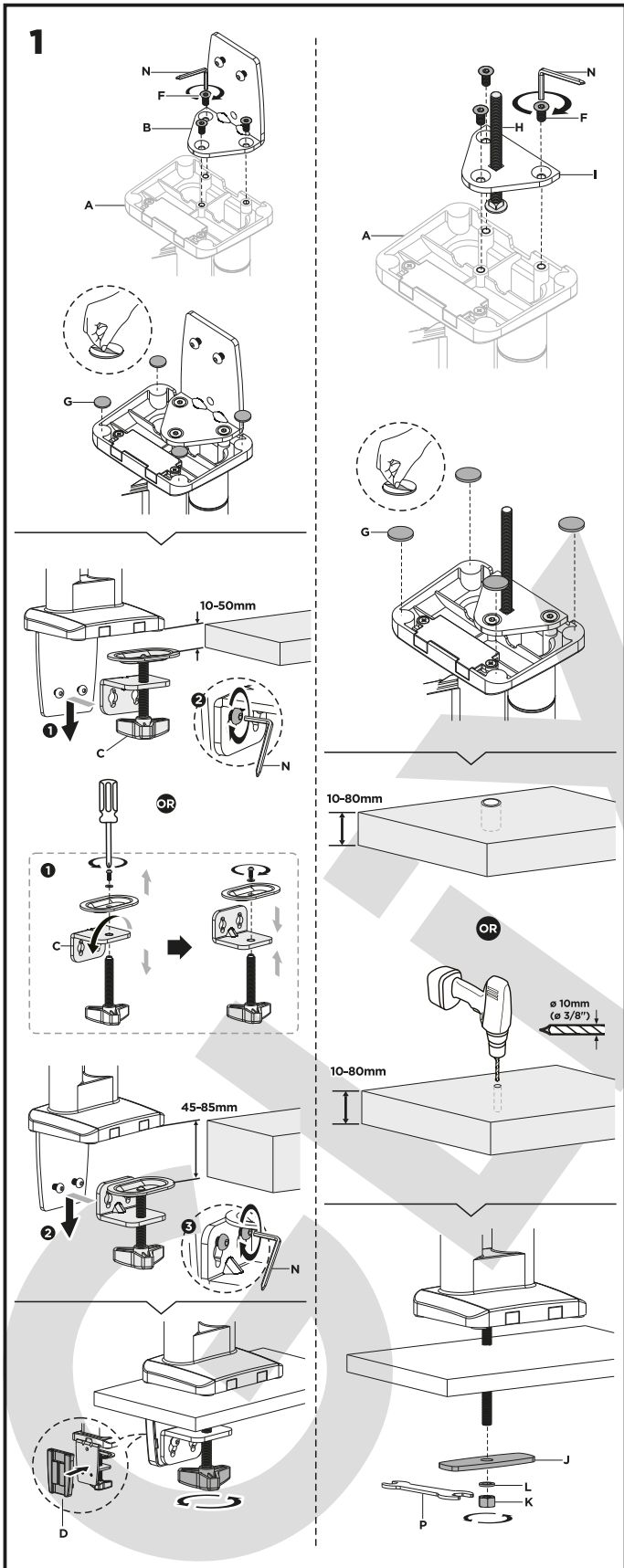
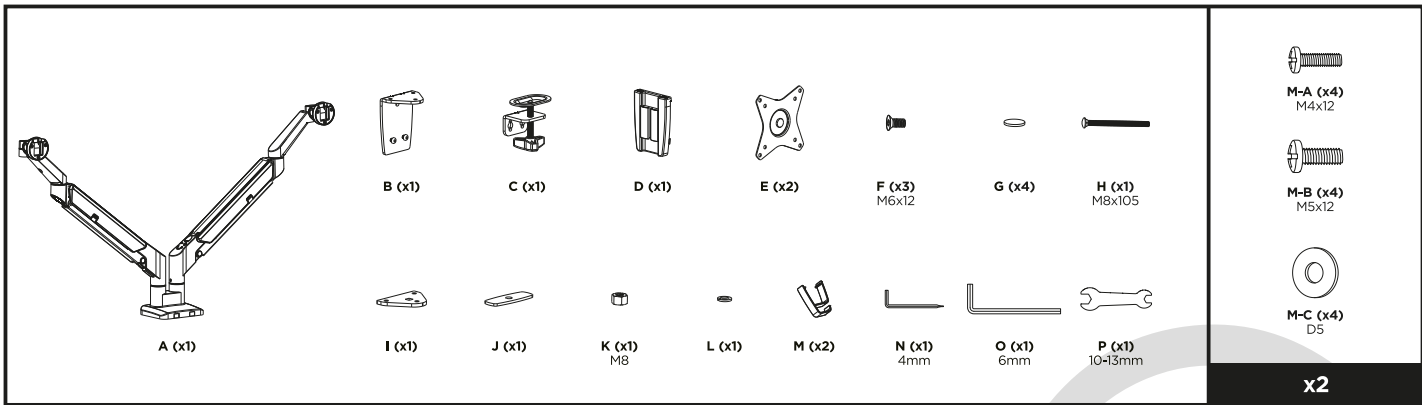
• Use the mounting screws provided and DO NOT OVER TIGHTEN mounting screws.

• This product contains small items that could be a choking hazard if swallowed. Keep these items away from children.

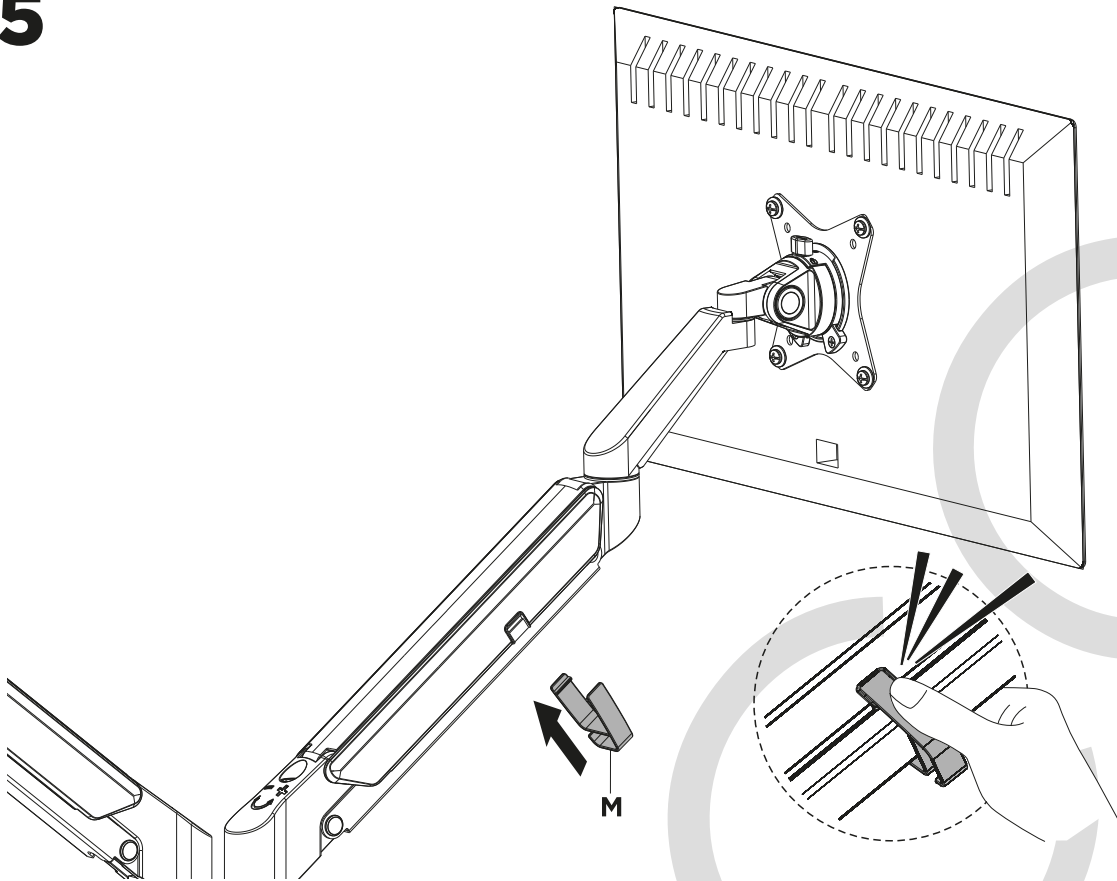
• This product is intended for indoor use only. Using this product outdoors could lead to product failure and personal injury.

**IMPORTANT:** Ensure that you have received all parts according to the component checklist prior to installation. If any parts are missing or faulty, telephone your local distributor for a replacement.

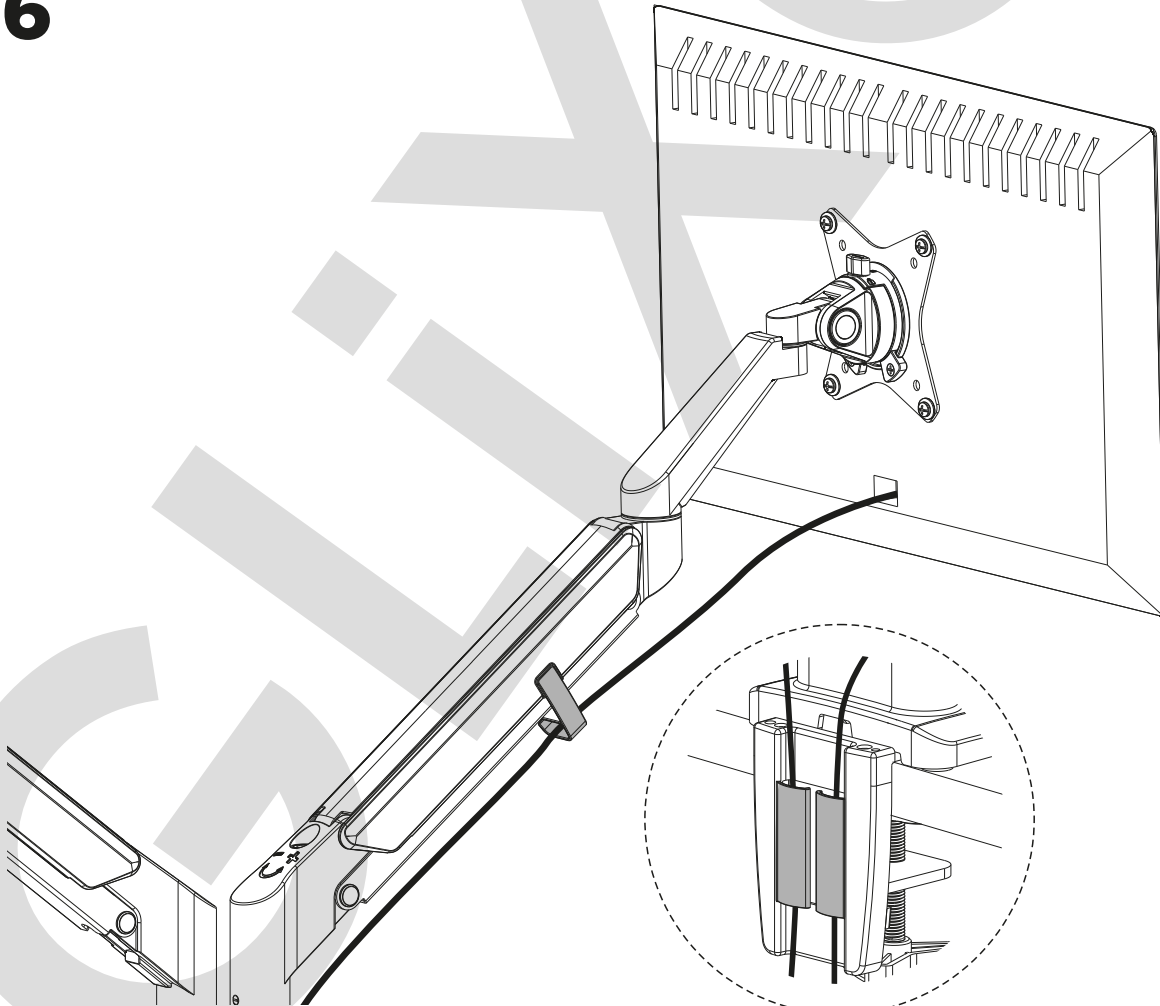
**MAINTENANCE:** Check that the bracket is secure and safe to use at regular intervals (at least every three months).



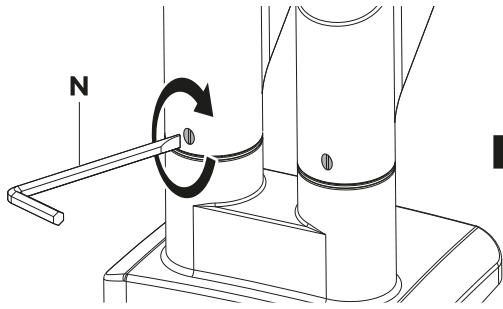
**5**



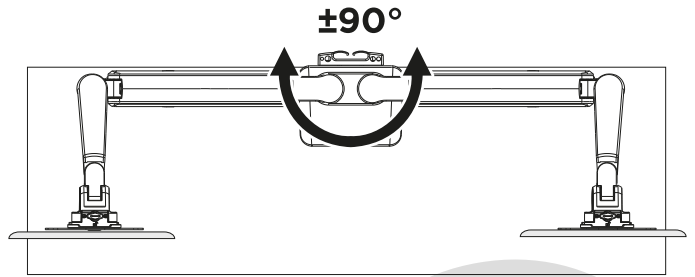
**6**



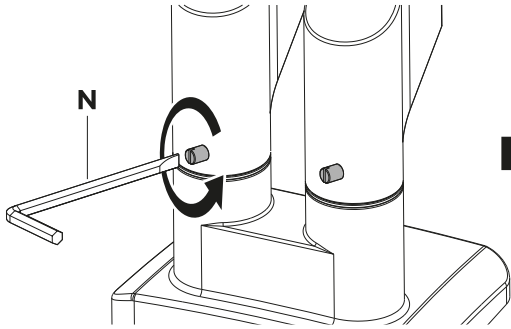
7



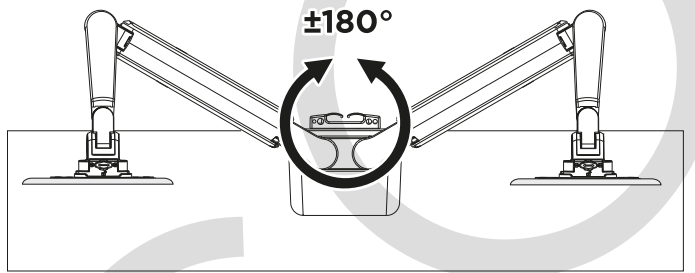
Tighten the limiting screw  
(do not over tighten).



Arm can rotate 180°.



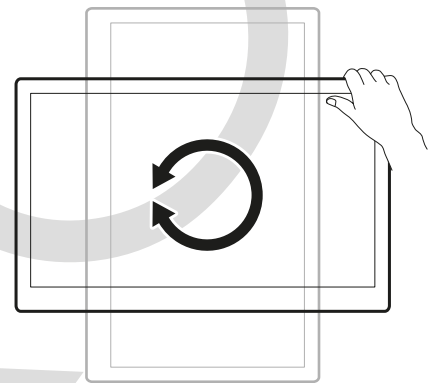
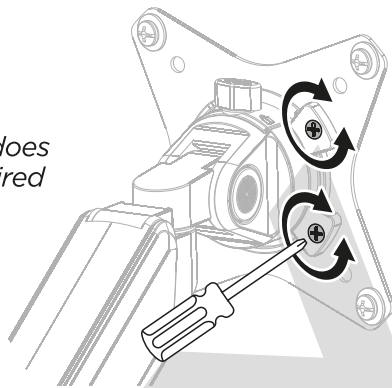
Remove or loosen the limiting screw.



Arm can rotate without stopping.

8

**Note:** If the display does not stop at your desired position, tighten the screws as shown.



**Note:** If the display does not stop at your desired position, tighten the screws as shown.

