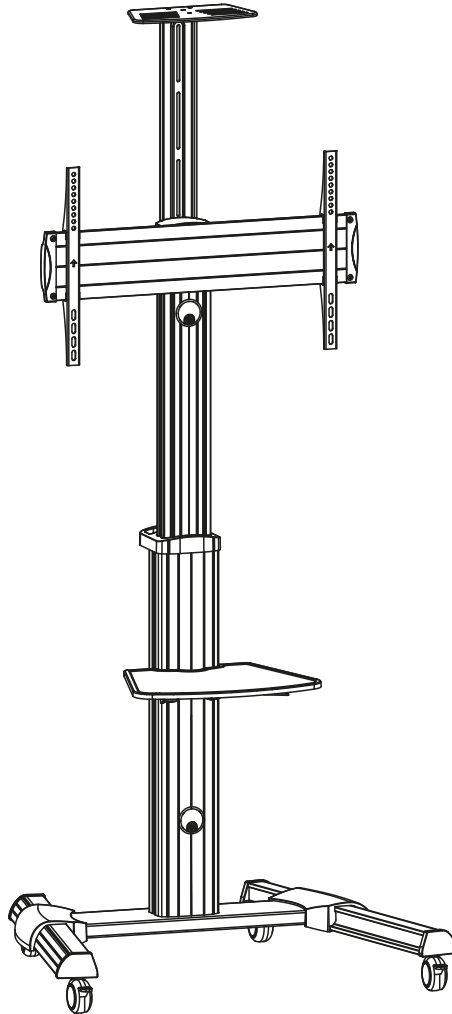



MANUAL DE INSTALACIÓN



SKU: CART0446AL

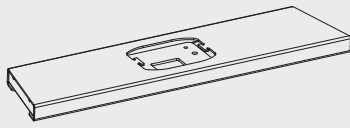
EN  Read the entire instruction manual before you start installation and assembly. If you have any questions regarding any of the instructions or warnings, please contact your local distributor for assistance.



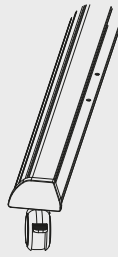
- CAUTION:** Use with products heavier than the rated weights indicated may result in instability causing possible injury.
- Mounts must be attached as specified in assembly instructions. Improper installation may result in damage or serious personal injury.
 - Safety gear and proper tools must be used. This product should only be installed by professionals.
 - Make sure that the supporting surface will safely support the combined weight of the equipment and all attached hardware and components.
 - Use the mounting screws provided and DO NOT OVER TIGHTEN mounting screws.
 - This product contains small items that could be a choking hazard if swallowed. Keep these items away from children.
 - This product is intended for indoor use only. Using this product outdoors could lead to product failure and personal injury.

IMPORTANT: Ensure that you have received all parts according to the component checklist prior to installation. If any parts are missing or faulty, telephone your local distributor for a replacement.

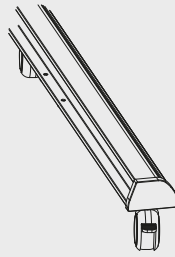
MAINTENANCE: Check that the bracket is secure and safe to use at regular intervals (at least every three months).



middle base (x1)
A



left leg (x1)
B



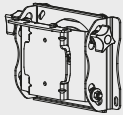
right leg (x1)
C



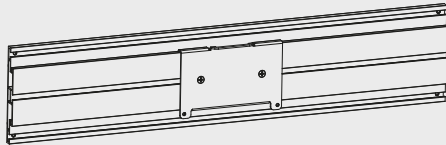
left cover (x1)
D



right cover (x1)
E



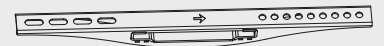
support plate (x1)
F



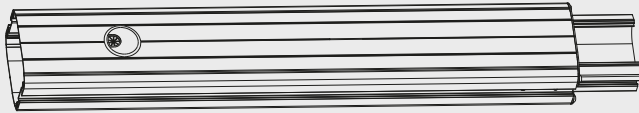
universal plate (x1)
G



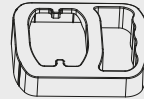
plastic cover (x2)
H



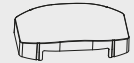
adapter bracket (x2)
I



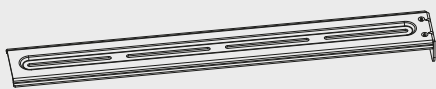
column (x1)
J



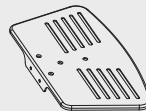
plastic handle (x1)
K



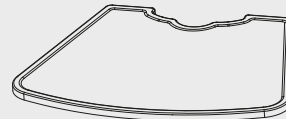
top cover (x1)
L



connecting plate (x1)
M



camera shelf (x1)
N



DVD shelf (x1)
O



washer (x4)
P



M6x16 (x8)
Q



M6x25 (x3)
R



M4x6 (x3)
S



M4x6 (x4)
T



M6x14 (x2)
U



M6x8 (x6)
V



M8x25 (x4)
W



M5x8 (x2)
X



Allen key (x1)
Y



wrench (x1)
Z

Package M



M5x14 (x4)
M-A



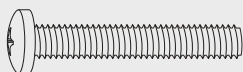
M6x14 (x4)
M-B



M6x30 (x4)
M-C



M8x30 (x4)
M-D



M8x50 (x4)
M-E



washer (x4)
M-F

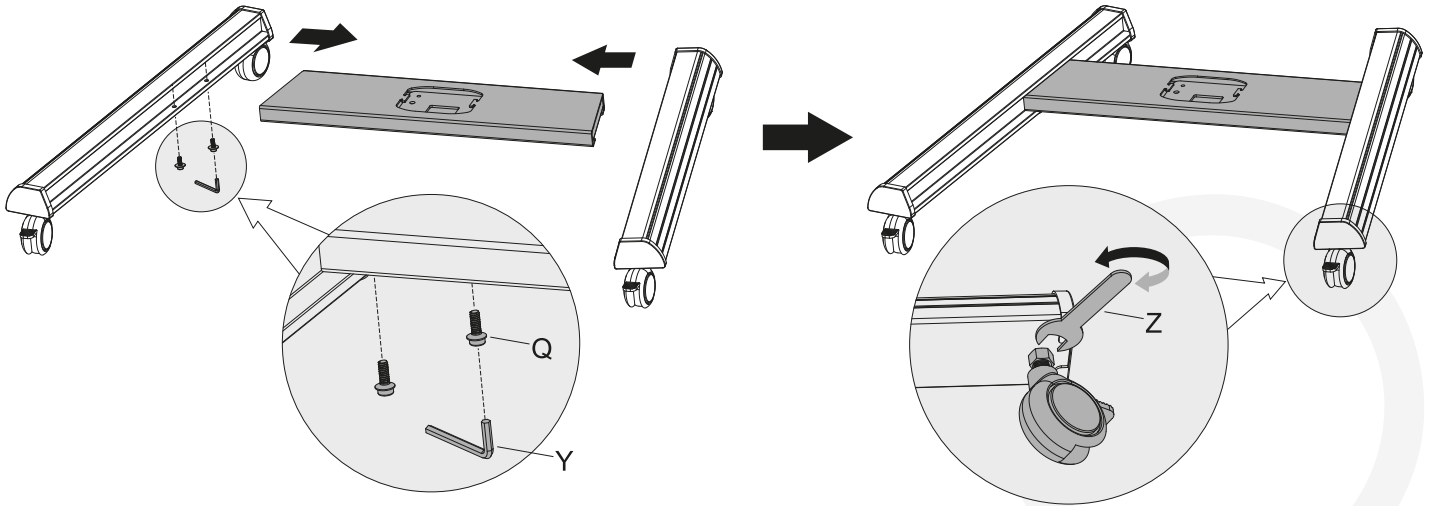


small spacer (x8)
M-G



big spacer (x8)
M-H

1. Assembling the Base

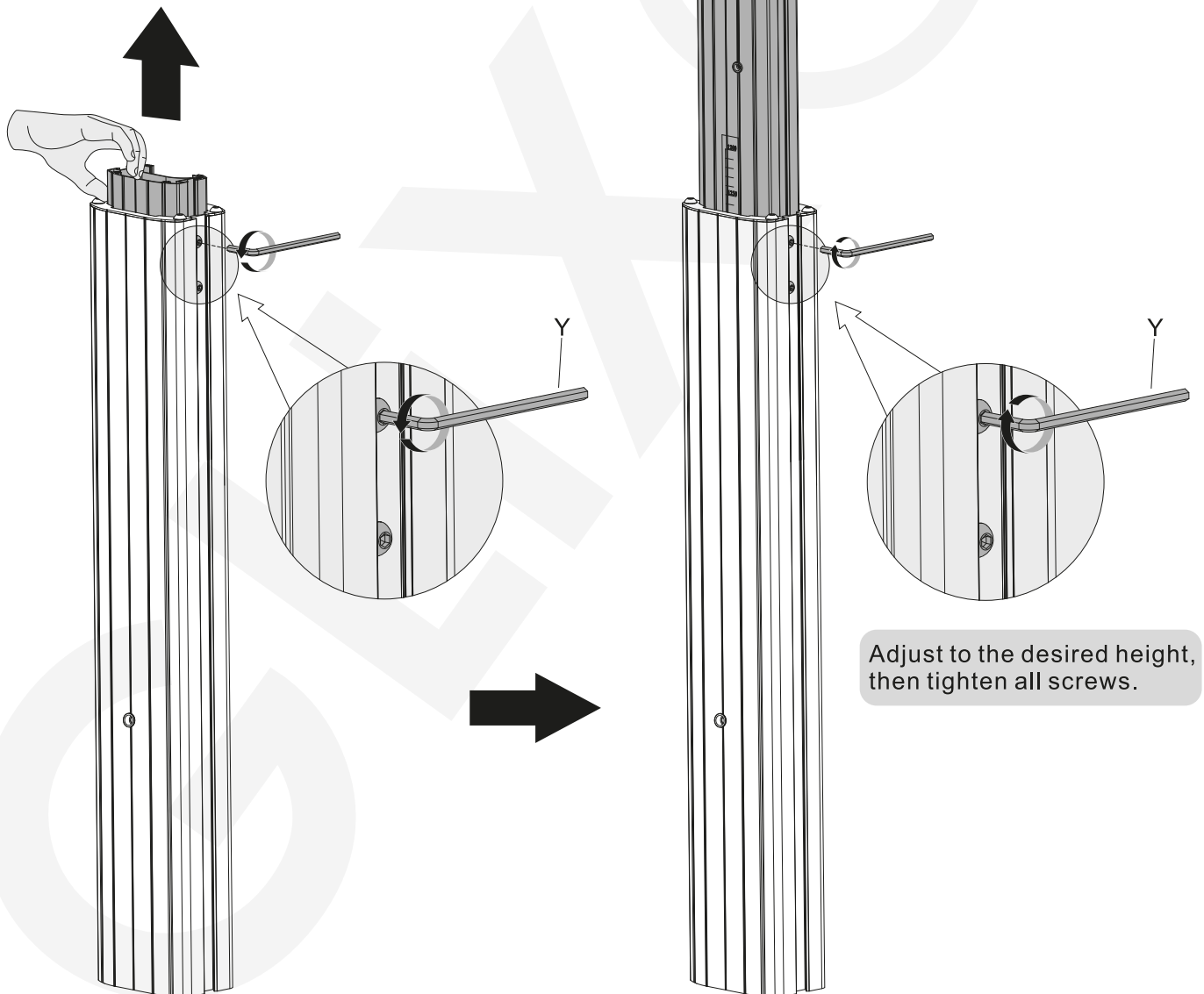


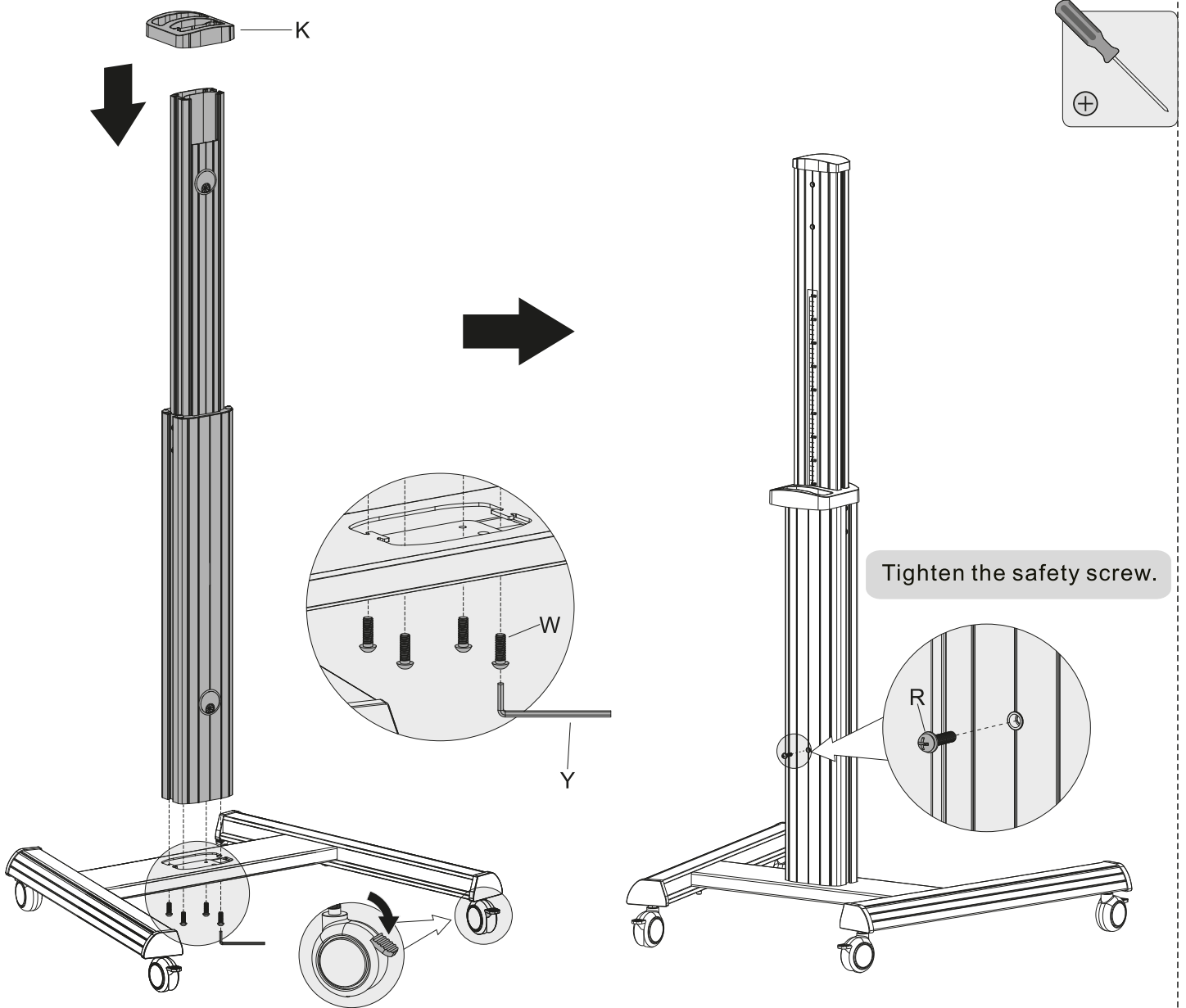
- Insert the right leg into the base. Align the holes in the right leg to the holes in the base. Secure with the screws. Repeat this step for the left leg.
- Each caster can be adjusted independently for fine tuning. Slightly turn the nut to lower or raise the base.

2. Attaching the Column to the Base

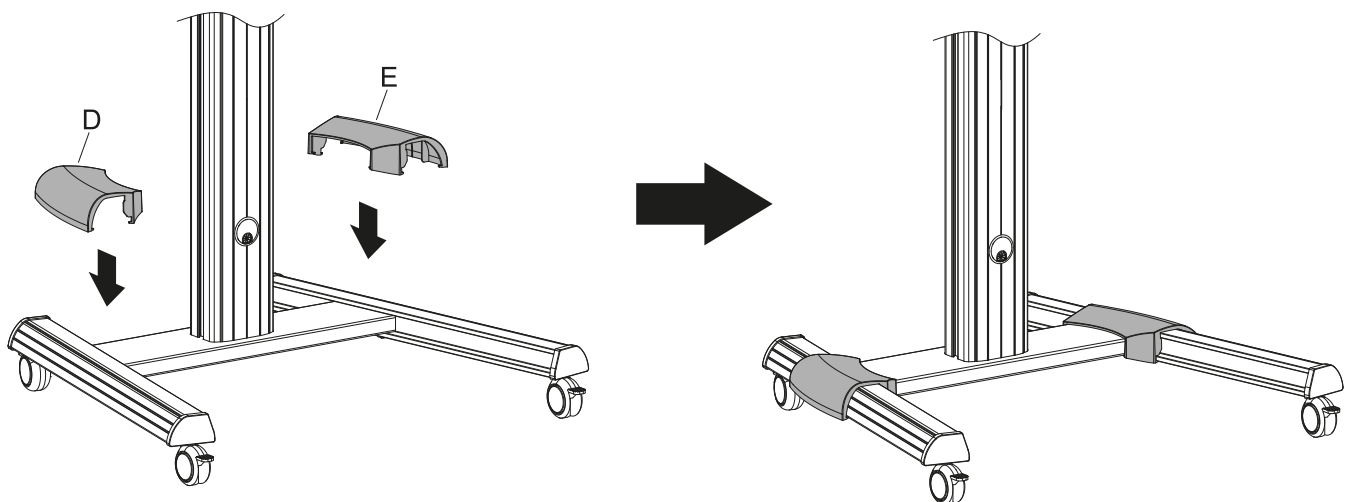


CAUTION: Please hold the inner column when loosening the screws to adjust height.

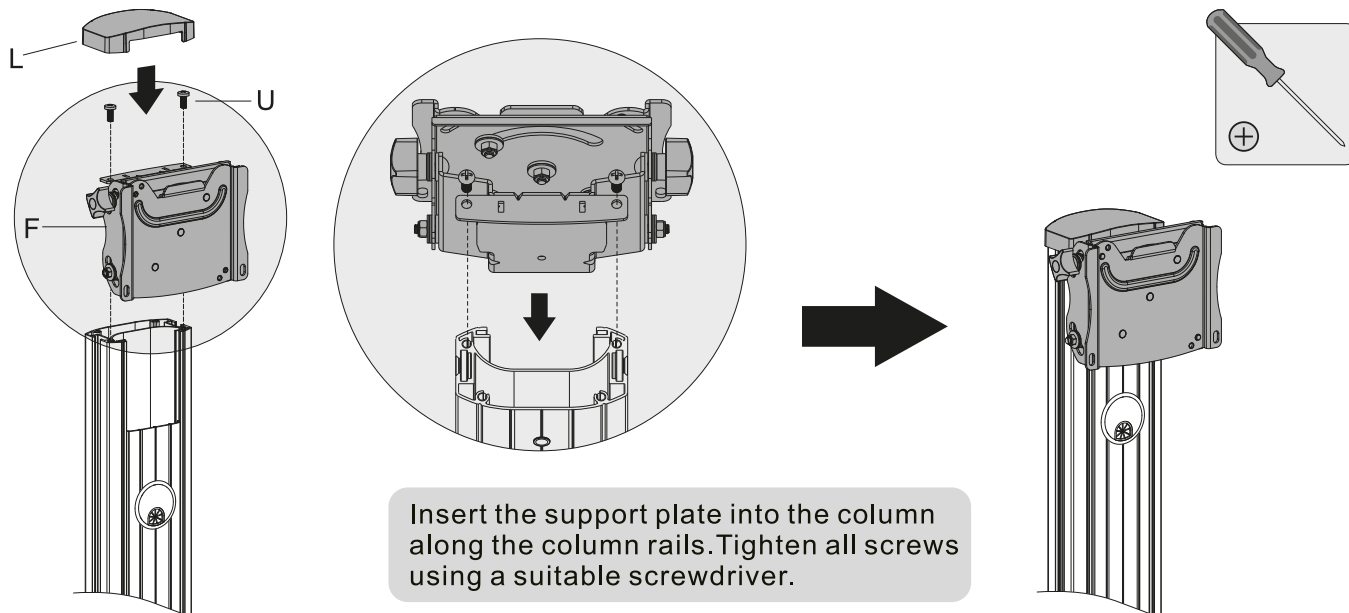




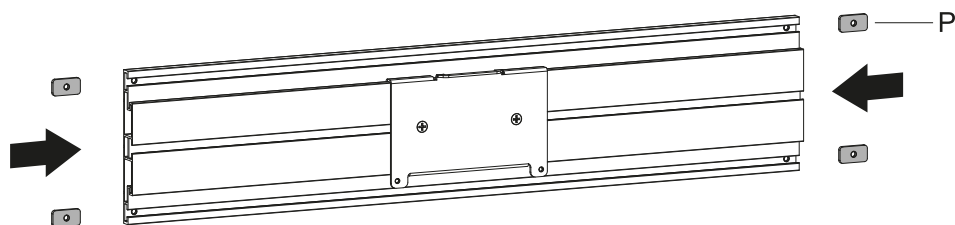
Attach the column to the base using the screws. Tighten all screws using an Allen key.



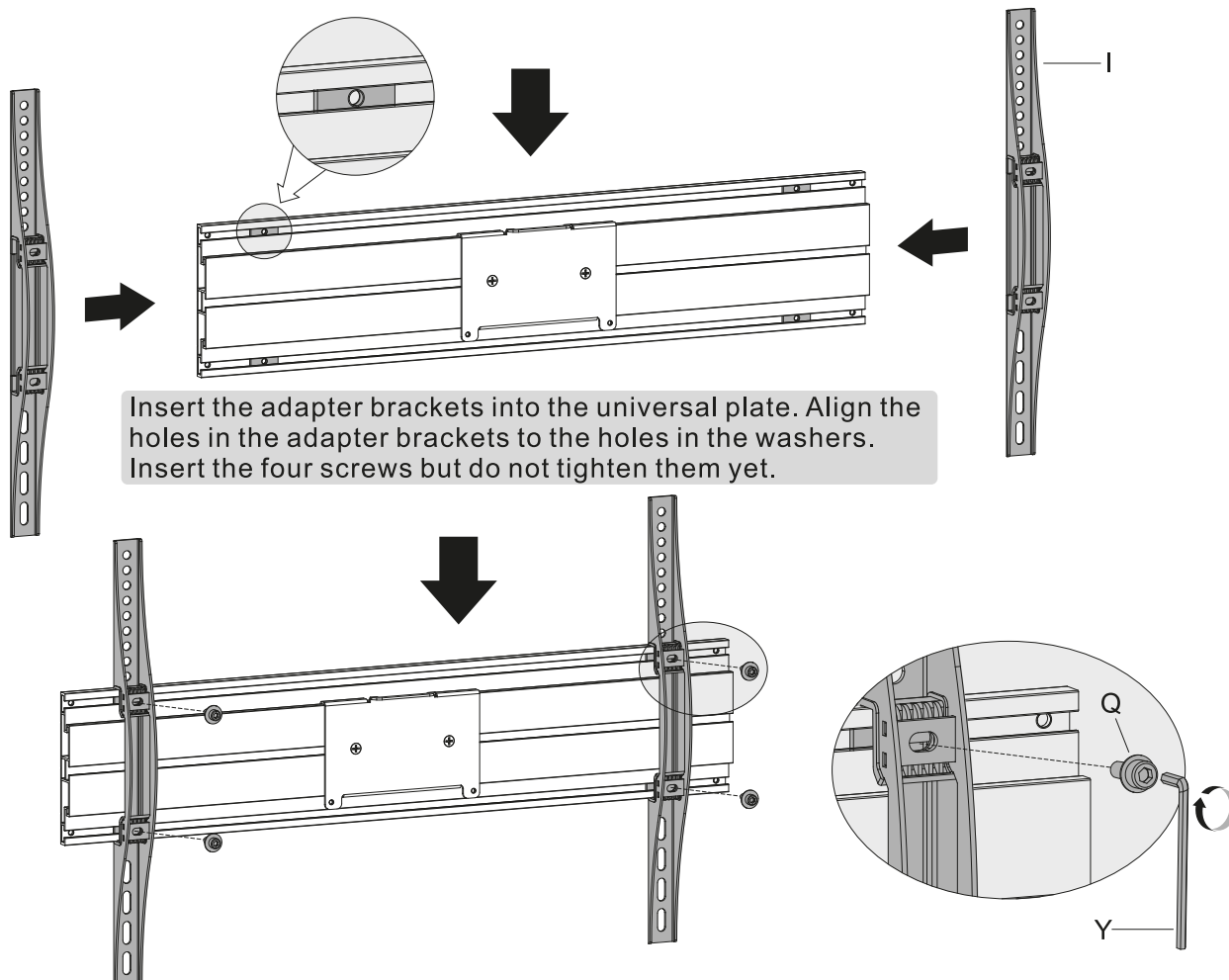
3. Installing the Support Plate

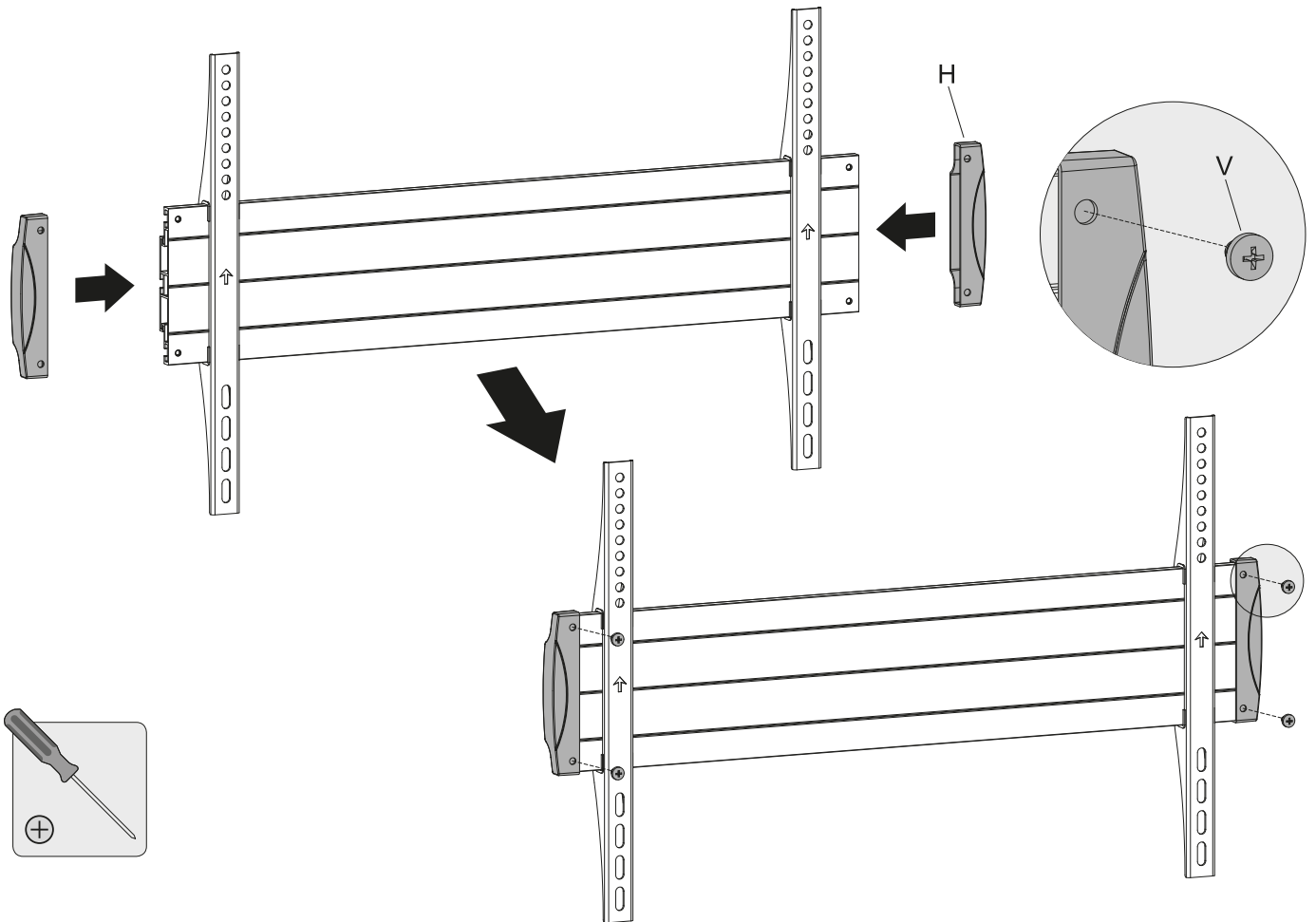


4. Installing the Adapter Brackets

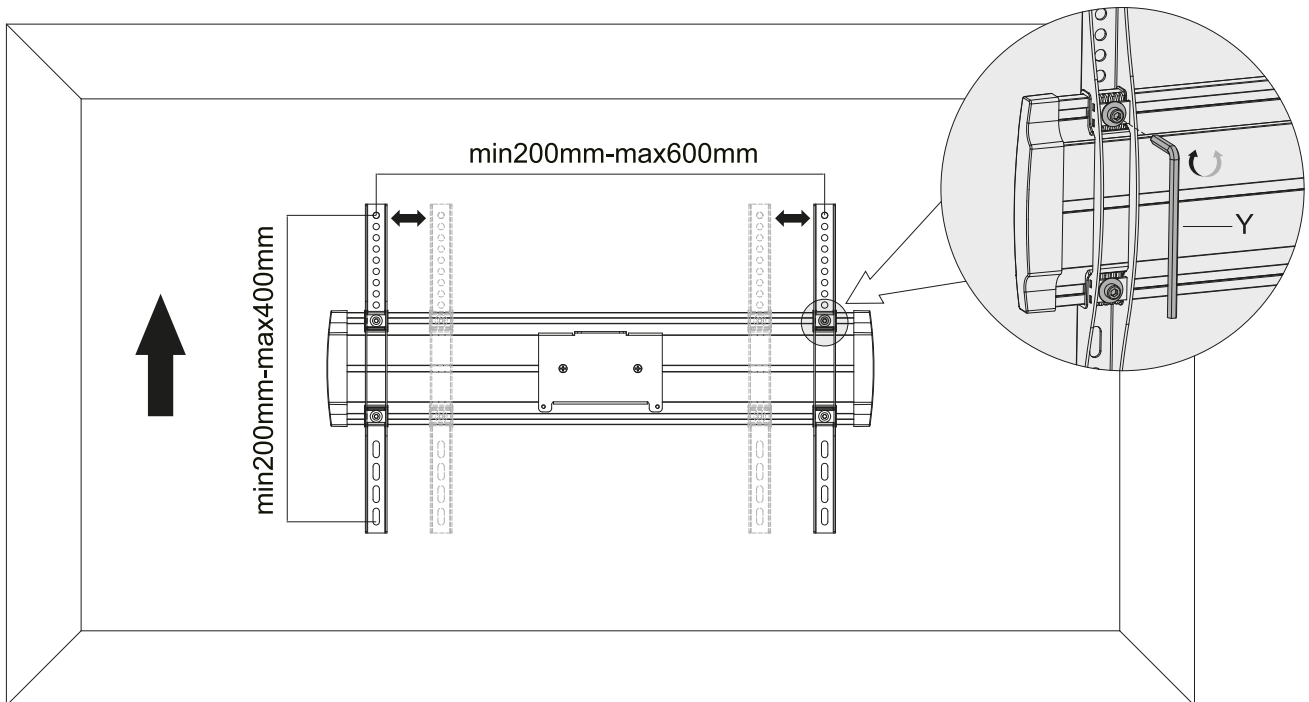


Insert the washers into the back of universal plate along the plate rails.



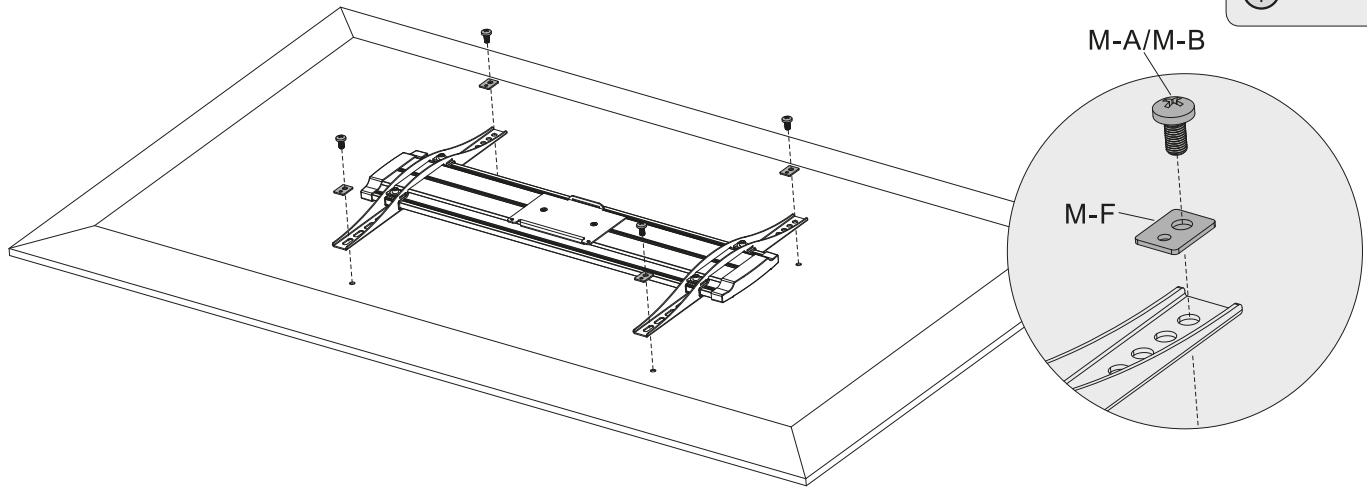
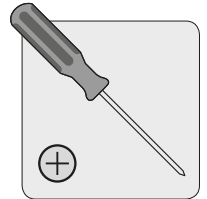
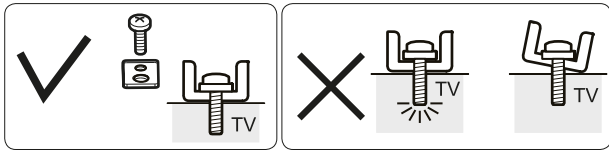


Attach the two plastic covers to both ends of the plate using the appropriate screws. Tighten all screw using a suitable screwdriver.

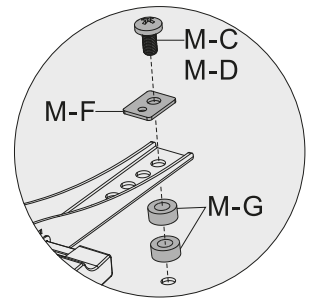
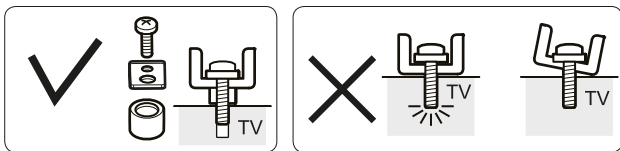


Adjust the adapter brackets to fit the hole pattern of your display. Then tighten all screws with an Allen key. **NOTE:** Verify the proper alignment of all holes.

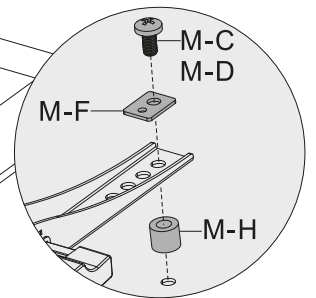
4-1 For Flat Back Screens



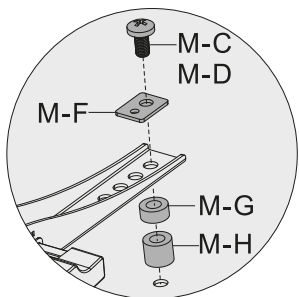
4-2 For Recessed Back Screens or to Access A/V Inputs



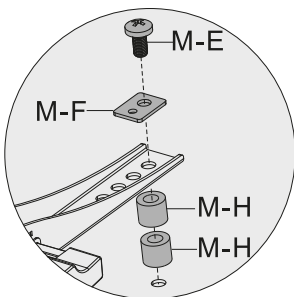
or



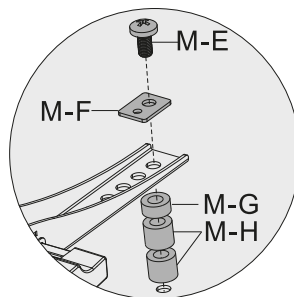
or



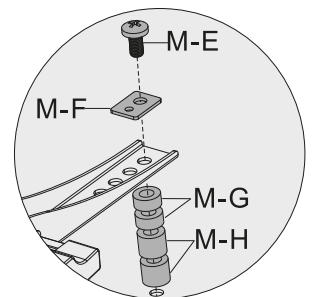
or



or



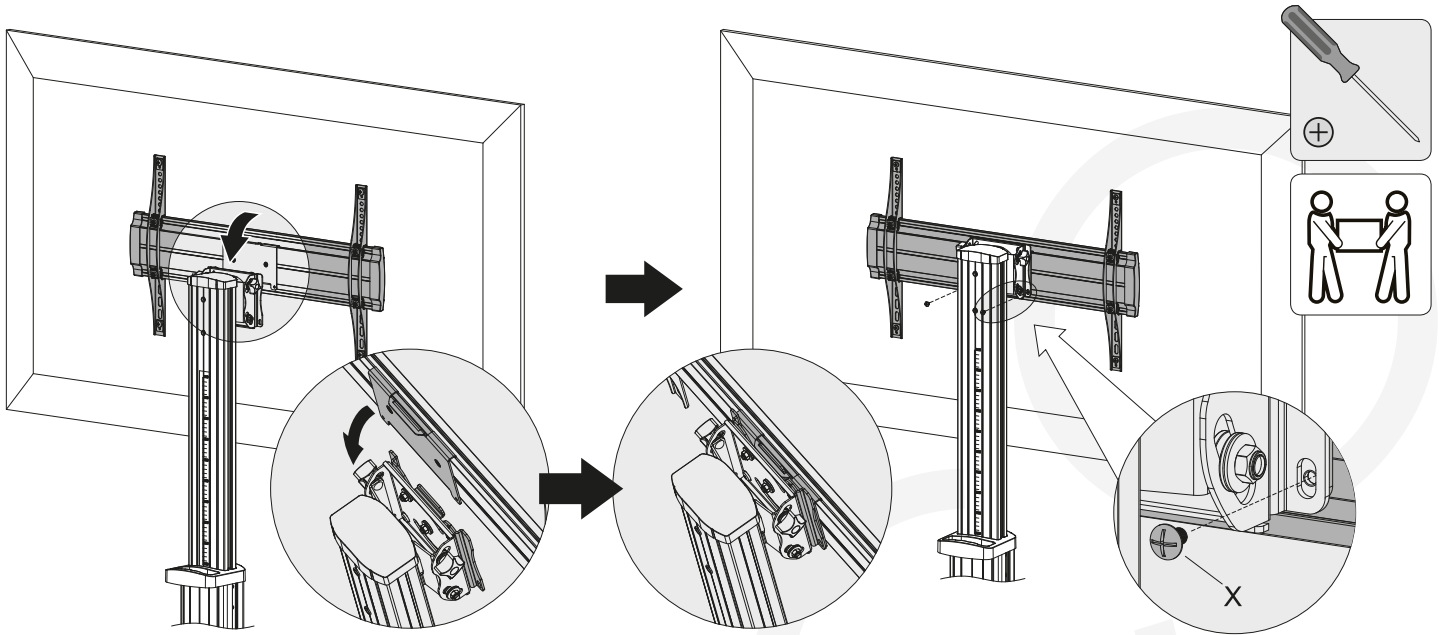
or



Note: Choose the appropriate screws, washers and spacers (if necessary) according to the type of screen.
 • Screw the adapter brackets onto the display.

 **Tighten all screws but do not over tighten.**

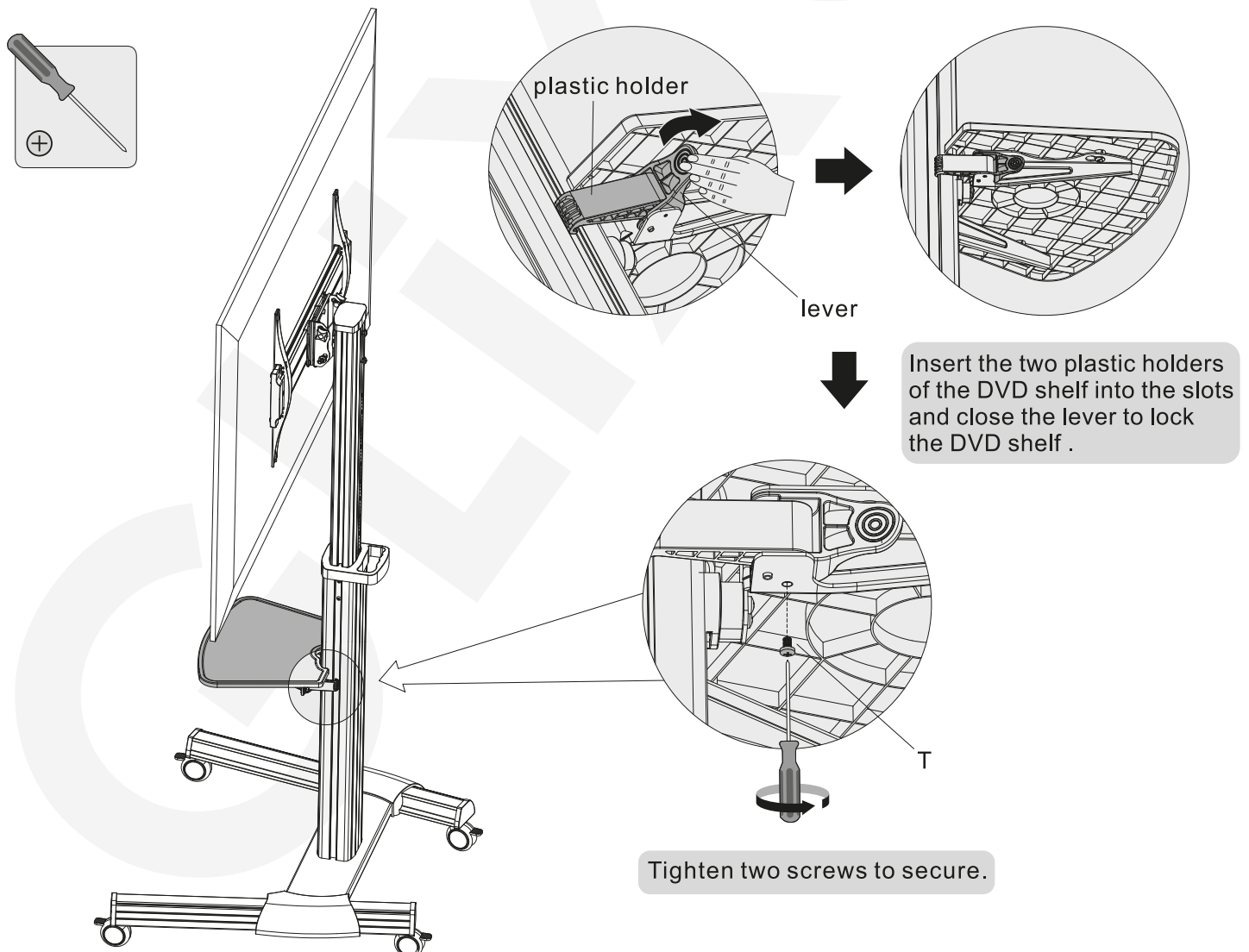
5. Hooking the Display onto the Support Plate



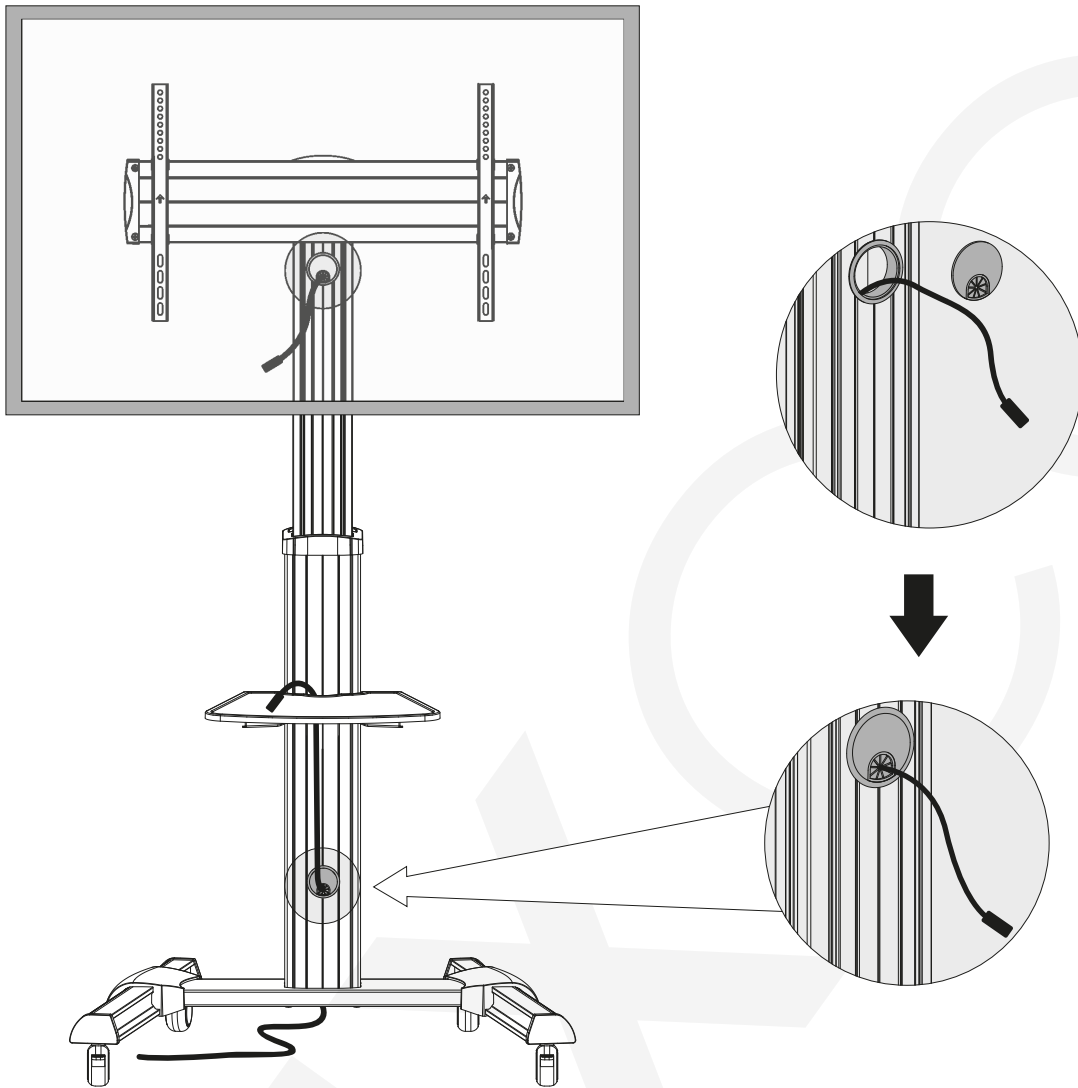
- Hook the universal plate onto the support plate.
- Tighten two screws to secure them.

IMPORTANT: Make sure the display is mounted correctly, and that the screws are tightened safely before releasing the display.

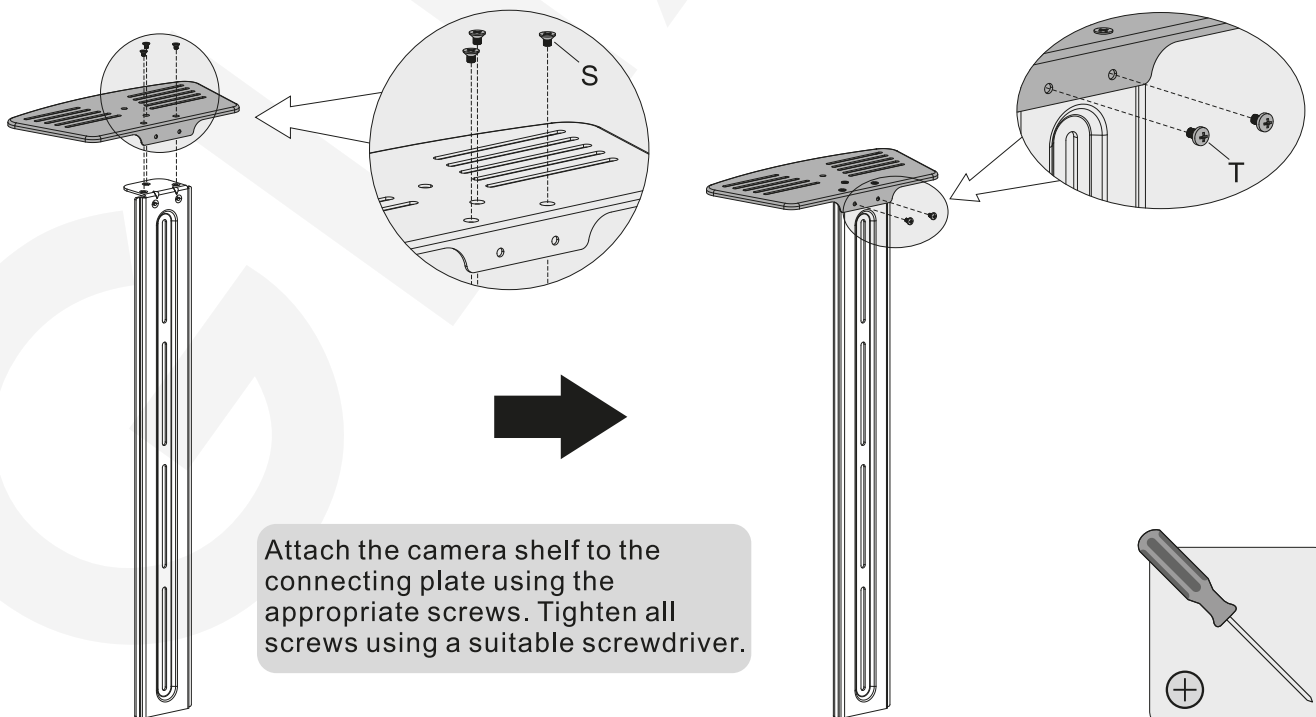
6. Installing the DVD Shelf



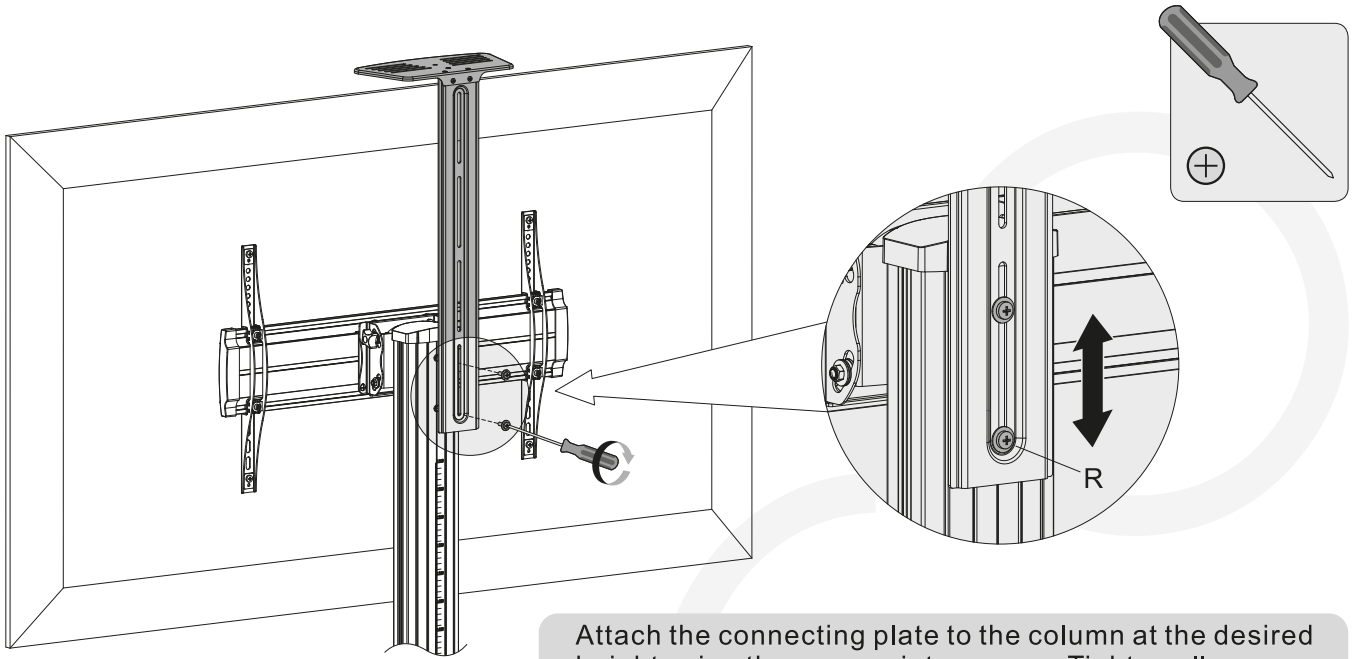
7. Cable Management



8. Installing the Camera Shelf

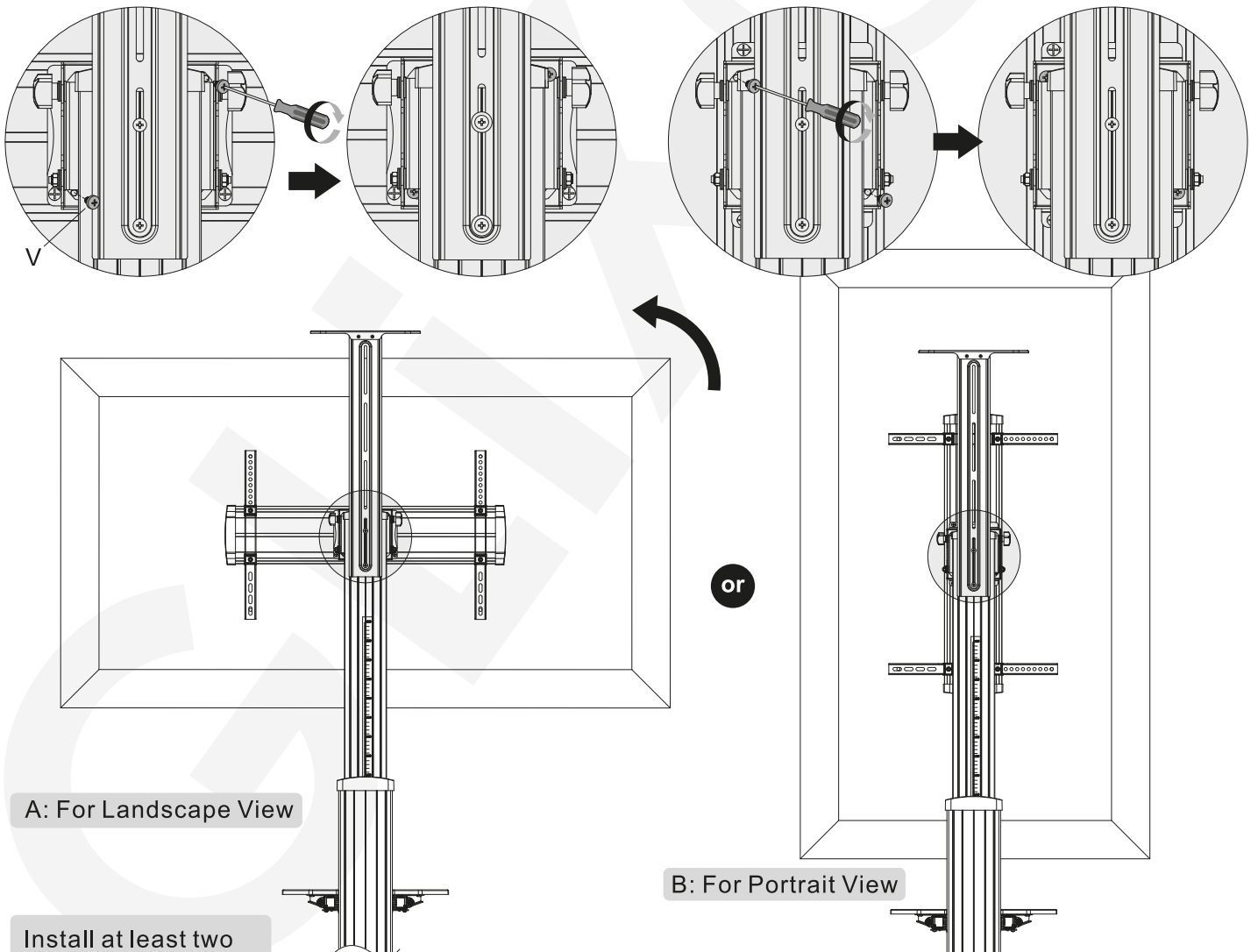


9. Installing the Connecting Plate



Attach the connecting plate to the column at the desired height using the appropriate screws. Tighten all screws using a suitable screwdriver.

10. Display Orientation



Install at least two screws diagonally to secure the display.

To rotate the screen in either a portrait or landscape position, remove two screws (V) that have been installed. Once rotated, re-insert into the different hole as shown and tighten the screws.