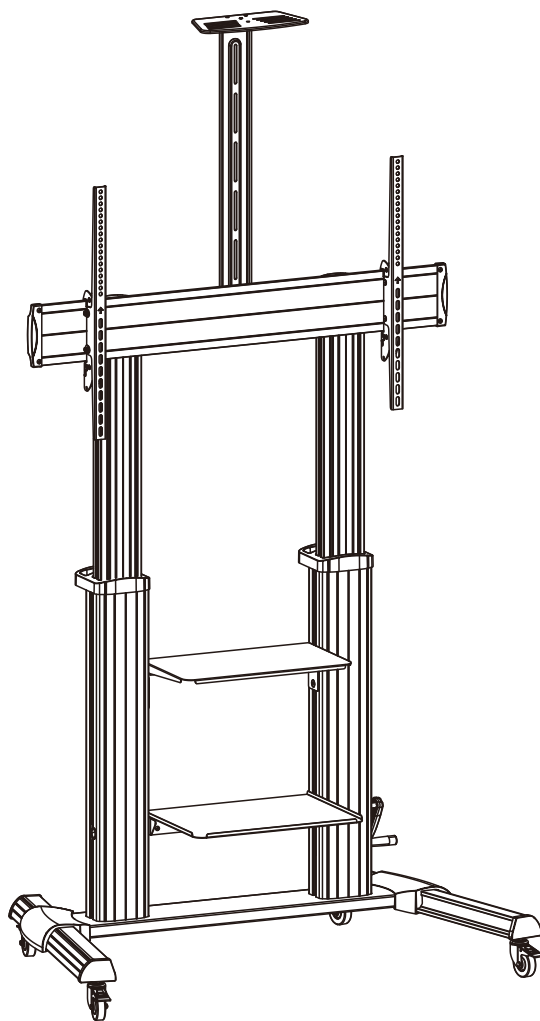



MANUAL DE INSTALACIÓN



SKU: BAUL04610AL

EN  Read the entire instruction manual before you start installation and assembly. If you have any questions regarding any of the instructions or warnings, please contact your local distributor for assistance.



CAUTION: Use with products heavier than the rated weights indicated may result in instability causing possible injury.

• Mounts must be attached as specified in assembly instructions. Improper installation may result in damage or serious personal injury.

• Safety gear and proper tools must be used. This product should only be installed by professionals.

• Make sure that the supporting surface will safely support the combined weight of the equipment and all attached hardware and components.

• Use the mounting screws provided and DO NOT OVER TIGHTEN mounting screws.

• This product contains small items that could be a choking hazard if swallowed. Keep these items away from children.

• This product is intended for indoor use only. Using this product outdoors could lead to product failure and personal injury.

IMPORTANT: Ensure that you have received all parts according to the component checklist prior to installation. If any parts are missing or faulty, telephone your local distributor for a replacement.

MAINTENANCE: Check that the bracket is secure and safe to use at regular intervals (at least every three months).



A (x1)
middle base



B (x1)
left leg



C (x1)
right leg



D (x1)
left cover



E (x1)
right cover



F (x1)
universal plate



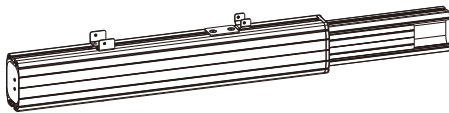
G (x2)
plastic cover



H (x2)
plastic handle



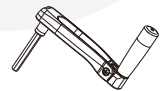
I (x4)
caster



J (x1)
left column



K (x1)
right column



L (x1)
crank handle



M (x1)
left adapter bracket



N (x1)
right adapter bracket



O(x2)
top cover



P (x1)
camera shelf



Q (x1)
DVD shelf



R (x1)
DVD shelf



S (x1)
connecting plate



T (x1)
connecting bar



U (x1)
M5x40



V (x4)
M6x25



W (x3)
M4x6



X (x2)
M4x6



Y (x4)
M6x14



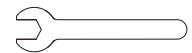
Z (x12)
M8x25



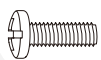
A1 (x12)
M6x8



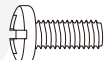
B1 (x1)
5mm Allen key



C1 (x1)
19mm wrench



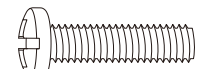
M-A (x4)
M5x14



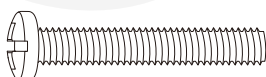
M-B (x4)
M6x14



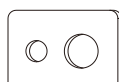
M-C (x4)
M6x30



M-D (x4)
M8x30



M-E (x4)
M8x50



M-F (x4)
D5-D8

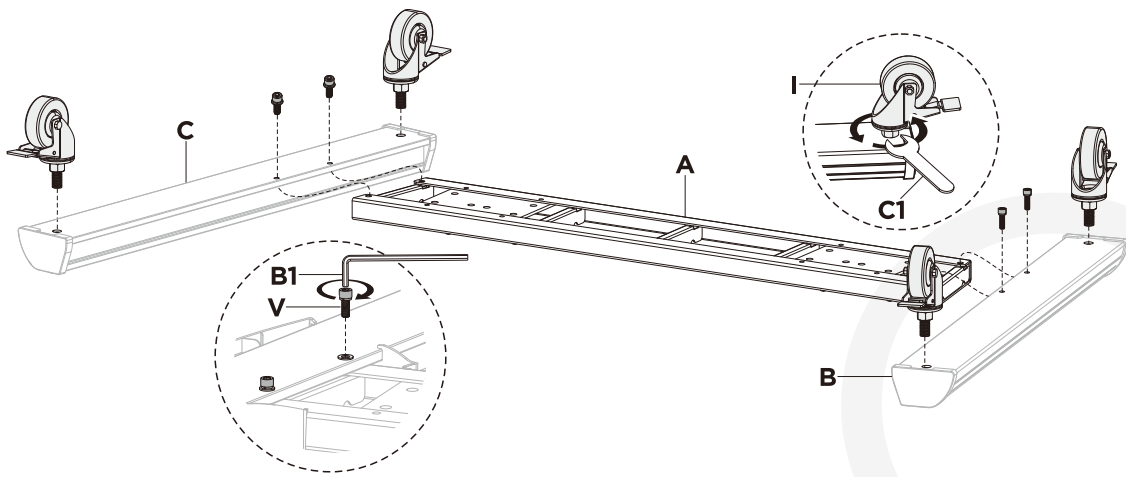


M-G (x8)
Ø15xØ8x5



M-H (x8)
Ø15xØ8x15

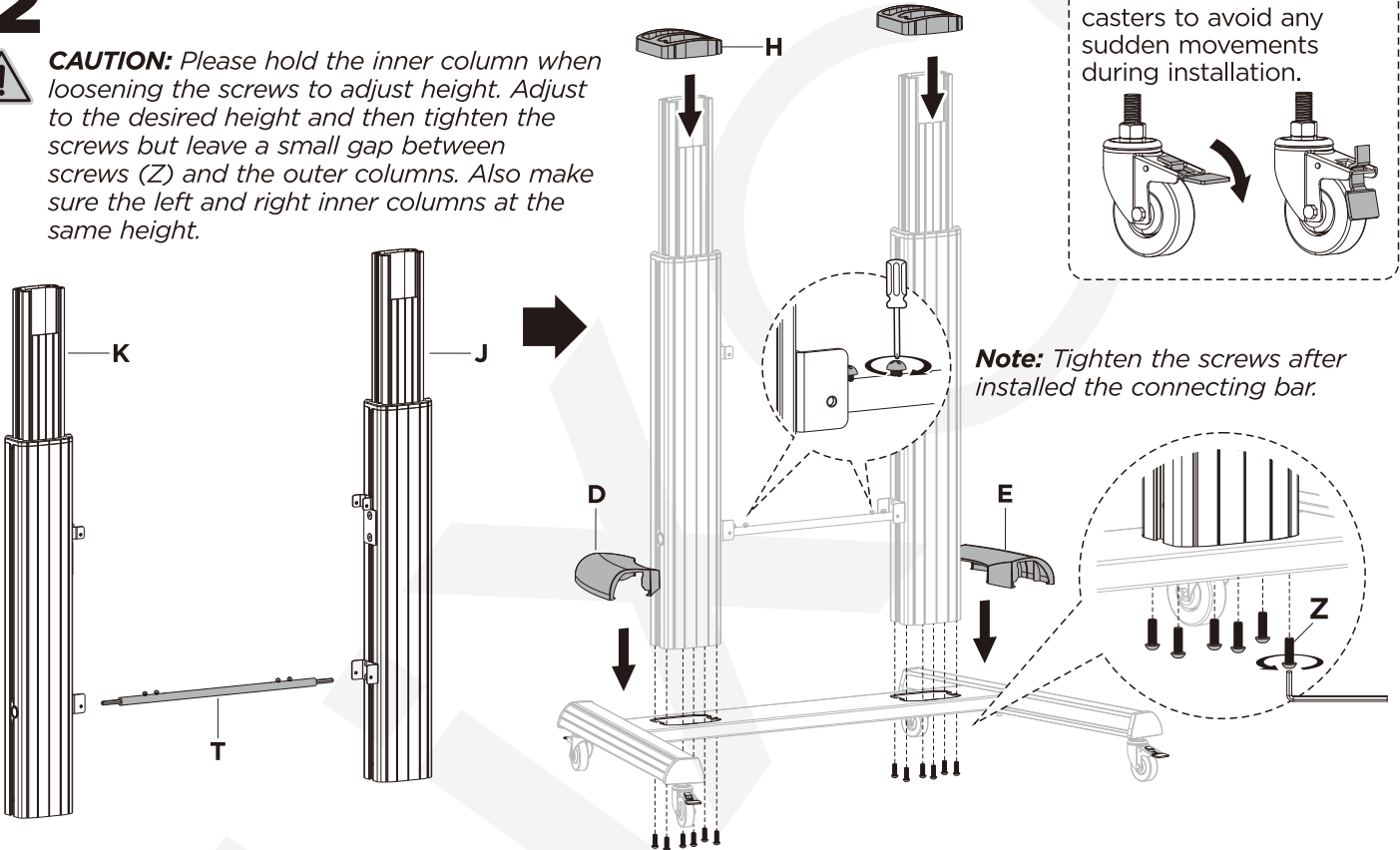
1



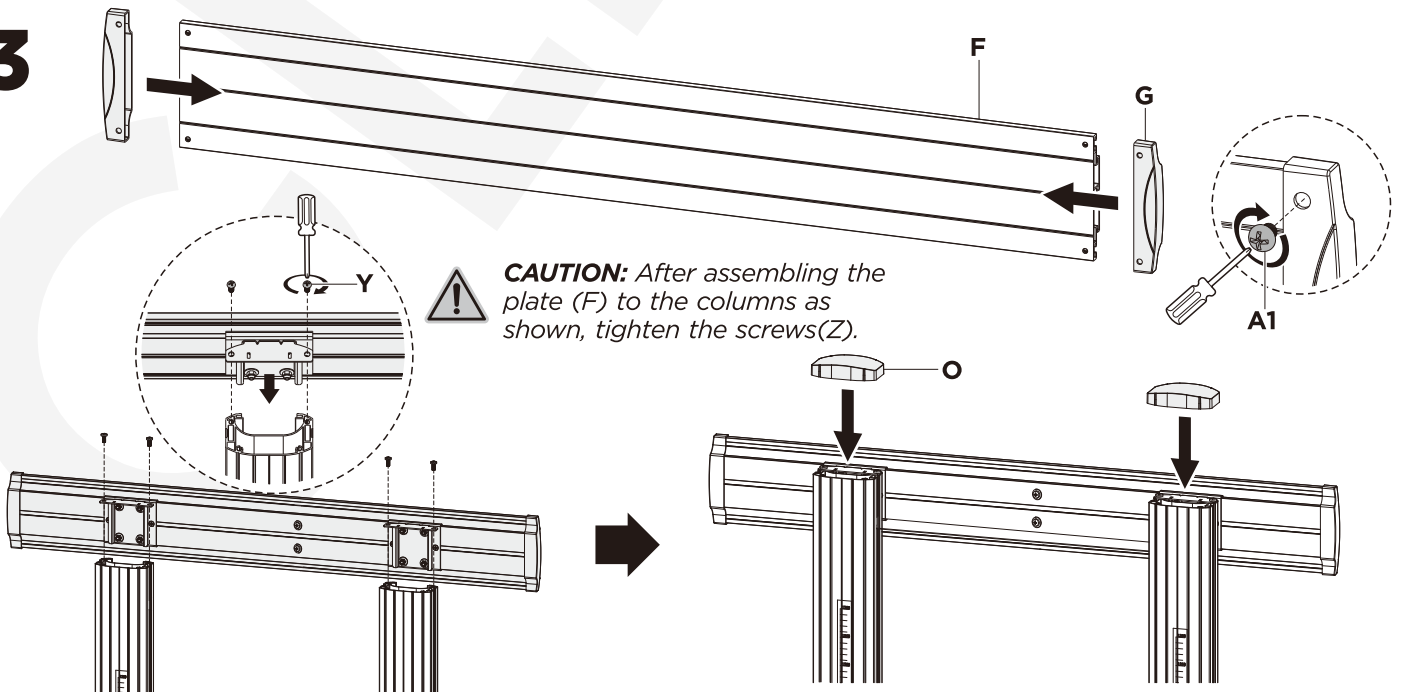
2



CAUTION: Please hold the inner column when loosening the screws to adjust height. Adjust to the desired height and then tighten the screws but leave a small gap between screws (Z) and the outer columns. Also make sure the left and right inner columns at the same height.

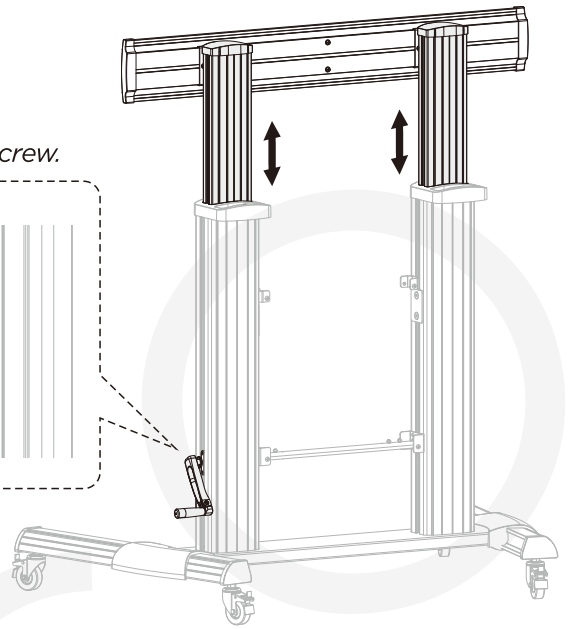
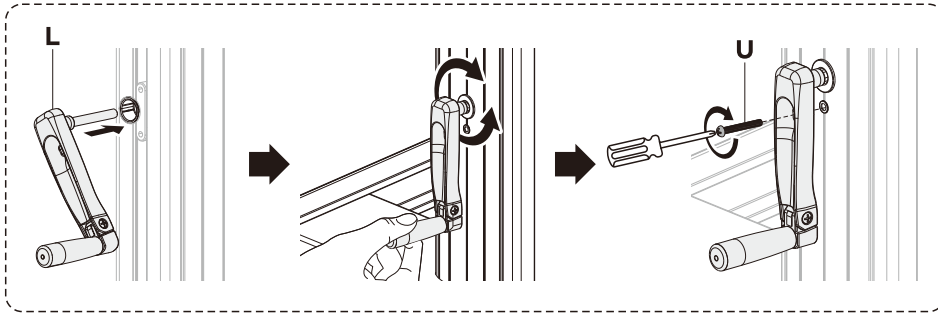


3

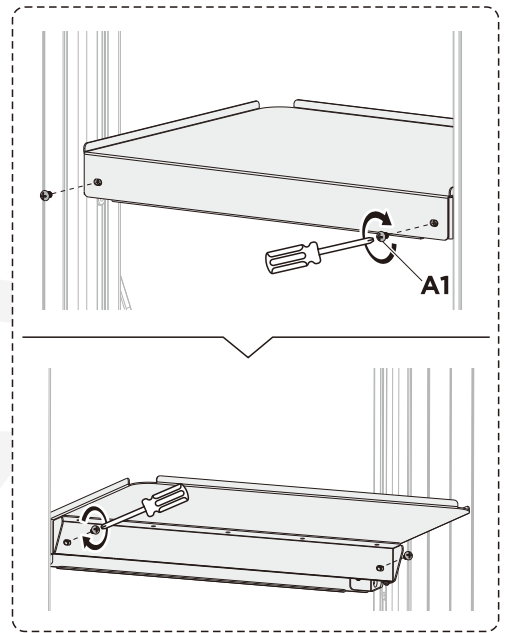
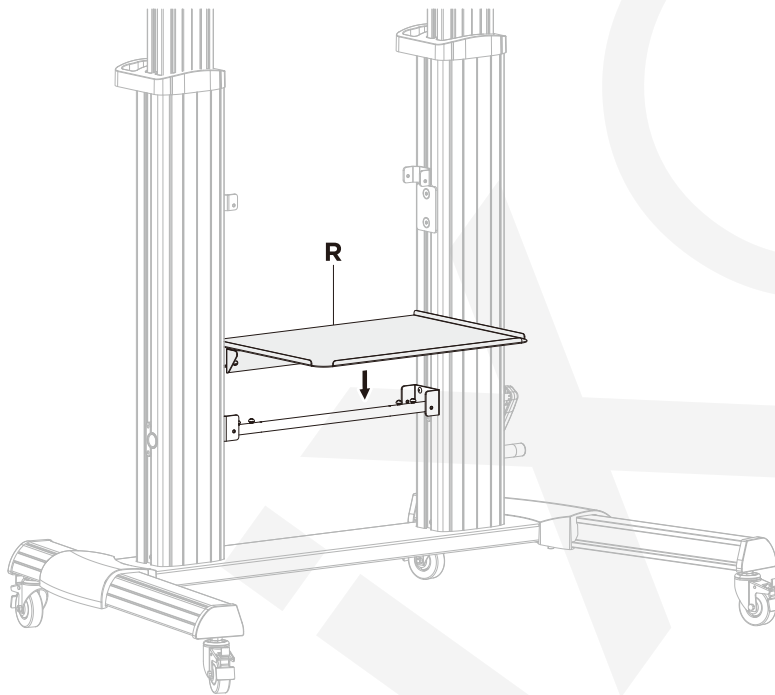


4

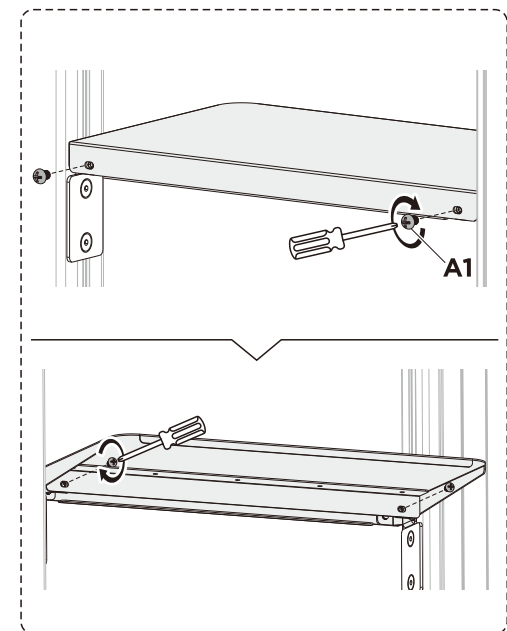
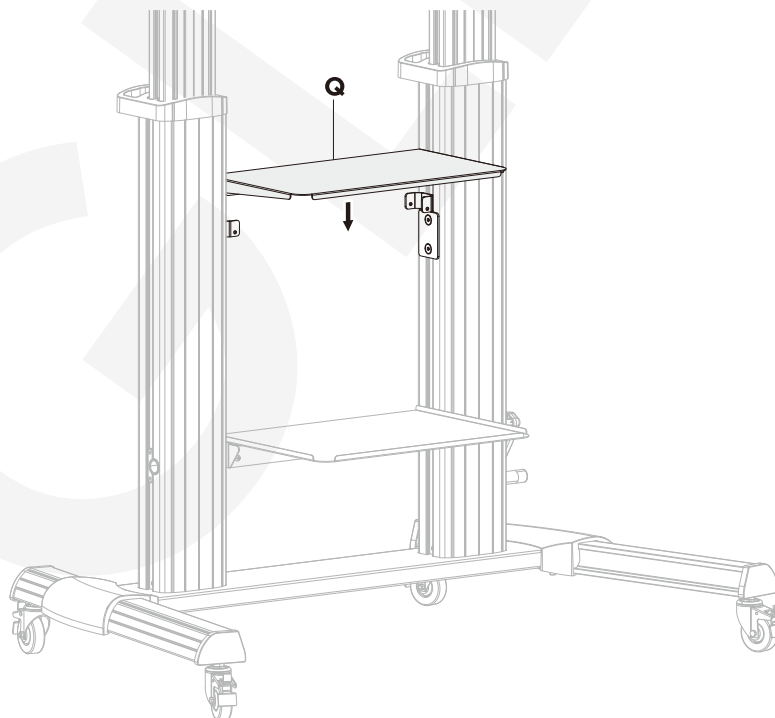
Note: Adjust the height with crank handle then tighten the screw.



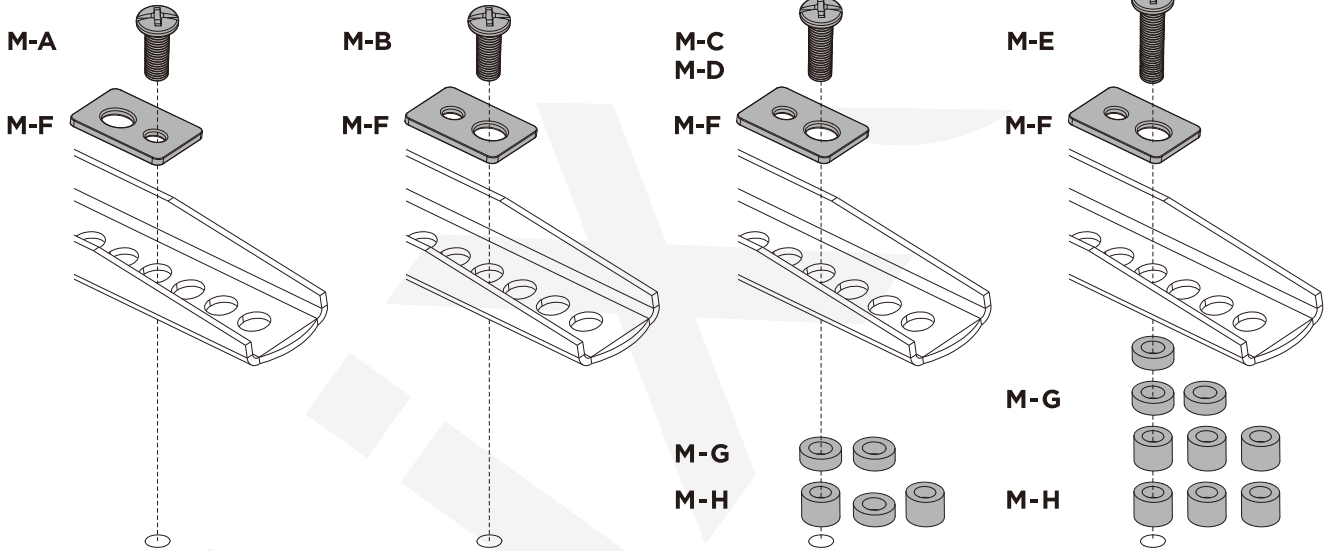
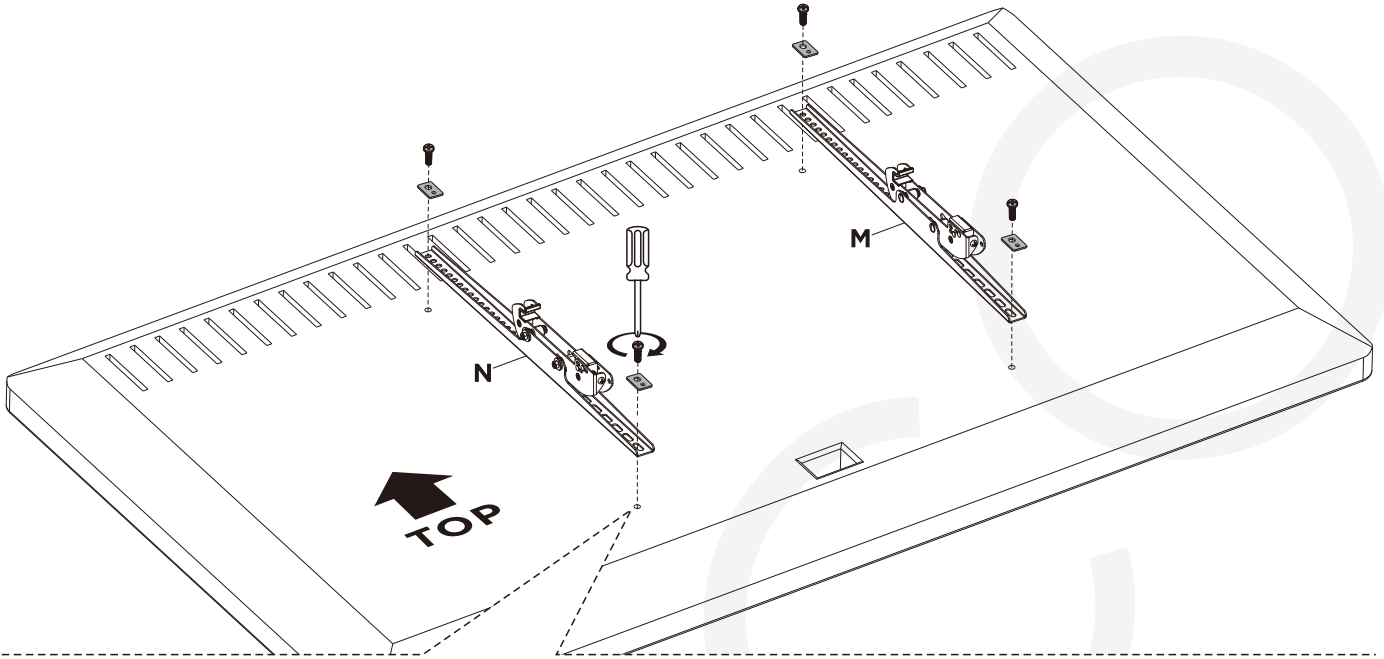
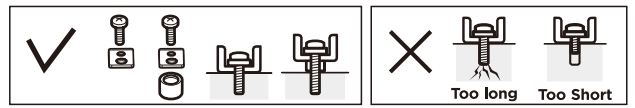
5



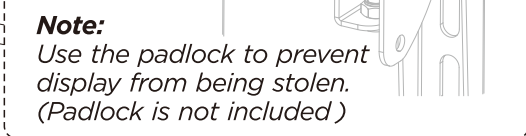
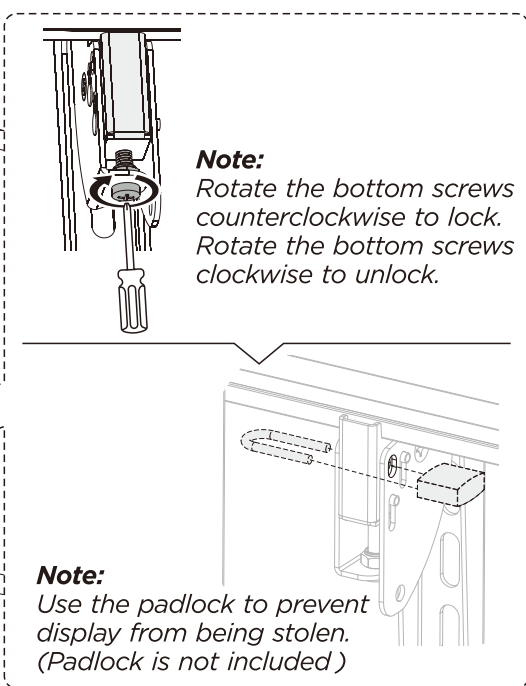
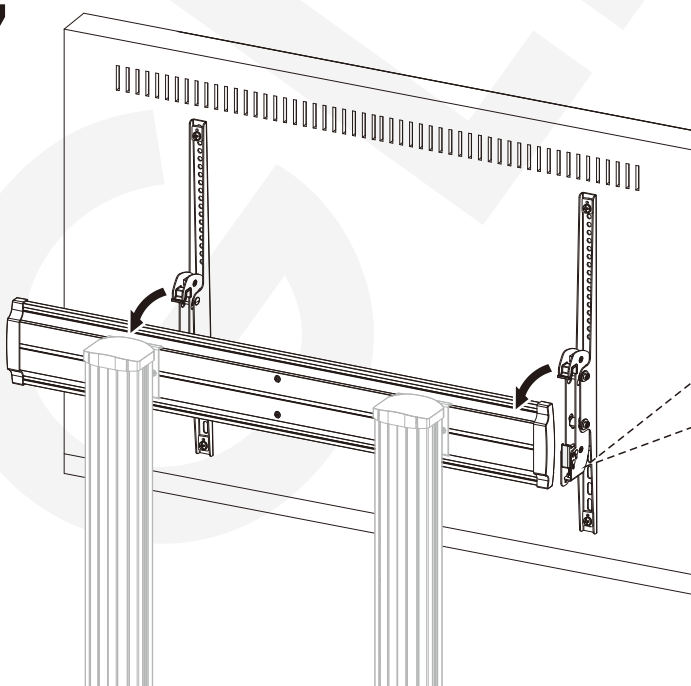
Install the lower shelf first, then the upper one and tighten the screws



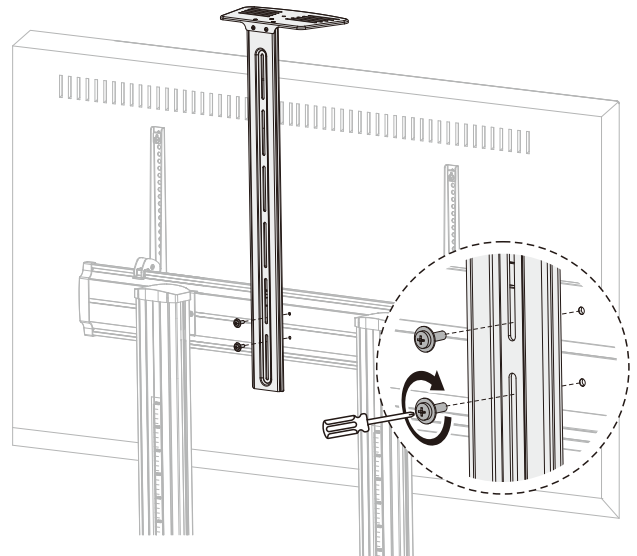
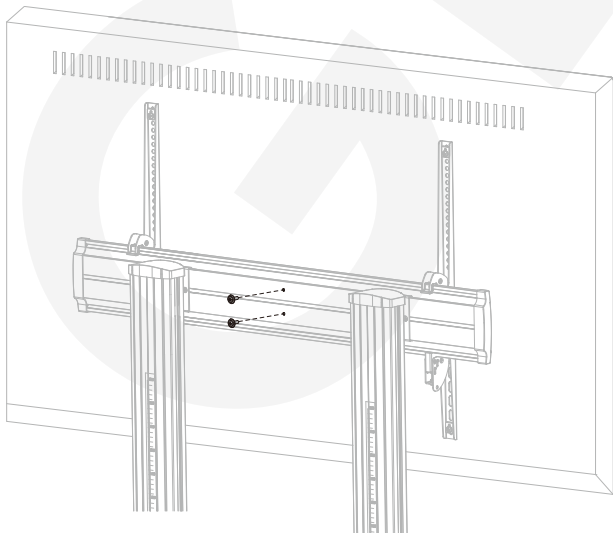
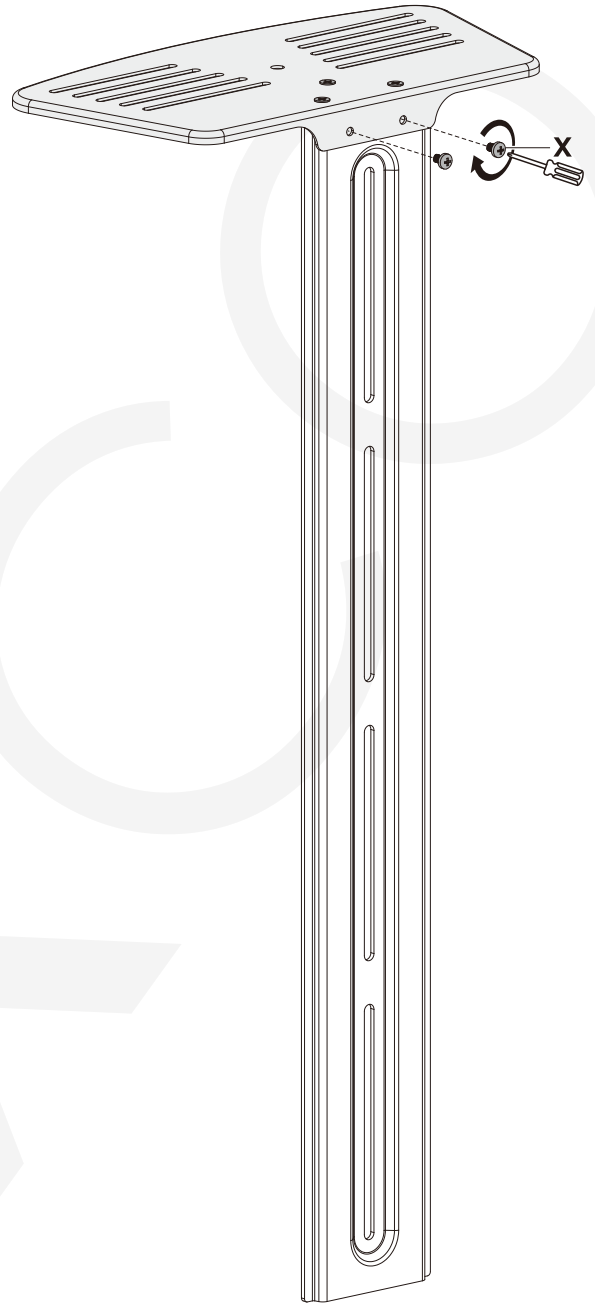
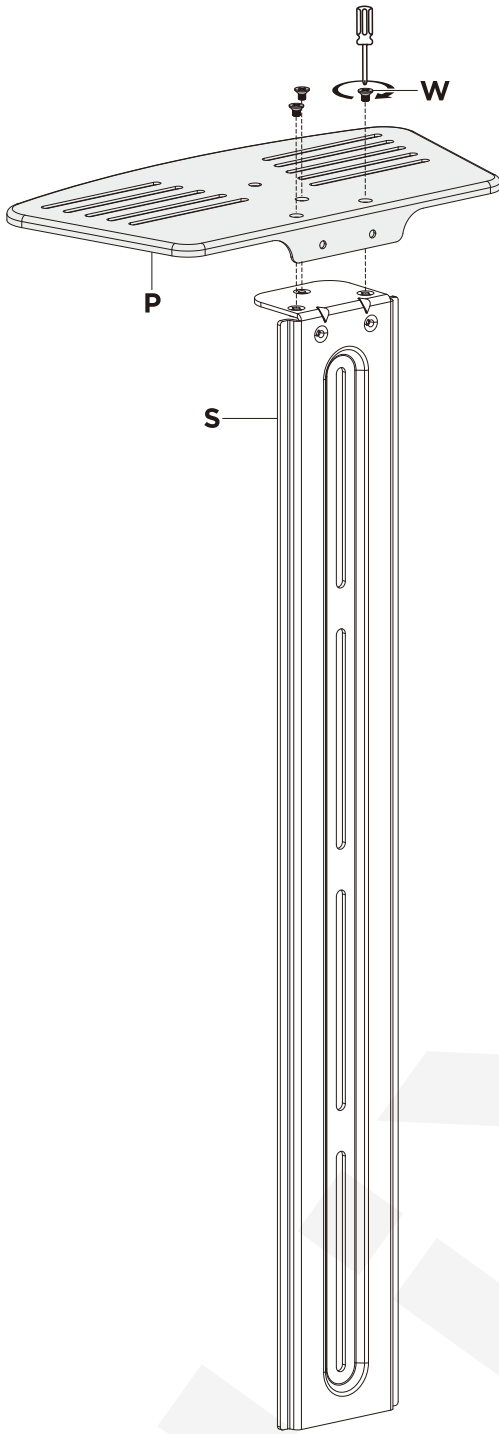
6



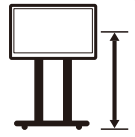
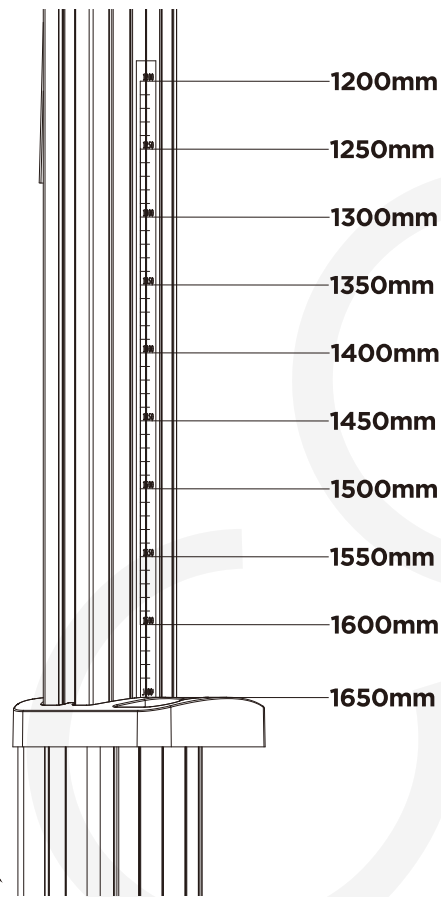
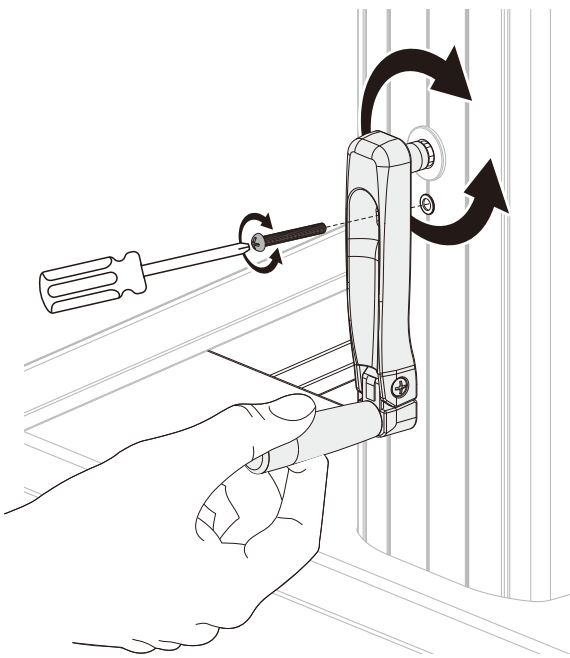
7



8



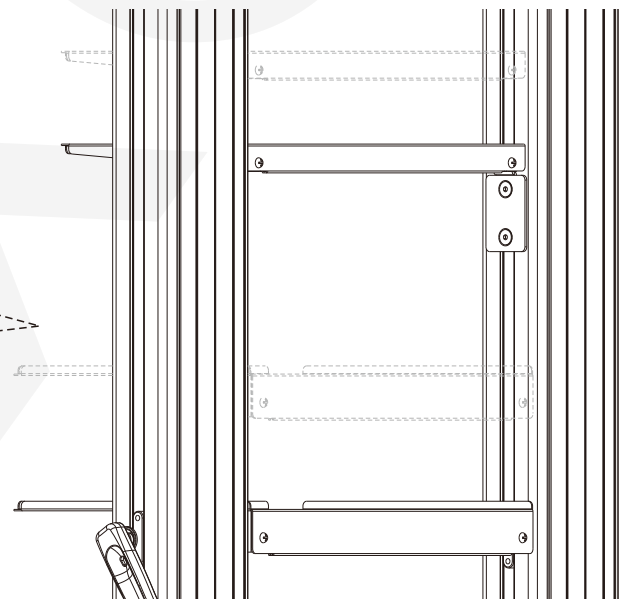
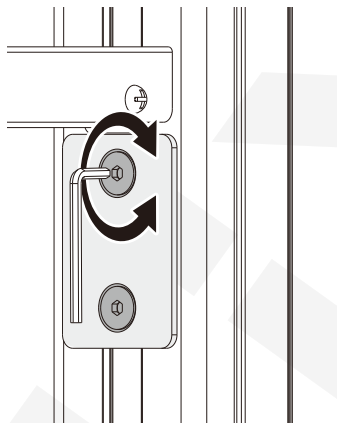
9



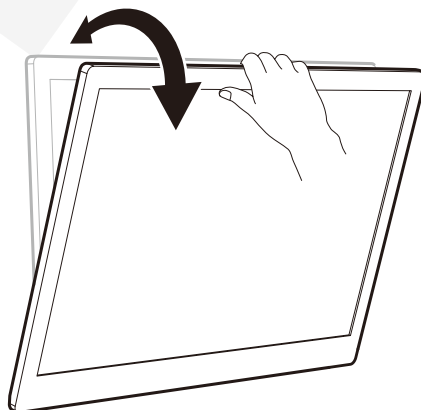
Height markings represent the distance from the floor to the center of the TV screen.

Note: Loosen the screw as shown, adjust the column to the desired height using handle and then tighten the screw.

10



Note: Loosen the screws on both support blocks to adjust the DVD shelf to the desired height then tighten all screws to secure.



Maintenance

- Check if the bracket is secure and safe to use at regular intervals(at least every three months).
- Please contact your distributor if you have any questions.