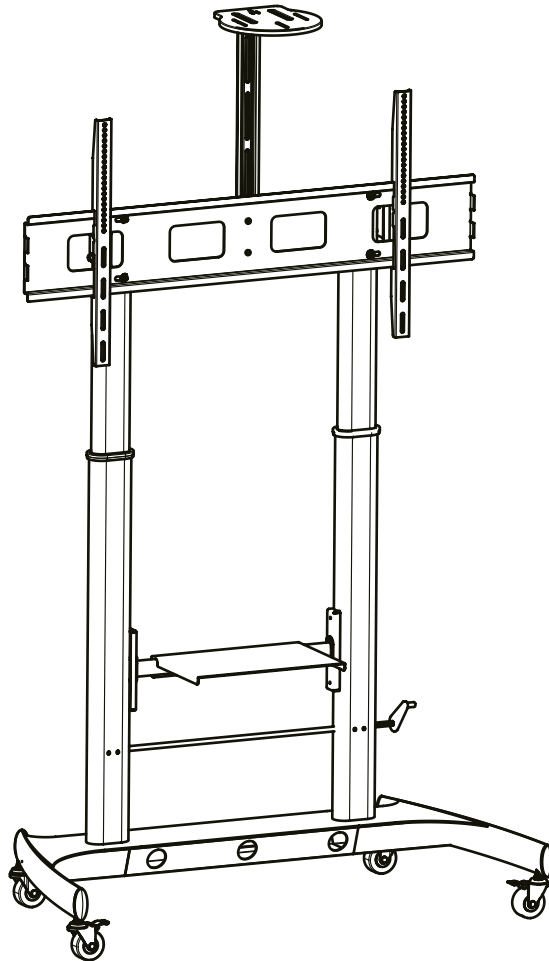




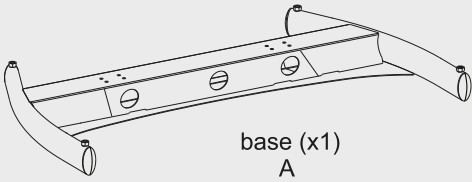
MANUAL DE INSTALACIÓN



SKU: BAUL03610

- EN  Read the entire instruction manual before you start installation and assembly. If you have any questions regarding any of the instructions or warnings, please contact your local distributor for assistance.
-  **CAUTION:** Use with products heavier than the rated weights indicated may result in instability causing possible injury.
- Mounts must be attached as specified in assembly instructions. Improper installation may result in damage or serious personal injury.
 - Safety gear and proper tools must be used. This product should only be installed by professionals.
 - Make sure that the supporting surface will safely support the combined weight of the equipment and all attached hardware and components.
 - Use the mounting screws provided and DO NOT OVER TIGHTEN mounting screws.
 - This product contains small items that could be a choking hazard if swallowed. Keep these items away from children.
 - This product is intended for indoor use only. Using this product outdoors could lead to product failure and personal injury.
- IMPORTANT:** Ensure that you have received all parts according to the component checklist prior to installation. If any parts are missing or faulty, telephone your local distributor for a replacement.
- MAINTENANCE:** Check that the bracket is secure and safe to use at regular intervals (at least every three months).

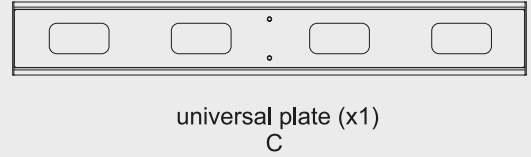
Component Checklist



base (x1)
A



wheel caster (x4)
B



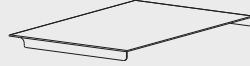
universal plate (x1)
C



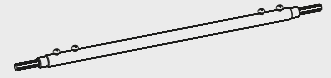
top cover (x2)
D



handle (x1)
E



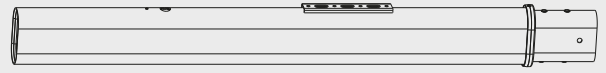
DVD shelf (x1)
F



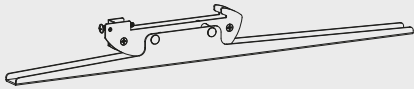
driving rod (x1)
G



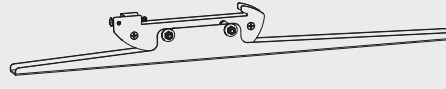
left column (x1)
H



right column (x1)
I



left adapter bracket (x1)
J



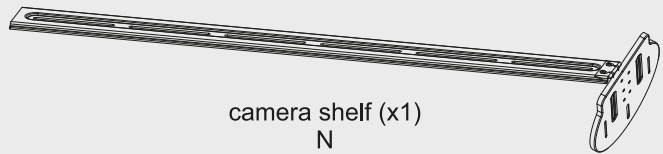
right adapter bracket (x1)
K



support bar (x1)
L



crossbar (x1)
M



camera shelf (x1)
N



butterfly nut (x2)
O



butterfly nut (x4)
P



M5x25 (x1)
Q



M8x30 (x8)
R



M6x25 (x4)
S



M6x14 (x6)
T



M6x8 (x4)
U



M8x65 (x4)
V



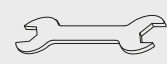
D8 washer (x4)
W



D6 washer (x2)
X



5mm Allen key (x1)
Y



wrench (x1)
Z

Package M



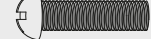
M5x14 (x4)
M-A



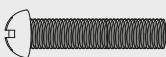
M6x14 (x4)
M-B



M6x30 (x4)
M-C



M8x30 (x4)
M-D



M8x50 (x4)
M-E



washer (x4)
M-F

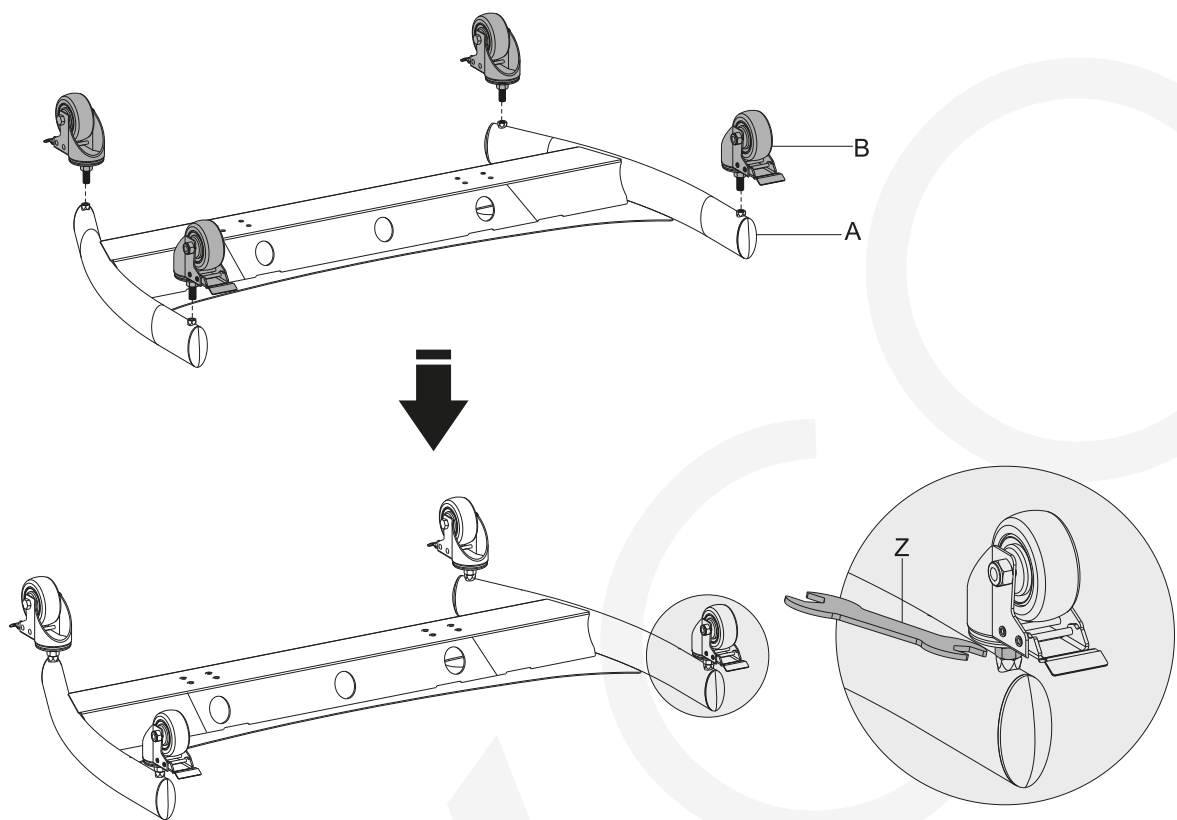


small spacer (x8)
M-G



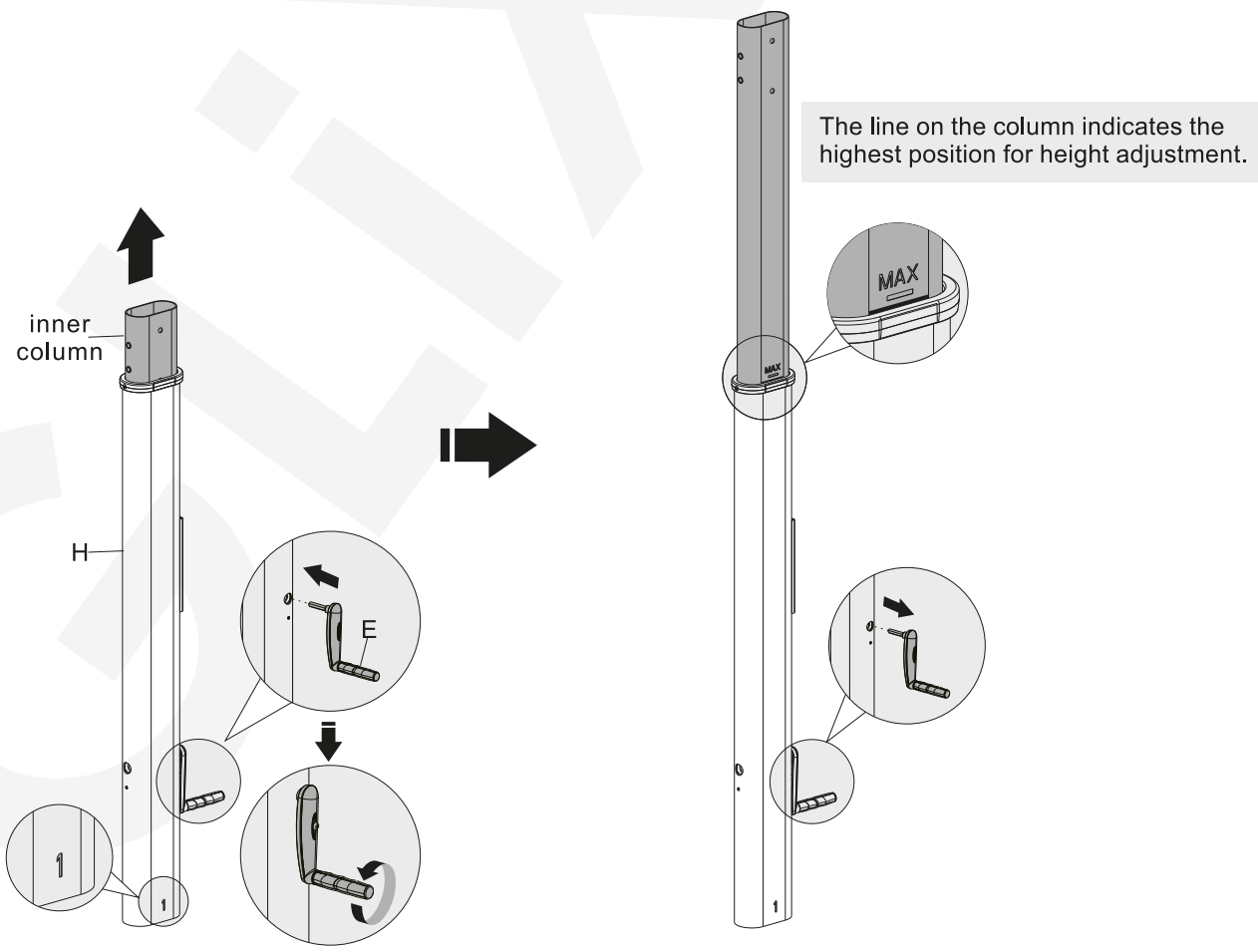
big spacer (x8)
M-H

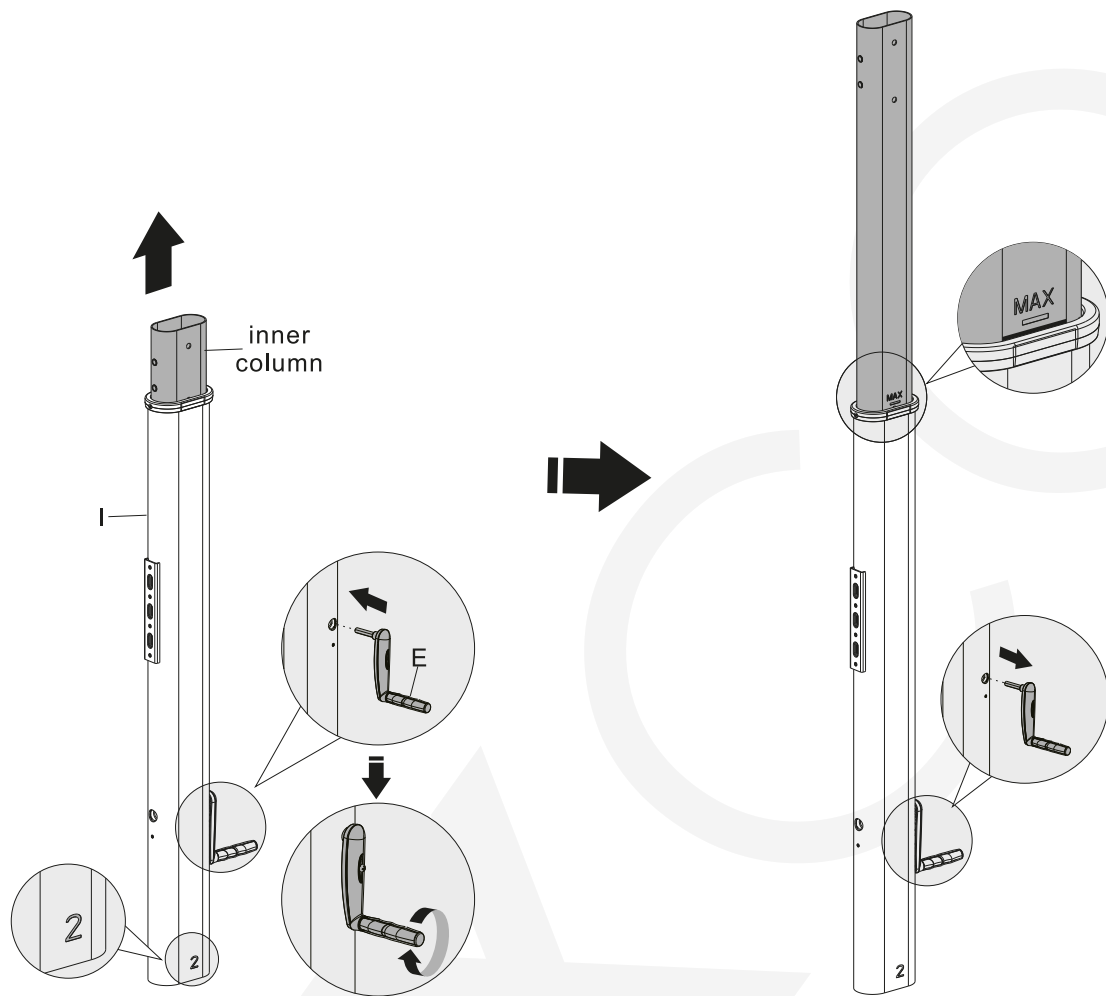
1. Installing the Wheel Caster



Note: Each caster can be adjusted independently for fine tuning. Slightly turn the nut to lower or raise the base.

2. Adjusting the Columns

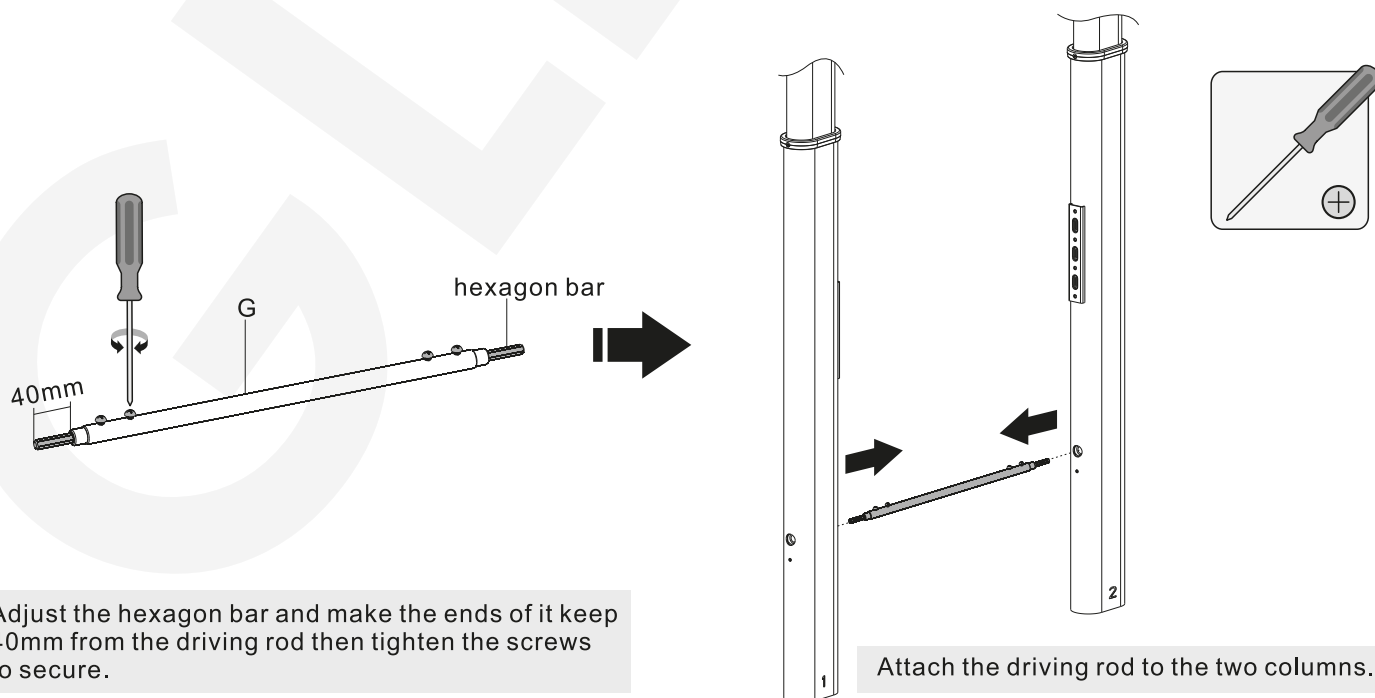




Attach the handle to the column marked with "1".
 Attach the handle to the column marked with "2".
 Turn the handle to make the inner column run upwards to the highest position.

NOTE: With the "1" and "2" mark facing forward.

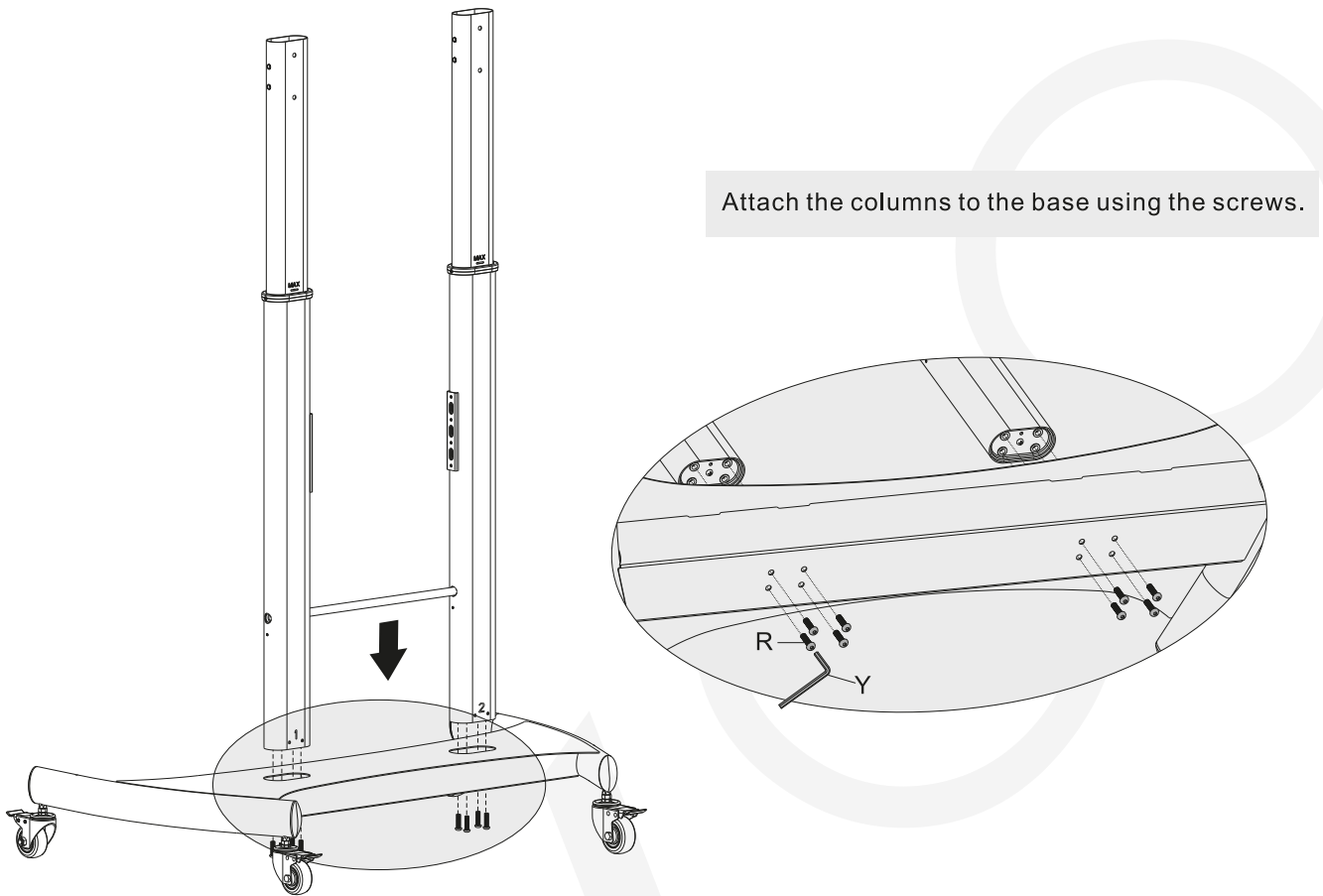
3. Attaching the Driving Rod to the Two Columns



Adjust the hexagon bar and make the ends of it keep 40mm from the driving rod then tighten the screws to secure.

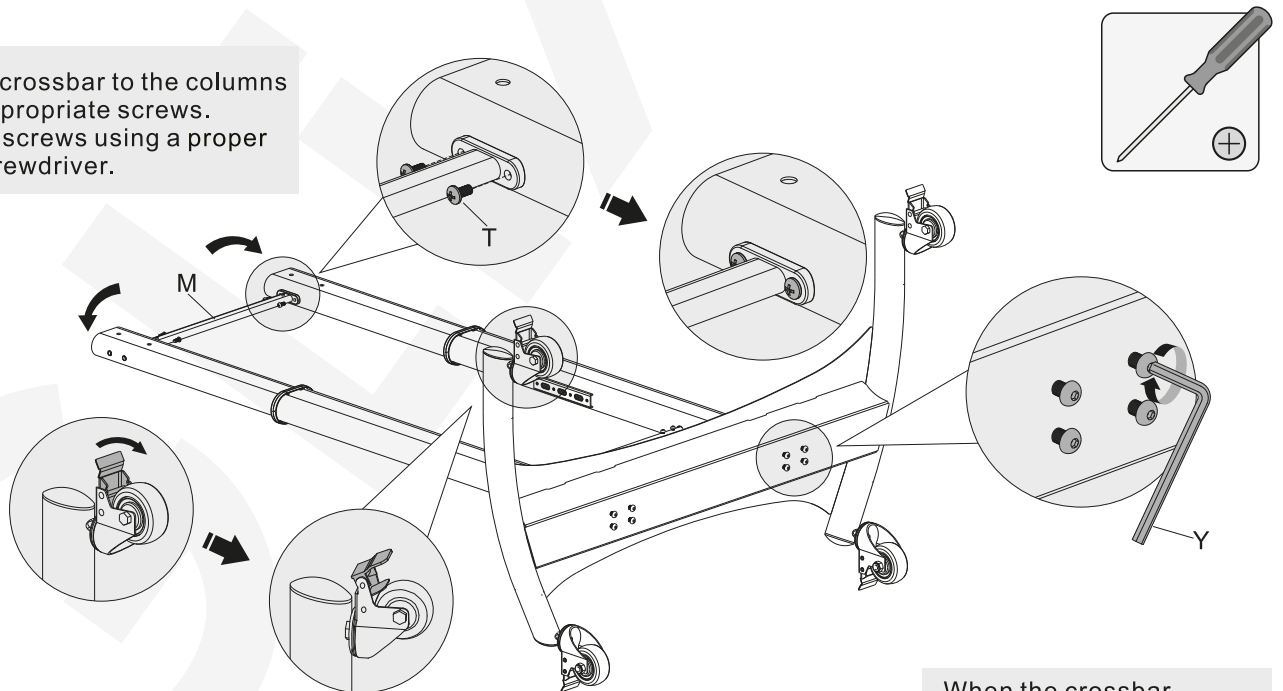
Attach the driving rod to the two columns.

4. Attaching the Columns to the Base

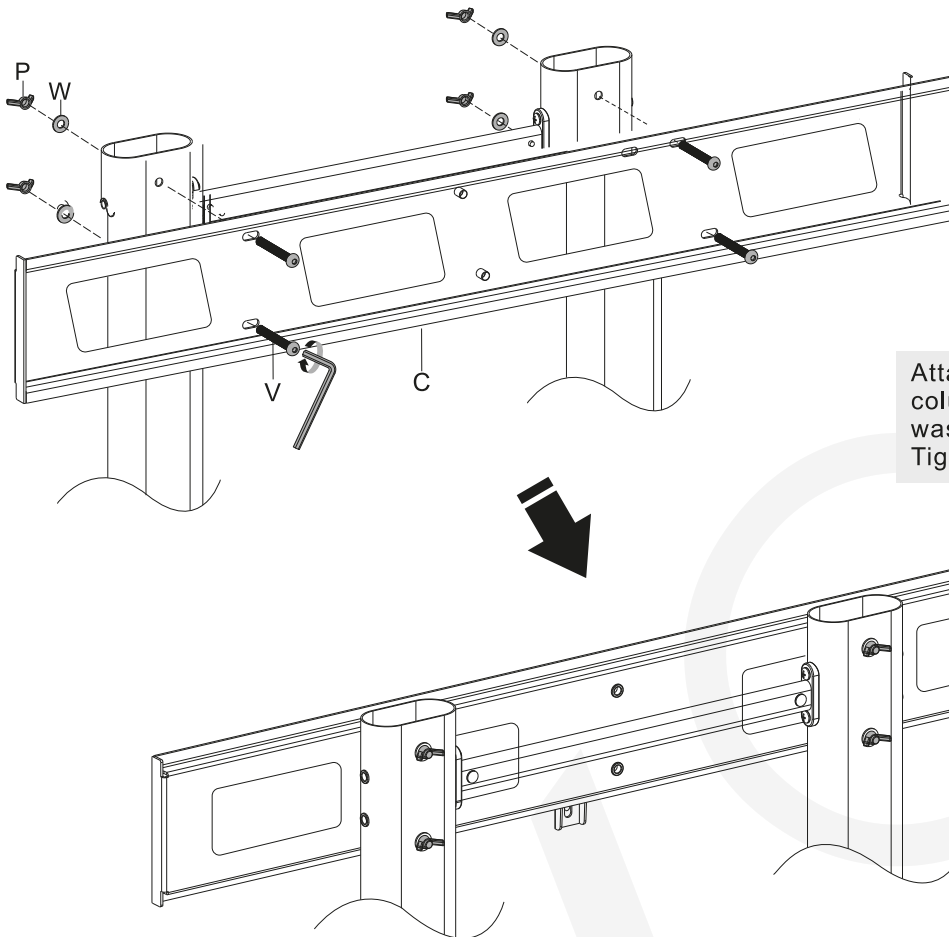


5. Installing the Crossbar

Attach the crossbar to the columns with the appropriate screws. Tighten all screws using a proper Phillips screwdriver.

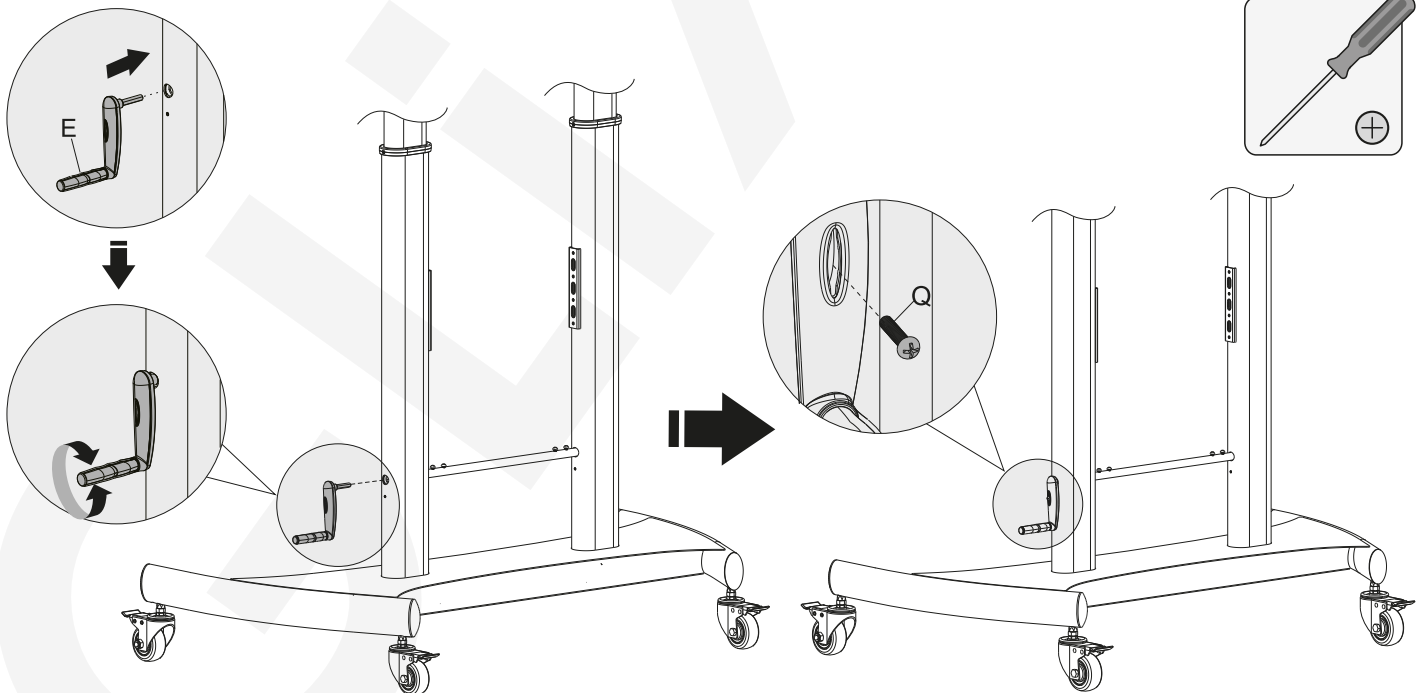


6. Installing the Universal Plate



Attach the universal plate to the columns with the appropriate screws, washers and butterfly nuts. Tighten all screws and butterfly nuts.

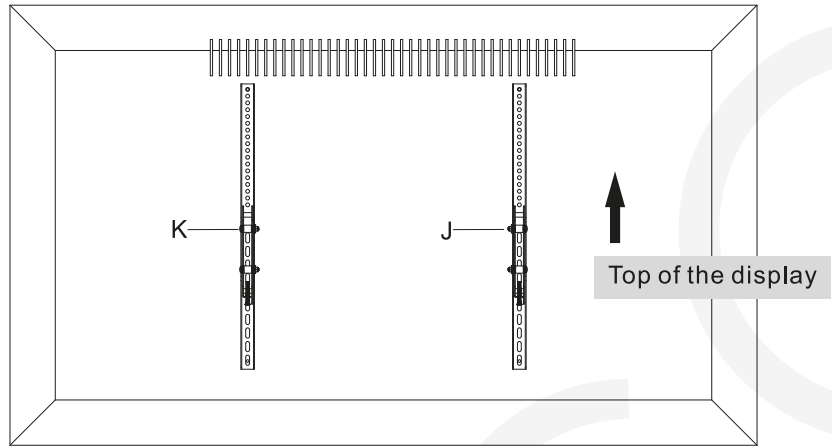
7. Adjustment



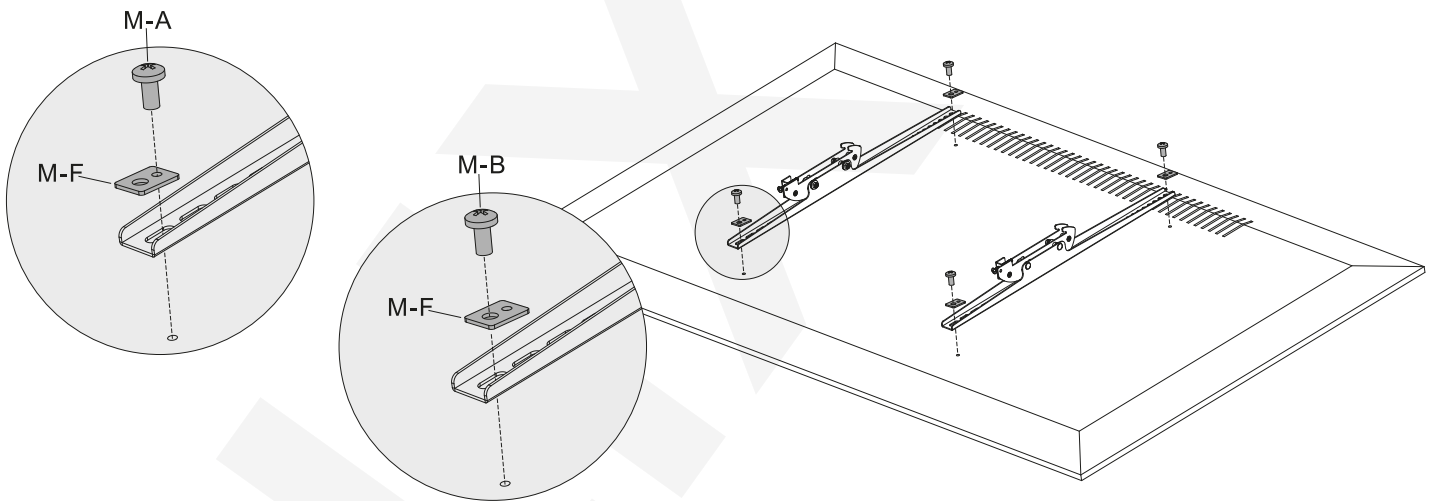
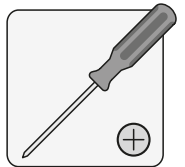
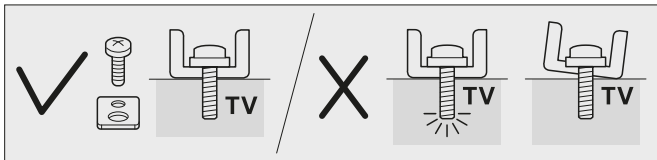
Use the handle to adjust the columns to the desired height and secure using the appropriate screw.

Tighten the screw Q to fix the crank handle, to prevent loosening of the handle leading to an accidental height adjustment

8. Installing the Adapter Brackets

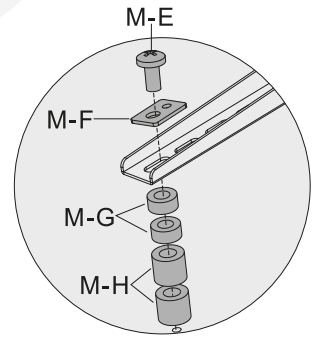
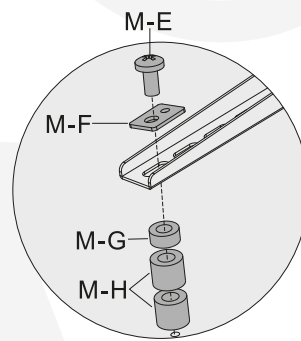
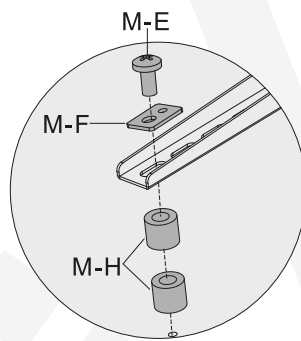
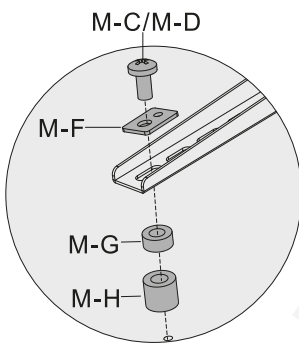
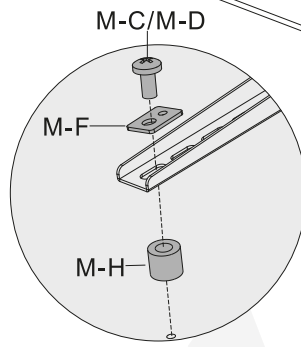
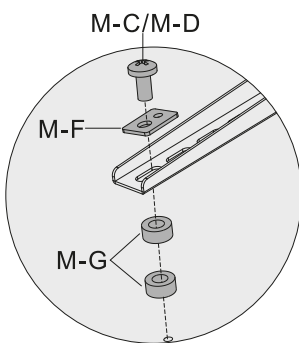
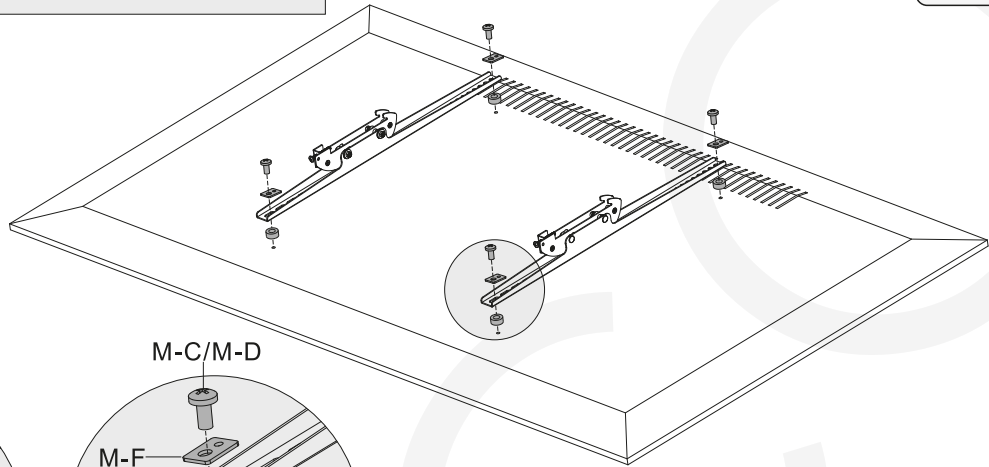
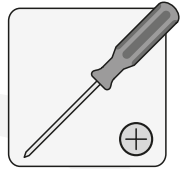
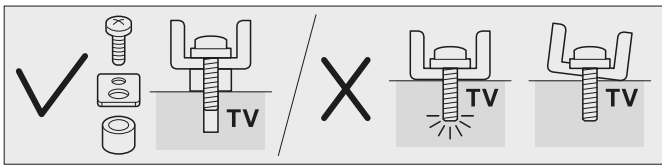


8a. For Flat Back Screens



M-A		M-B		1:1
M-F				

8b. For Screens with Irregular Back

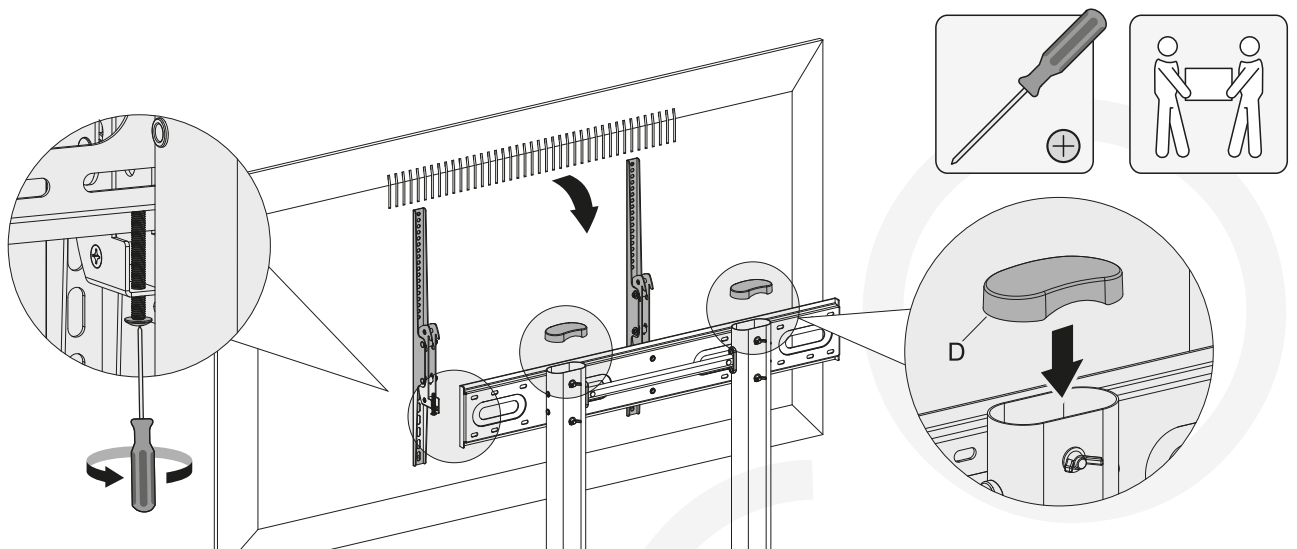


1:1			
M-C			
M-E		M-F	
M-G		M-H	

Note: Choose the appropriate screws, washers and spacers (if necessary) according to the type of screen.
 • Position the adapter brackets as close as possible to the center of the display.
 • Screw the adapter brackets onto the display.

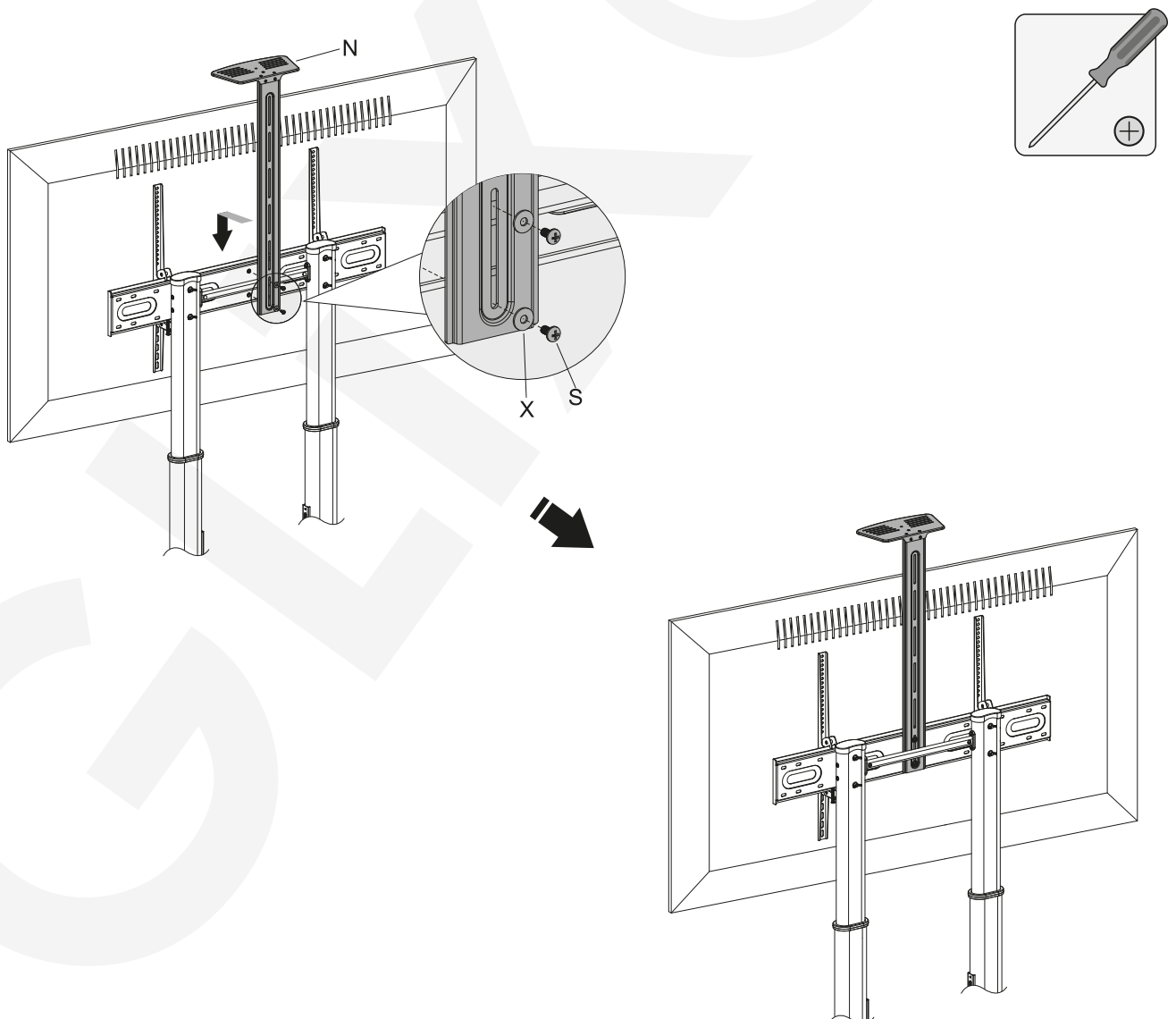
Tighten all screws but do not over tighten.

9. Hooking the Display onto the Universal Plate

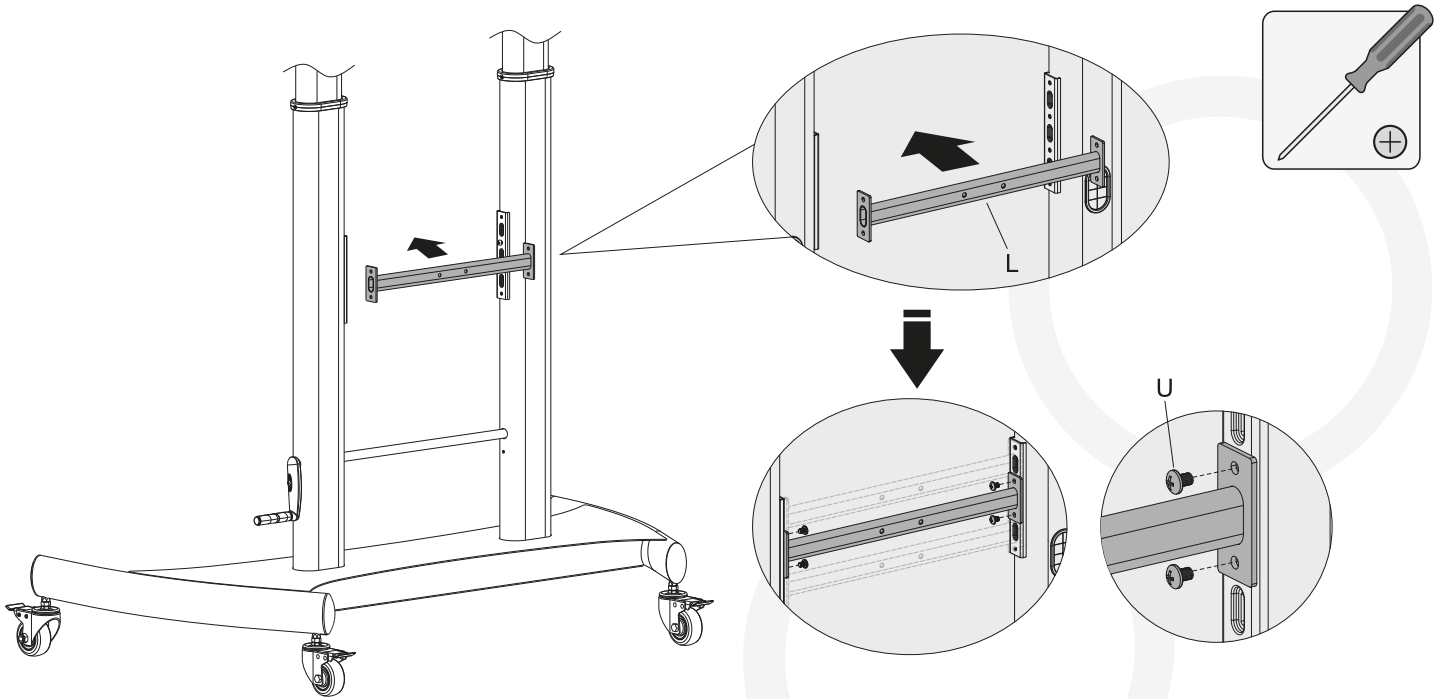


- Hook the display onto the universal plate.
 - Tighten the bottom screws to secure them.
- IMPORTANT:** Make sure the display is mounted correctly and the screws are tightened safely before releasing the display.

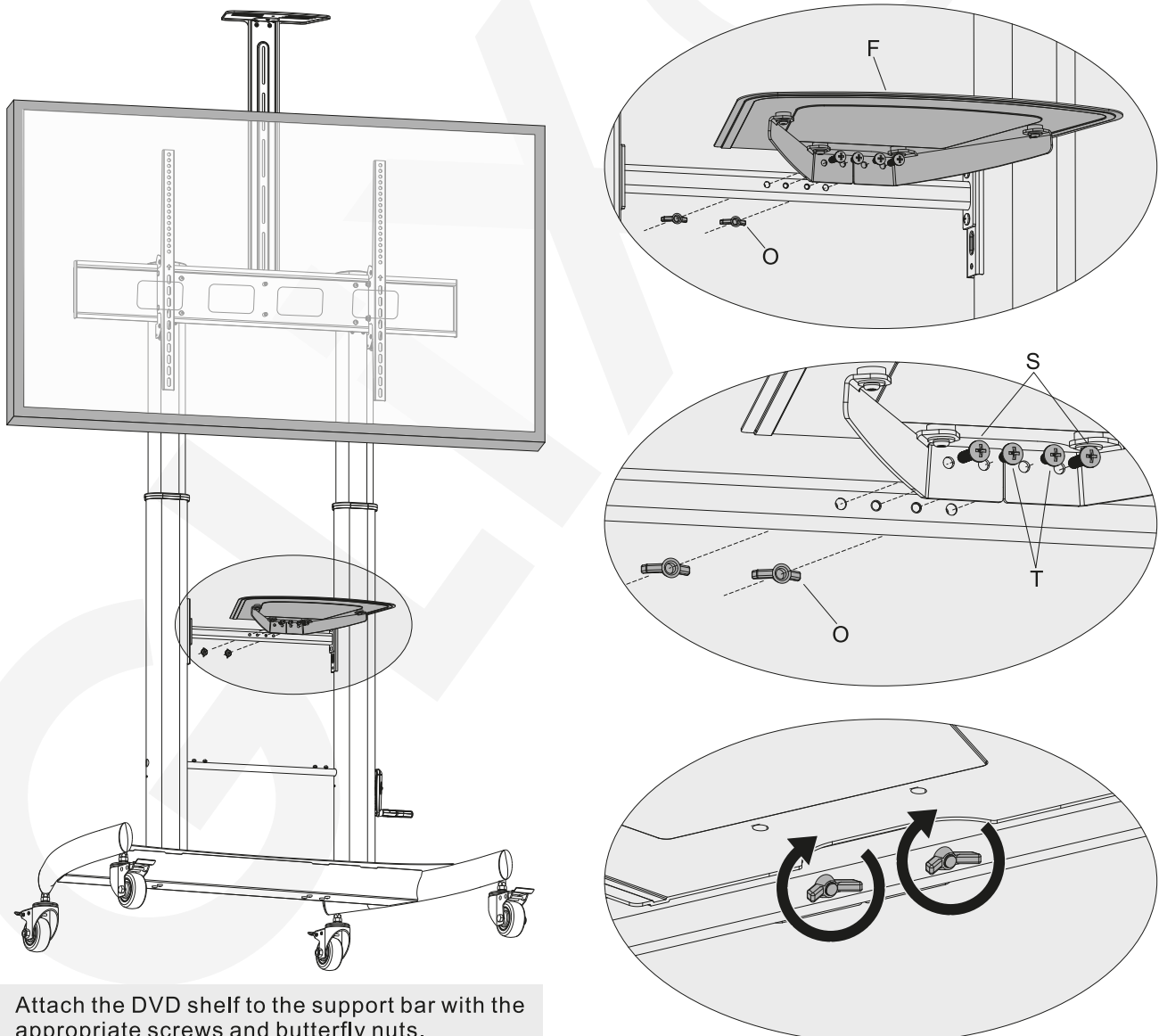
10. Installing the Camera Shelf



11. Installing the DVD Shelf



Install the support bar to the columns at the desired position and secure using the appropriate screws.



Attach the DVD shelf to the support bar with the appropriate screws and butterfly nuts. Tighten all screws and butterfly nuts to secure.