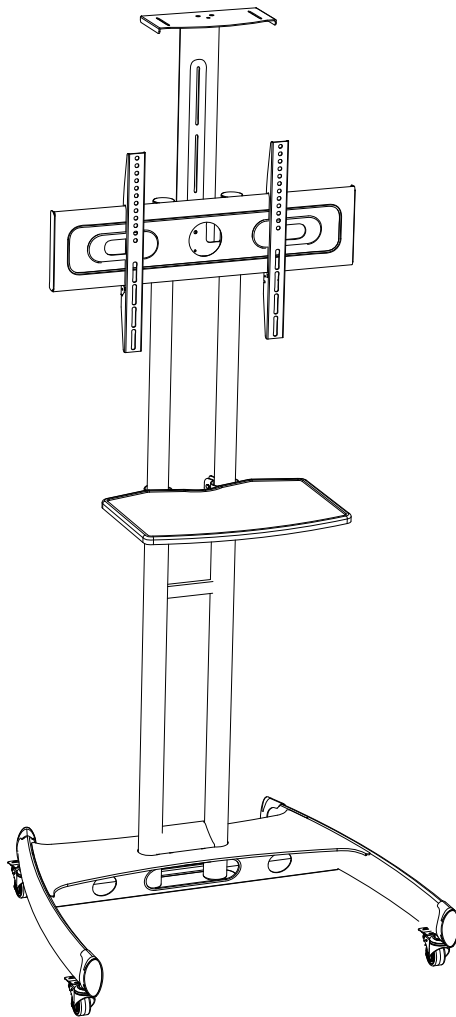



# MANUAL DE INSTALACIÓN



**SKU: AVA1500**

**EN**  Read the entire instruction manual before you start installation and assembly. If you have any questions regarding any of the instructions or warnings, please contact your local distributor for assistance.



- CAUTION:** Use with products heavier than the rated weights indicated may result in instability causing possible injury.
- Mounts must be attached as specified in assembly instructions. Improper installation may result in damage or serious personal injury.
  - Safety gear and proper tools must be used. This product should only be installed by professionals.
  - Make sure that the supporting surface will safely support the combined weight of the equipment and all attached hardware and components.
  - Use the mounting screws provided and DO NOT OVER TIGHTEN mounting screws.
  - This product contains small items that could be a choking hazard if swallowed. Keep these items away from children.
  - This product is intended for indoor use only. Using this product outdoors could lead to product failure and personal injury.

**IMPORTANT:** Ensure that you have received all parts according to the component checklist prior to installation. If any parts are missing or faulty, telephone your local distributor for a replacement.

**MAINTENANCE:** Check that the bracket is secure and safe to use at regular intervals (at least every three months).

Package 1



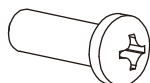
M5x25 screws (4)

A1



M6x25 screws (4)

B1



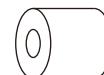
M8x25 screws (4)

C1



Φ6 Washer(4)

D1



Plastic Sleeve (4)

E1

Package 2



M8x25 screws (6)

A2



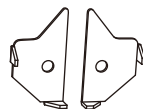
M8x55 screws (4)

B2



M5x12 screws (2)

C2



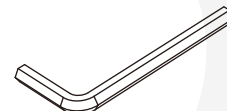
Buckle (2)

D2



Φ12 washer(4)

E2



6mm Wrench (1)

F2

Package 3



M5x10 screws (6)

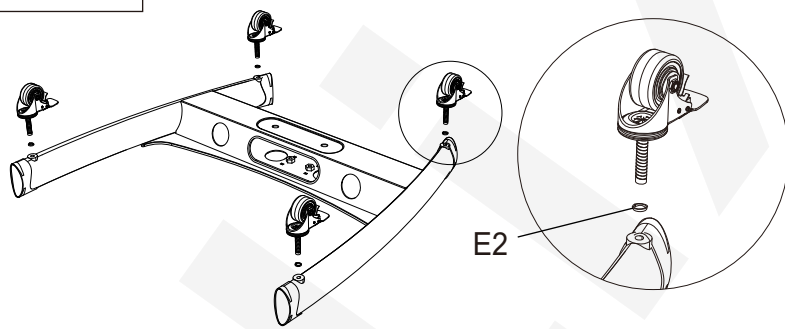
A3

These A3 screws are attached to the camera assembly.

### 3. Installation and operation instructions

Note: please read the instructions carefully before installation!

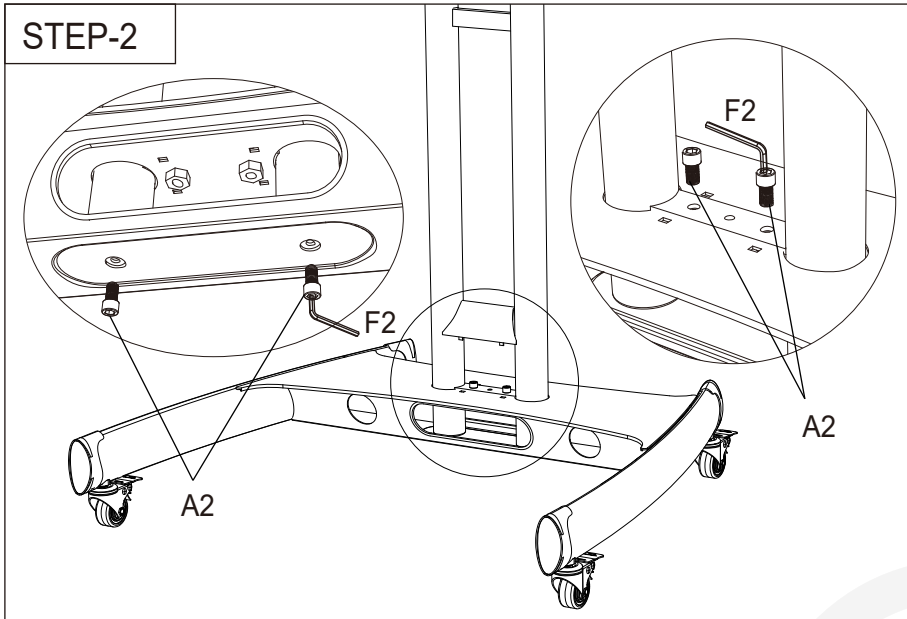
STEP-1



Step 1:

Tighten the four wheels through the washer to the base.

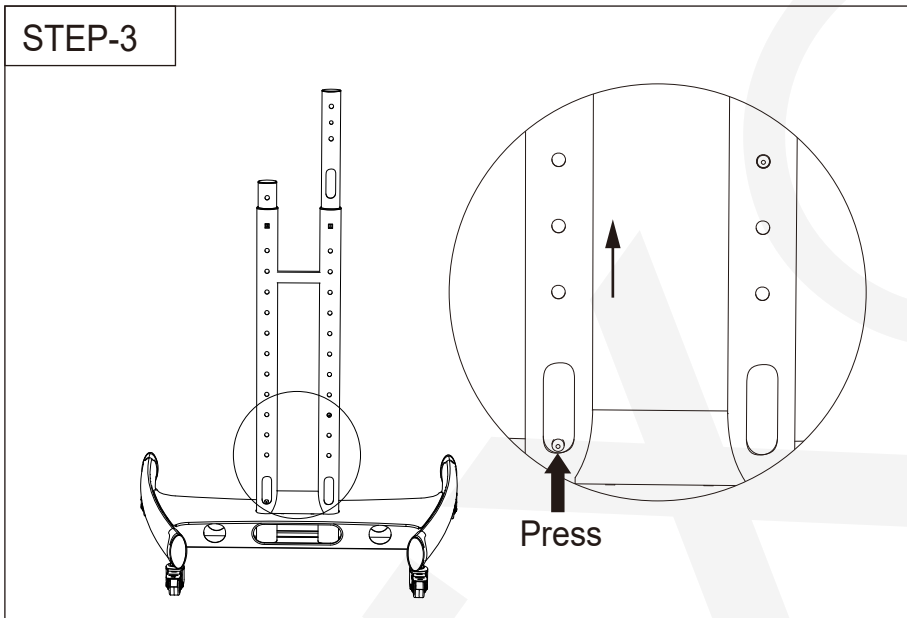
STEP-2



Step 2:

Insert the tubes into the base and tighten the screw.

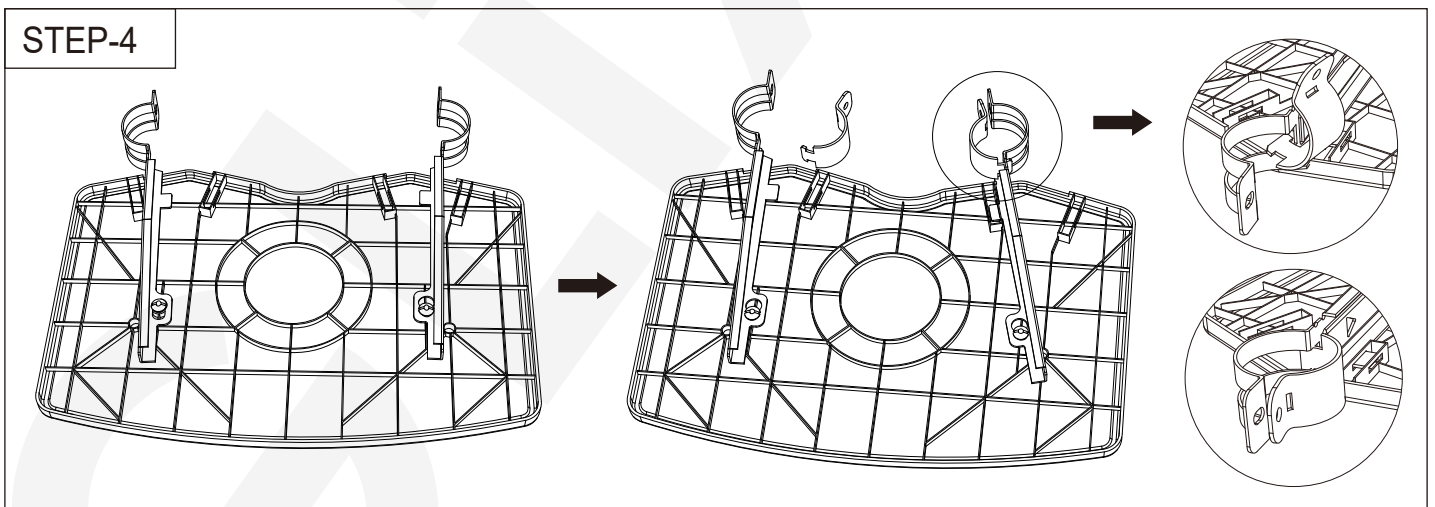
STEP-3



Step 3:

Adjust the length of the tube and keep the equal height of the two tubes.

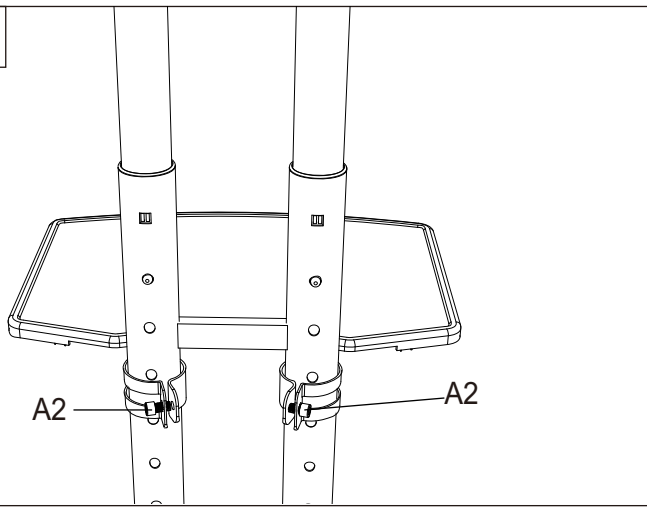
STEP-4



Step 4:

Install the tray bracket.

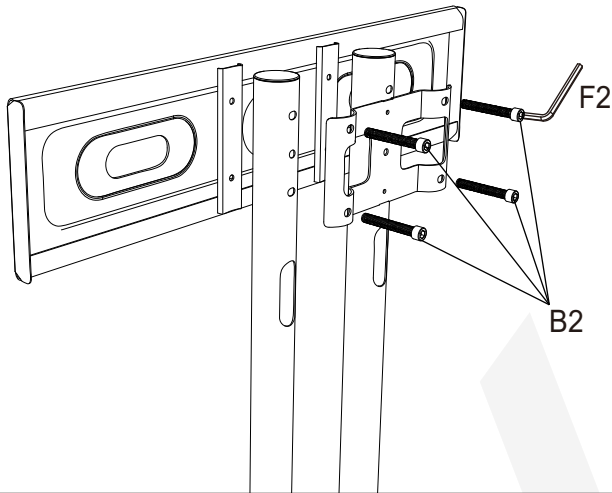
STEP-5



Step 5:

Install the tray bracket onto the tubes.

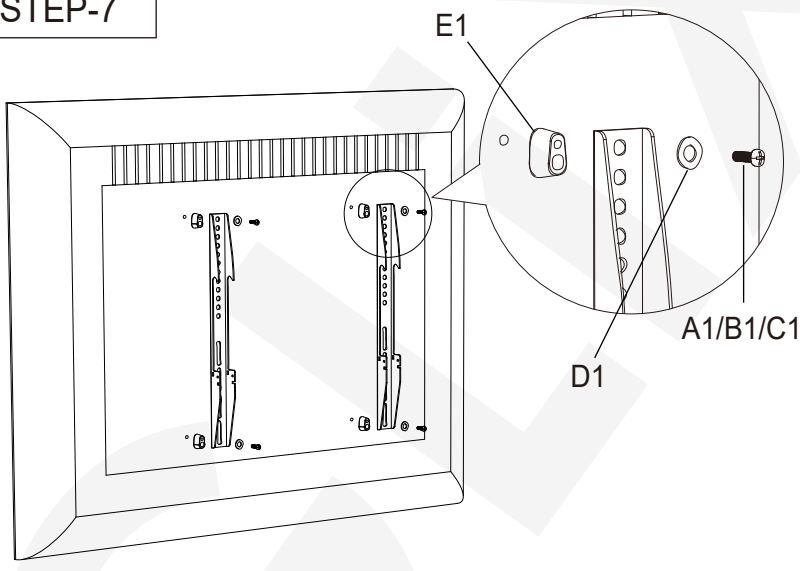
STEP-6



Step 6:

Install the TV plate onto the tubes.

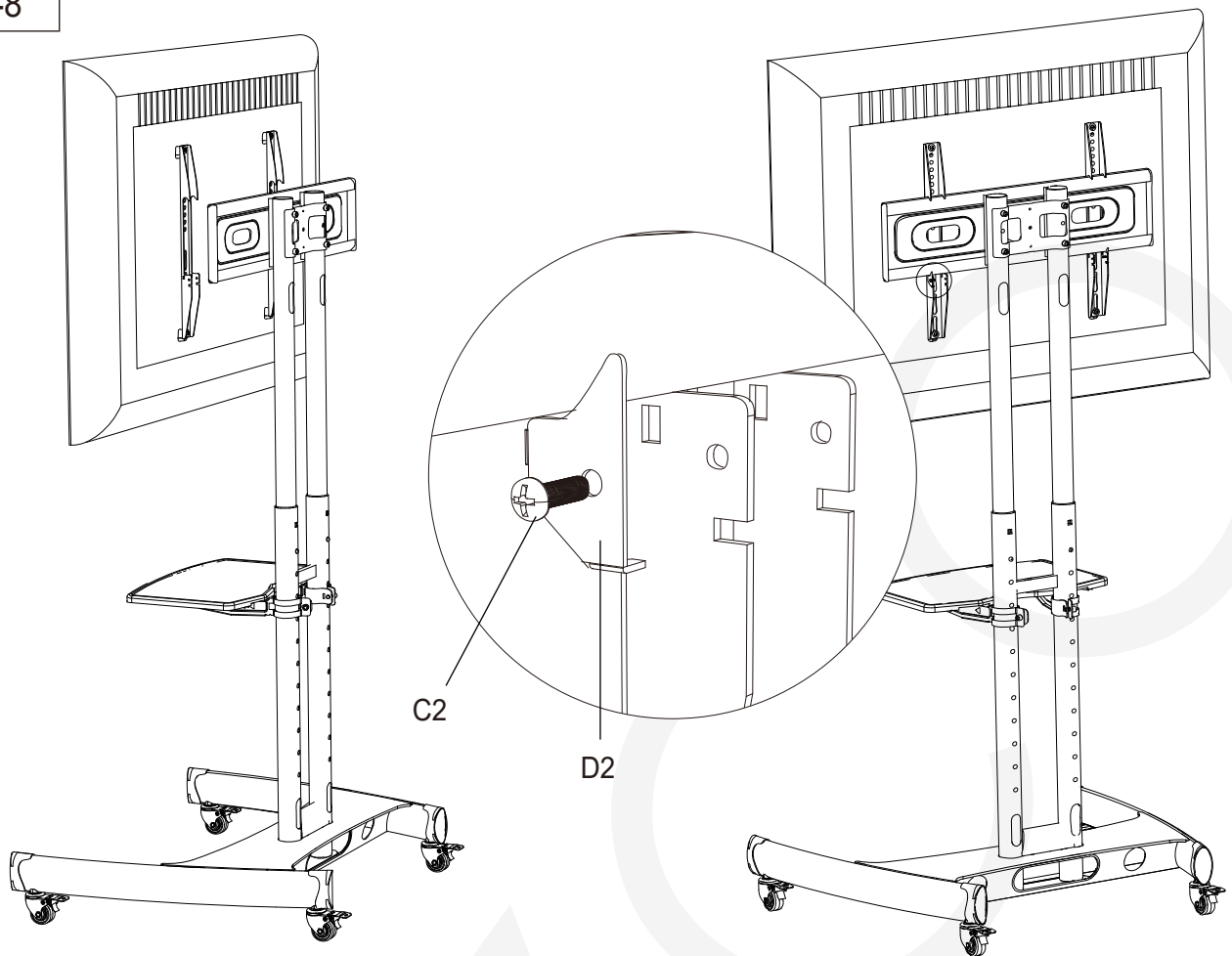
STEP-7



Step 7:

Install the TV bracket onto the back of the TV.

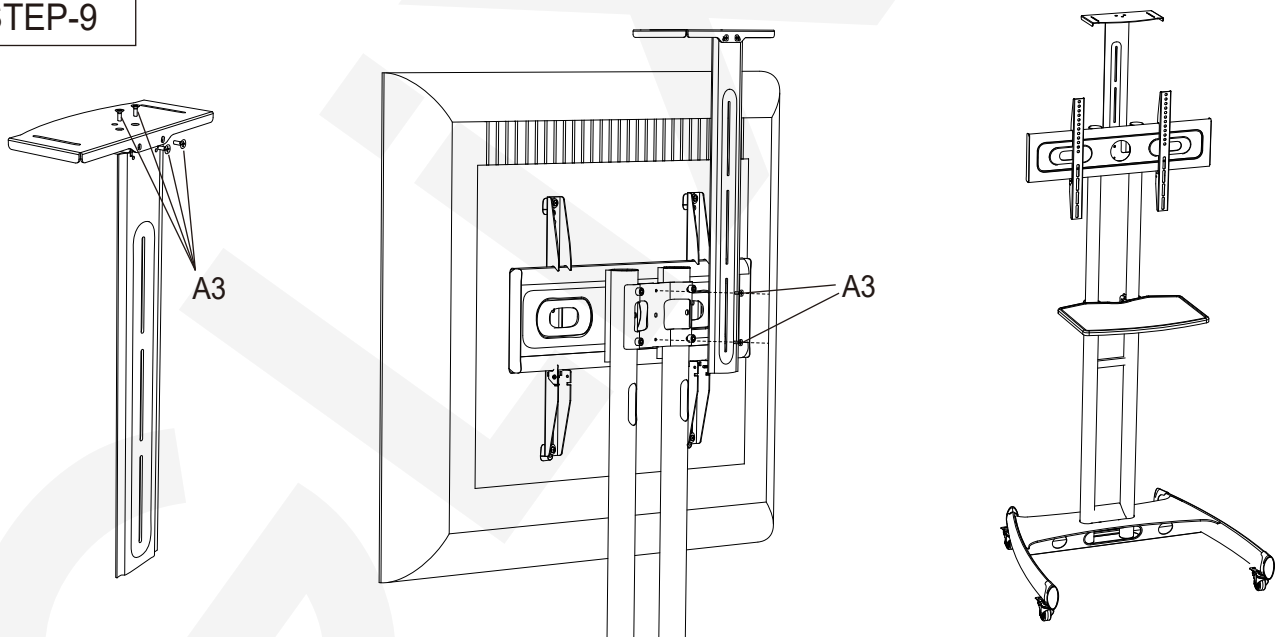
## STEP-8



Step 8:

Hang the TV onto the TV plate.

## STEP-9



Step 9:

Assemble and install the camera tray.